

Drawing



Tools for Chefs

Hendi B.V.
Steenoven 21
3911 TX Rhenen
The Netherlands

Batch #

000000 and up

Appliance part#

199992

Description

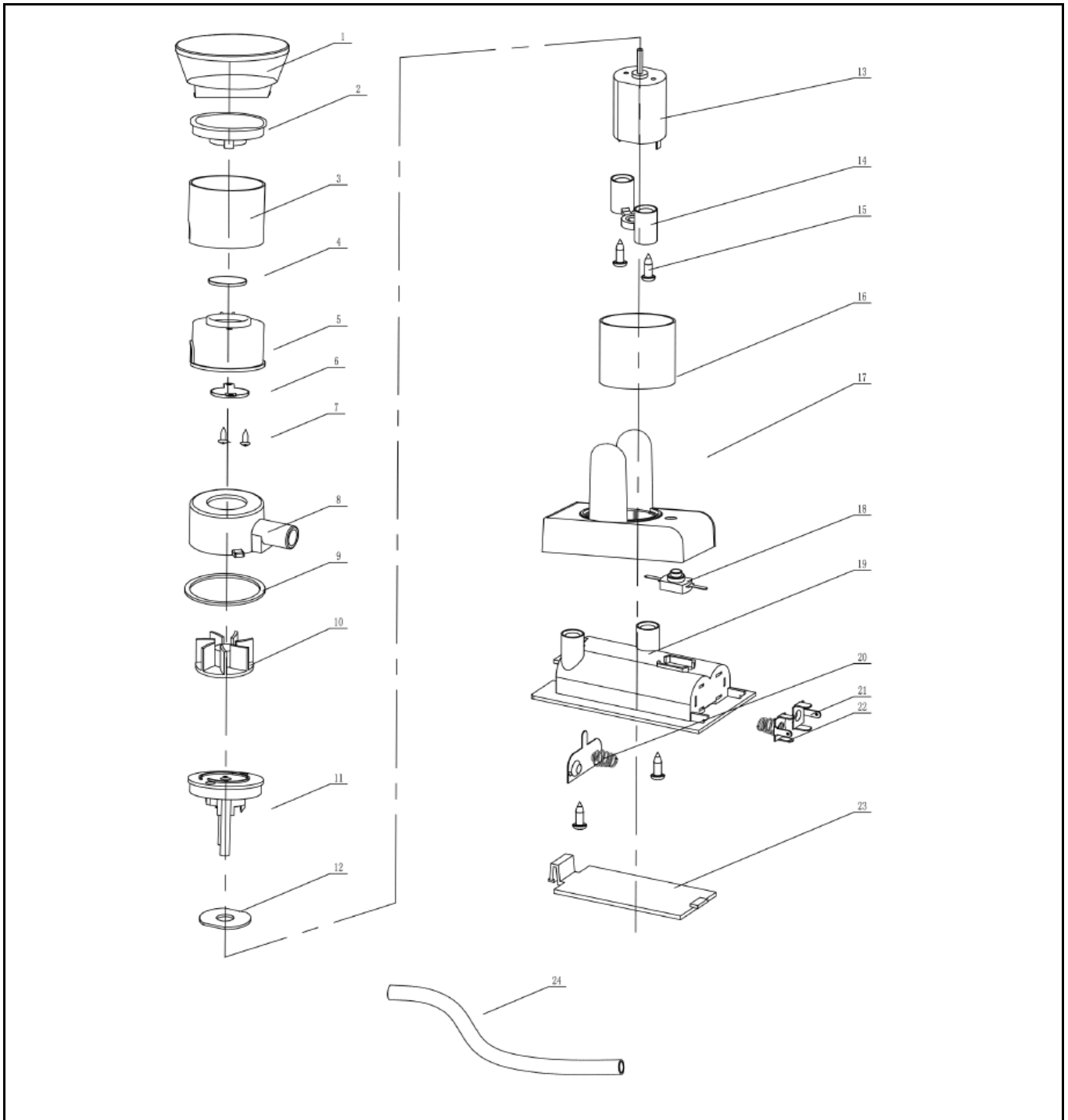
Smoke infuser

Date 22-10-2020


Revision #

Revision version

Revision First bill of materials (BOM)



Bill of materials (BOM)

 <b style="font-size: 24px; font-weight: bold;">HENDI <small style="color: green;">Tools for Chefs</small> Hendi B.V. Steenoven 21 3911 TX Rhenen The Netherlands	Batch #	Appliance part#
	000000 and up	199992
	Description	
	Smoke infuser	


Date	22-10-2020	Revision #	Revision version
Revision	First bill of materials (BOM)		

Item	Description	Part#	Quantity	Remark	Picture
1	Removeable burn chamber	956809	1	Aslo availble in assembly 956823	
2	Cover	nss	1	Available as 956823	
3	head	nss	1	Available as 956823	
4	Removeable mesh filter (5pcs)	956816	1	Aslo availble in assembly 956823	
5	Barrel complete assembly	956823	1	Incl item 1,2,3,4,5,6 and 7	
6	Oil tray	nss	1	Available as 956823	
7	Screw	nss	2	Available as 956823	
8	Nozzle	n/a	1		
9	Gasket	n/a	1		
10	Fan	n/a	1		
11	Motor holder	n/a	1		
12	Gasket	n/a	1		
13	Motor	n/a	1		
14	Holder	n/a	1		
15	Screw	n/a	4		
16	Body	n/a	1		
17	Base	n/a	1		
18	Switch	n/a	1		
19	Battery box	n/a	1		
20	Touch chip	n/a	1		
21	Touch chip	n/a	1		
22	Touch chip	n/a	1		
23	Battery cover	n/a	1		
24	Silicone hose	956830	1		

n/a -> not available

nss -> not sold separately

Circuit diagram

 HENDI Tools for Chefs Hendi B.V. Steenoven 21 3911 TX Rhenen The Netherlands	Batch #	Appliance part#
	000000 and up	199992
	Description	
	Smoke infuser	

Date	22-10-2020	Revision #	Revision version
Revision	First bill of materials (BOM)		

Not available