



Tools for Chefs

# STICK BLENDER

222157



You should read this user manual carefully before using the appliance.

Bevor Sie das Gerät in Betrieb nehmen, sollten Sie diese Gebrauchsanweisung aufmerksam lesen.

Alvorens de apparatuur in gebruik te nemen dient u deze gebruiksaanwijzing aandachtig te lezen.

Przed uruchomieniem urządzenia należy koniecznie dokładnie przeczytać niniejszą instrukcję obsługi.

Lisez attentivement ce mode d'emploi avant d'utiliser l'appareil .

Prima di utilizzare l'apparecchio in funzione leggere attentamente le istruzioni per l'uso.

Citiți cu atenție prezentul manual de utilizare înainte de folosirea aparatului.

Внимательно прочитайте руководство пользователя перед использованием прибора.

Πρέπει να διαβάσετε αυτές τις οδηγίες χρήσης προσεκτικά πριν χρησιμοποιήσετε τη συσκευή.

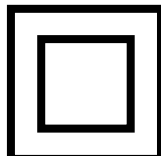
Před uvedením spotřebiče do provozu byste si měli pečlivě přečíst návod k použití.



Keep these instructions with the appliance.  
Diese Gebrauchsanweisung bitte beim Gerät aufbewahren.  
Bewaar deze handleiding bij het apparaat.  
Zachowaj instrukcję urządzenia  
Gardez ces instructions avec cet appareil.  
Conservate le istruzioni insieme all'apparecchio.  
Păstrați manualul de utilizare alături de aparat.  
Хранить руководство вместе с устройством.  
Φυλάξτε αυτές τις οδηγίες μαζί με τη συσκευή.  
Tyto pokyny uschovejte u přístroje.




For indoor use only.  
Nur zur Verwendung im Innenbereich.  
Alleen voor gebruik binnenshuis.  
Do użytku wewnątrz pomieszczeń.  
Pour l'usage à l'intérieur seulement.  
Destinato solo all'uso domestico.  
Doar pentru uz la interior.  
Использовать только в помещениях.  
Για χρήση μόνο σε εσωτερικό χώρο.  
Pouze pro vnitřní použití.



Dear Customer,

Thank you for purchasing this HENDI appliance. Read this manual carefully, paying particular attention to the safety regulations outlined below, before installing and using this appliance for the first time.

## Safety regulations

- This appliance is intended for commercial use.
- Only use the appliance for the intended purpose it was designed for as described in this manual.
- The manufacturer is not liable for any damage caused by incorrect operation and improper use.
- Keep the appliance and electrical plug away from water and other liquids. In the event the appliance falls into water, immediately remove the power plug from the socket. Do not use the appliance until it has been checked by a certified technician. Failure to follow these instructions will cause life threatening risks.
- Never attempt to open the housing of the appliance by yourself.
- Do not insert objects into the housing of the appliance.
- Do not touch the plug with wet or damp hands.
-  **Danger of electric shock!** Do not attempt to repair the appliance by yourself, repairs are only to be conducted by qualified personnel.
- **Never use a damaged appliance!** When it's damaged, disconnect the appliance from the socket and contact the retailer.
- **Warning!** Do not immerse the electrical parts of the appliance in water or other liquids.
- Never hold the appliance under running water.
- Regularly check the power plug and cord for any damage. When damaged it must be replaced by a service agent or similarly qualified person in order to avoid danger or injury.
- Make sure the cord does not come in contact with sharp or hot objects and keep it away from open fire. Never pull the power cord to unplug it from the socket, always pull the plug instead.
- Make sure that the power cord and/or extension cord do not cause a trip hazard.
- Never leave the appliance unattended during use.
- **Warning!** As long as the plug is in the socket the appliance is connected to the power source.
- Turn off the appliance before unplugging it from the socket.
- Connect the power plug to an easily accessible electrical socket so that in case of emergency the appliance can be unplugged immediately.
- Never carry the appliance by the cord.
- Do not use any extra devices that are not supplied together with the appliance.
- Only connect the appliance to an electrical outlet with the voltage and frequency mentioned on the appliance label.
- Never use accessories other than those recommended by the manufacturer. Failure to do so could pose a safety risk to the user and could damage the appliance. Only use original parts and accessories.

EN




- This appliance should not be operated by persons with reduced physical, sensory or mental capabilities, or persons that have a lack of experience and knowledge.
- This appliance should, under any circumstances, not be used by children.
- Keep the appliance and its power cord out of reach of children.
- **WARNING:** ALWAYS switch off the appliance and unplug from power socket before cleaning, maintenance or storage.

---

## Special Safety Regulations


- Use the appliance only as described in this manual. Indoor use only.
- This appliance should be operated and installed by specialized trained personnel in the kitchen of the food industry such as catering, restaurant, bar, etc.
- All maintenance, installation and repair works should be performed by specialized trained authorized technicians.
- Keep the appliance away from hot surfaces and open flames. Always operate the appliance on a level, stable, clean, heat-resistant and dry surface.
- Wear protective clothing, mask, or protective glasses if necessary during operation.
- This appliance is not intended to be operated by means of an external timer or separate remote-control system.
- **WARNING:** Keep all ventilation openings in the appliance clear of obstruction.
- **WARNING:** During operation, keep hands and utensils out of the container to reduce the risk of severe personal injury and / or damage to the blender.
- Allow at least 20 cm spacing around the appliance to avoid danger.
- **Caution!** Securely route the power cord if necessary in order to prevent unintentional pulling or contact with the moving blade.
- Do not immerse the shaft into the water or liquid less than 5cm.
- Do not continuously operate the appliance to avoid overheating the motor. The continuous operation time should not exceed over 3 minutes. Operate the appliance again, after it has been cooled.
- Do not use the machine outside the container.
- Do not touch the blade, blade guard and moving parts. Keep fingers, hair, clothing and utensils away from all moving parts.
- Do not wash the appliance with water or waterjet. Washing with water can cause leakage and increase the risk of electric shock. No parts are dishwasher safe.
- To avoid damaging the cord, do not squeeze, bend or chafe it on sharp edges. Keep it away from hot surfaces and open flames as well. Do not let rotating blades touch the power cord.
- Lay out the power cord in such a way that no unintentional pulling or tripping over is possible.
- Do not clean or store the machine unless it is completely cooled down.
- **Danger of injury!** Care should be taken when handling the sharp cutting blades during cleaning.

-  This appliance is classified as protection class II.

### Intended use

- This appliance is intended for professional use.
- This appliance is solely intended for crushing, mixing, mashing and pureeing suitable soft ingredients in a container. Any other use may lead to damage of the appliance or personal injury.
- Operating the appliance for any other purpose shall be deemed a misuse of the device. The user shall be solely liable for improper use of the device.

### Main parts of the appliance

1. ON/OFF switch  : Press and hold for continuous operation; Release the button to stop operation
2. Increase speed setting + : Increase speed between 1 to 6
3. Decrease speed setting - : Decrease speed between 1 to 6
4. LCD display: To show the speed setting
5. Handle
6. Ventilation holes
7. Detachable blending part
8. Blade
9. Blade guard
10. Main unit with motor



EN

### Preparations before operation

- Remove all protective packaging and wrapping.
- Check the appliance for completeness and transport damages. In case of incomplete delivery or damage, contact supplier immediately. DO NOT use the appliance. (See ==> Warranty).
- Clean the appliance before use (See ==> Cleaning and Maintenance).
- Make sure the appliance is completely dry.
- Preparation of the food ingredients for processing.

### Before operation

- Read this manual thoroughly and carefully before operation.
- Ensure the appliance is placed in a dry area without any obstacles to block your operation.
- Check to ensure the electrical power supply corresponds with the rating label on the appliance.
- Make sure the blending part (7) is installed firmly with the main body with motor part (10).



## Transportation

- Do not move the appliance while it is under operation. Unplug the appliance when moving to another place.
- Hold the handle part of the appliance when moving away.

## Operation

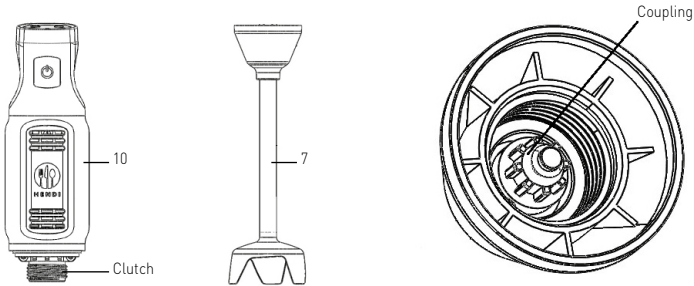
### Observe the following safety advice at all times!

- Always ensure the appliance is disconnected from the power supply before it is assembled with the blending part (7).
- Never put your hands into the food container (not supplied). Always use wooden or plastic spatulas, and only when the appliance is not running.
- Do not operating the appliance with no foodstuff inside the container or with hard foods, hot liquids, heavy dough, etc.in order to prevent overheated.
- **WARNING!** Unplug the appliance immediately after use.

## Assembling / Disassembly of the attachments

The assembly / disassembly operations of the appliance are performed with the appliance stopped and disconnected from the power supply.

### Main unit (10) and blending part (7):



#### Disassembly:

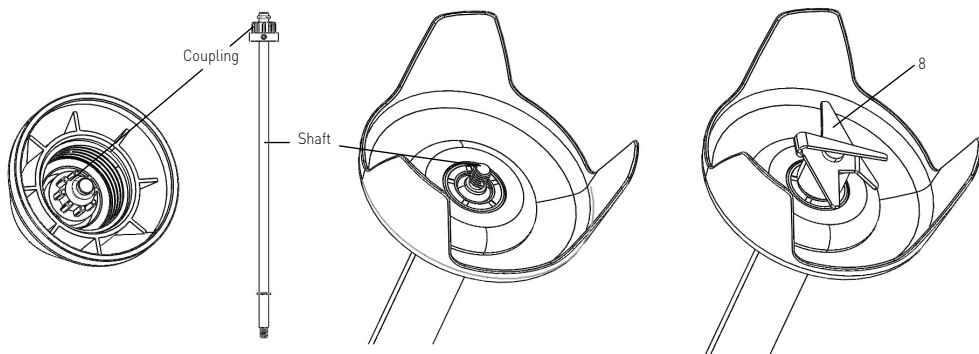
1. Hold the main unit (10) and screw out the blending part (7) by clockwise until it is fully detached.

#### Assembly:

1. Align the coupling of the blending part (7) to the clutch of the main unit (10).
2. Screw in the blending part (7) by anti-clockwise until it is fully tightened.

### Blending part (7) and blade (8):

**CAUTION!** Please wear protective gloves for disassembly (not included).



#### Disassembly:

1. Hold the coupling of the blending part (7) and screw out the blade (8) by anti-clockwise until it is fully detached.
2. Hold the blending part (7) and pull out the shaft.

#### Assembly:

1. Insert the shaft into the blending part (7) until it is fully inserted.
2. Hold the coupling of the blending part (7) and screw in the blade by clockwise until it is fully tightened.

Suitable for:	<ul style="list-style-type: none"> <li>• Blending juices and shakes</li> <li>• Mixing soft ingredients (e.g. pancake batter or mayonnaise).</li> <li>• Mixing vegetables into soup (e.g. carrots, etc.)</li> </ul>
Preparation:	<ul style="list-style-type: none"> <li>• Peel or pare food and cut them into small chunks.</li> <li>• Place the food into a suitable container of capacity 1~4 litres.</li> </ul>
Maximum continuous operation time	3 minutes to prevent motor overheated. Operate the appliance again after cool down.

EN

- Once connected to the power plug, "3" will be shown on the LCD display (4).
- Lower the blending part (7) into the food container (not supplied). Fully submerge blade (8) into the ingredients before starting the appliance. **ATTENTION:** You should not submerge the blending part (7) above the **Max.** mark.
- Hold the main unit (10) firmly with one hand and the mixing container with the other hand.
- Press and hold the ON / OFF button (1), the appliance then starts blending continuously.
- Use a gentle up-and-down motion to blend the food ingredients smoothly.
- To avoid food spattering, do not lift the appliance out of the ingredients during operation.

- Select the blade speed by pressing the + (2) or - (3) button (Speed range: 1 to 6) during operation. The blade speed will be shown on the LCD display (4).

Note: No need to press the ON/OFF button (1) when selecting the blade speed simultaneously.

- After finish operation, release the ON / OFF button (1) to switch off the appliance.
- Wait until the blade (8) stop completely. Then, unplug it from the electrical supply.
- Turn the main unit (10) clockwise to disassembly the blending part (7) for cleaning.

Note:

1. Press and hold the decreasing and increasing button + (2) or - (3) button for fast adjustment.
2. The default blade speed will be set to "3" once plug in.



## Cleaning and Maintenance

**Attention:** Always unplug the appliance from the electrical power outlet and let it cool down completely before cleaning and disassembly the blending part (7).

### Cleaning

- Remove all obstacles near the blade.
  - Place the blending arm and the bell in a suitable container with clean water and switch on for a few seconds. Never immerse the shaft above the Max. mark.
  - Never immerse the motor unit or the handle in water; clean with a damp cloth or a sponge.
- WARNING:** Always dry the blades thoroughly after cleaning to avoid rust spotting.

Recommended cleaning procedure:

Parts	How to clean	Frequency
Main unit with motor (10)	<ul style="list-style-type: none"><li>• Never immerse this part into water or other liquids.</li><li>• Using a damp cloth with some detergent and water, rinse, sanitize and dry thoroughly.</li></ul>	Clean after each use
Blending part (7)	<ul style="list-style-type: none"><li>• Clean it with warm water and some mild detergent. Do not submerge the Detachable blending part (7) above the Max. mark.</li><li>• Dry all parts before using again.</li></ul>	
Blade (8)	<ul style="list-style-type: none"><li>• Warning! Risk of injury! Take great care when cleaning the blades.</li><li>• Clean it with warm water and some mild detergent.</li><li>• Dry it thoroughly after cleaning.</li></ul>	

### Storage

- Before storage, always make sure the appliance has already been disconnected from the electrical outlet and cooled down completely.
- Store the appliance in a cool, clean and dry place and keep out of reach of the children.

### Troubleshooting

If the appliance does not function properly, please check the below table for the solution. If you are still unable to solve the problem, please contact the supplier/service provider.

Problems	Possible causes	Possible solution
Appliance does not switch on	Power plug is not connected to a suitable power supply properly.	Check to make sure the power plug is connected to a suitable electrical outlet properly.
	ON/OFF button (1) is not pressed.	Press and hold the ON/OFF button (1) to switch on the appliance.
Abnormal noises while processing	The blending part (7) is not connected correctly.	Disassembly and assembly the blending part (7) again.
Appliance cannot operate	Inside overheat devices activates.	Let the appliance cool down complete before start operation again.
Appliance is overheat	Overtime operation	Release the ON/OFF button and unplug the device, wait 10 minutes for the motor to cool down.



---

### Technical specification

Item no.: 222157

Operating voltage and frequency: 230V~ / 50Hz

Rated input power: 250W

Protection class: Class II



Waterproof protection class: IP23

Dimension: approx. 71 x 71 x (H) 444 mm

Net weight: approx. 1,6kg

Rotation speed [rpm]: approx. 6,600 to 13,500

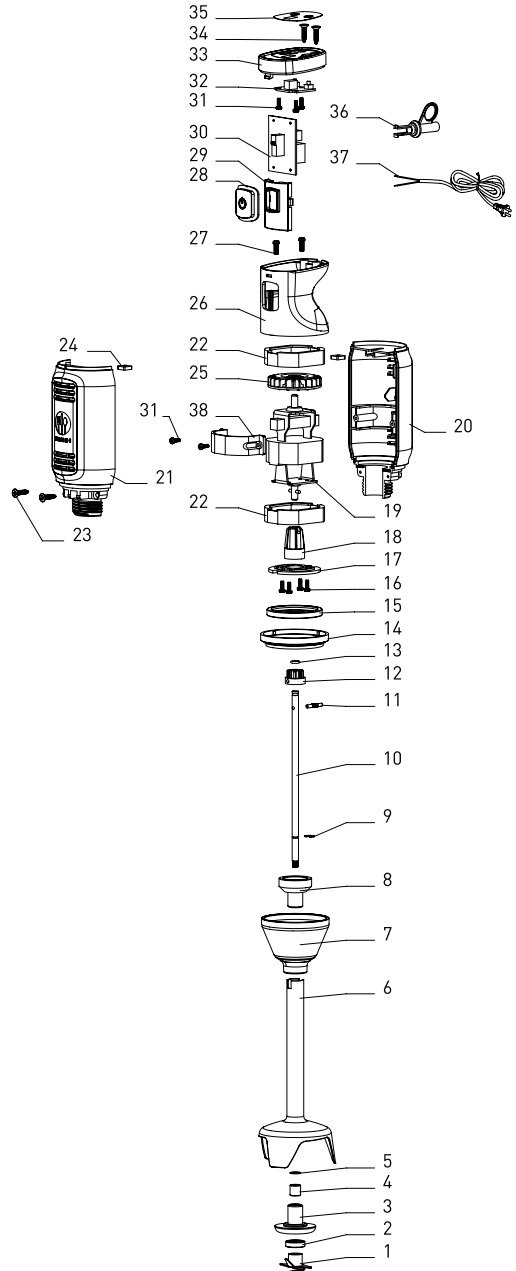
Noise level: < 85dB(A)

**Remark: Technical specification is subjected to change without prior notification.**

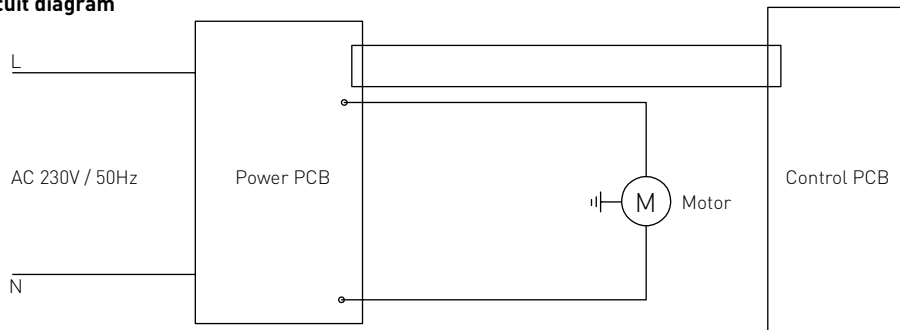


## Part list for 222157

Part no.	Part name	Quantity
1	Titanium blade assembly	1
2	Blade shaft seal ring	1
3	Fixing bushing	1
4	Bearing	1
5	Steel ring	1
6	Shaft	1
7	Head of shaft	1
8	Mounting shaft cover	1
9	E shape ring	1
10	Blade shaft	1
11	Blade shaft pin	1
12	Spline shaft	1
13	Anti-vibration seal ring	1
14	Coated ring	1
15	Anti-vibration ring for motor	1
16	Screw for motor	4
17	Motor fixing plate	1
18	Spline sleeve	1
19	Motor	1
20	Right enclosure	1
21	Left enclosure	1
22	Motor absorbing cover	2
23	Motor mounting screw	2
24	Right and left enclosure mounting nut	2
25	Motor fan	1
26	Top enclosure	1
27	All enclosures mounting screw	2
28	On / Off button rubber	1
29	Button fixing frame	1
30	Power board	1
31	Mounting screw	5
32	Control board	1
33	Upper cover	1
34	Top enclosure mounting screw	2
35	Control sticker	1
36	Strain Relief	1
37	Power cord with plug	1
38	Motor fixing frame	1



## Circuit diagram



## Warranty

Any defect affecting the functionality of the appliance which becomes apparent within one year after purchase will be repaired by free repair or replacement provided the appliance has been used and maintained in accordance with the instructions and has not been abused or misused in any way. Your statutory rights are not affected. If the appliance is claimed under warranty, state where and

when it was purchased and include proof of purchase (e.g. receipt).

In line with our policy of continuous product development we reserve the right to change the product, packaging and documentation specifications without notice.

## Discarding & Environment

When decommissioning the appliance, the product must not be disposed of with other household waste. Instead, it is your responsibility to dispose of your waste equipment by handing it over to a designated collection point. Failure to follow this rule may be penalized in accordance with applicable regulations on waste disposal. The separate collection and recycling of your waste equipment at the time of disposal will help conserve natural re-

sources and ensure that it is recycled in a manner that protects human health and the environment. For more information about where you can drop off your waste for recycling, please contact your local waste collection company. The manufacturers and importers do not take responsibility for recycling, treatment and ecological disposal, either directly or through a public system.


EN



Sehr geehrter Kunde,

Vielen Dank für den Kauf dieses Hendi Gerät. Lesen Sie dieses Handbuch sorgfältig und achten Sie besonders auf die unten aufgeführten Sicherheitsvorschriften, bevor Sie dieses Gerät zum ersten Mal installieren und verwenden.

## Sicherheitsvorschriften

- Dieses Gerät ist für den gewerblichen Gebrauch bestimmt.
- Verwenden Sie das Gerät nur für den vorgesehenen Zweck, für den es entworfen wurde, wie in diesem Handbuch beschrieben.
- Der Hersteller haftet nicht für Schäden, die durch fehlerhafte Bedienung und unsachgemäße Verwendung verursacht werden.
- Halten Sie das Gerät und den elektrischen Stecker von Wasser und anderen Flüssigkeiten fern. Falls das Gerät in Wasser fällt, entfernen Sie sofort den Netzstecker von der Steckdose. Verwenden Sie das Gerät erst, wenn es von einem zertifizierten Techniker überprüft wurde. Die Nichtbefolgung dieser Anweisungen führt zu lebensbedrohlichen Risiken.
- Versuchen Sie niemals, das Gehäuse des Geräts selbst zu öffnen.
- Legen Sie keine Objekte in das Gehäuse der Appliance ein.
- Berühren Sie den Stecker nicht mit nassen oder feuchten Händen.
-  **Gefahr eines elektrischen Schlags!** Versuchen Sie nicht, das Gerät selbst zu reparieren, Reparaturen sind nur von qualifiziertem Personal durchzuführen.
- **Verwenden Sie niemals ein beschädigtes Gerät!** Wenn es beschädigt ist, trennen Sie das Gerät von der Steckdose und wenden Sie sich an den Händler.
- **Warnung!** Tauchen Sie die elektrischen Teile des Geräts nicht in Wasser oder andere Flüssigkeiten ein.
- Halten Sie das Gerät niemals unter fließendem Wasser.
- Überprüfen Sie regelmäßig den Netzstecker und das Kabel auf Beschädigungen. Bei Beschädigung muss es durch einen Dienstleister oder eine ähnlich qualifizierte Person ersetzt werden, um Gefahren oder Verletzungen zu vermeiden.
- Stellen Sie sicher, dass das Kabel nicht mit scharfen oder heißen Gegenständen in Berührung kommt und halten Sie es von offenem Feuer fern. Ziehen Sie niemals das Netzkabel, um es von der Steckdose zu trennen, ziehen Sie stattdessen immer den Stecker.
- Stellen Sie sicher, dass das Netzkabel und/oder das Verlängerungskabel keine Auslösegefahr verursachen.
- Lassen Sie die Appliance während des Gebrauchs niemals unbeaufsichtigt.
- **Warnung!** Solange sich der Stecker in der Steckdose befindet, wird das Gerät an die Stromquelle angeschlossen.
- Schalten Sie die Appliance aus, bevor Sie sie vom Sockel trennen.
- Schließen Sie den Netzstecker an eine leicht zugängliche Steckdose an, so dass das Gerät im Notfall sofort abgenommen werden kann.

DE



- Tragen Sie das Gerät niemals an der Schnur.
- Verwenden Sie keine zusätzlichen Geräte, die nicht zusammen mit der Appliance geliefert werden.
- Schließen Sie das Gerät nur an eine Steckdose mit der Spannung und Frequenz an, die auf dem Etikett des Gerätes angegeben ist.
- Verwenden Sie niemals anderes Zubehör als das vom Hersteller empfohlene Zubehör. Andernfalls könnte ein Sicherheitsrisiko für den Benutzer darstellen und das Gerät beschädigen. Verwenden Sie nur Originalteile und Zubehör.
- Dieses Gerät sollte nicht von Personen mit eingeschränkter körperlicher, sensorischer oder geistiger Leistungsfähigkeit oder von Personen mit mangelnder Erfahrung und Kenntnissnahme betrieben werden.
- Dieses Gerät sollte unter keinen Umständen von Kindern verwendet werden.
- Bewahren Sie das Gerät und das Netzkabel außerhalb der Reichweite von Kindern auf.
- **ACHTUNG:** Schalten Sie das Gerät immer aus und ziehen Sie es vor der Reinigung, Wartung oder Lagerung von der Steckdose ab.

---

## Besondere Sicherheitsvorschriften

- Verwenden Sie das Gerät ausschließlich gemäß der Anleitung. Ausschließlich für den internen Gebrauch.
- Das Gerät ist weit entfernt von heißen Flächen und offenem Feuer zu lagern. Stellen Sie das Gerät auf eine ebene, stabile, saubere und trockene Fläche auf, die auch gegen die Einwirkung hoher Temperaturen beständig ist.
- Falls notwendig, verwenden Sie während der Bedienung des Geräts die Schutzkleidung, -maske oder -brille.
- Das Gerät ist für die Bedienung durch eine externe Schaltuhr oder ein gesondertes Fernsteuersystem nicht geeignet.
- **WARNUNG:** Verdecken Sie nicht die Belüftungsöffnungen im Gehäuse des Gerätes.
- **WARNUNG:** Stecken Sie nie ihre Hände oder das Küchenzubehör in den Behälter während des Funktionsbetriebs ein, um so das Risiko der schweren Körperverletzungen und/oder Beschädigungen des Stabmixers zu vermeiden.
- Belassen Sie einen Freiraum von mindestens 20 cm rundum das Gerät, um dieses Risiko zu vermeiden.
- **Achtung!** Führen und sichern Sie entsprechend das Netzkabel, um ein unbeabsichtigtes Ziehen oder Berühren des rotierenden Schneidmessers zu vermeiden.
- Den Stab darf man nicht in den Behälter mit Wasser oder einer anderen Flüssigkeit eintauchen, wenn ihr Niveau 5 cm nicht überschreitet.
- Verwenden Sie nicht das Gerät für lange Zeit zur Vermeidung der Überhitzung des Motors. Das Gerät sollte nicht ununterbrochen arbeiten, und zwar länger als 3 Minuten. Das Gerät kann man wieder erst nach seinem Abkühlen verwenden.
- Das Gerät darf nicht benutzt werden, wenn der Mischstab sich nicht im Behälter befindet.



- Ebenso darf man weder die Schneide noch die anderen beweglichen Teile berühren. Während des Funktionsbetriebes darf man nicht die beweglichen Teile mit der Hand als auch mit den Küchengeräten berühren; die Haare zusammenbinden.
- Waschen Sie das Gerät nicht mit einem starken Wasserstrahl. Beim Waschen des Geräts kann Wasser in den elektrischen Teil gelangen und so zu einem Stromschlag führen. Die Teile des Geräts dürfen in der Spülmaschine nicht gereinigt werden.
- Um Beschädigungen des Netzkabels zu vermeiden, darf man es weder drücken, biegen noch über scharfe Kanten hängen. Halten Sie das Netzkabel fern von heißen Flächen und einer offenen Flamme. Bringen Sie nie die rotierenden Schneidmesser in die Nähe des Netzkabels.
- Verlegen Sie das Netzkabel so, dass niemand es unbeabsichtigt zieht oder darüber stolpert.
- Reinigen und stellen Sie das Gerät nicht am Lagerort ab, bis es nicht völlig abgekühlt ist.
- **Es besteht die Verletzungsgefahr!** Seien Sie vorsichtig, wenn Sie scharfe Schneidmesser demontieren sowie reinigen.
- Der Stabmixer ist ein Gerät der II. Schutzklasse.


### Verwendungszweck

- Das Gerät ist für den professionellen Einsatz geeignet.
- Dieses Gerät ist nur zum Zerkleinern, Mischen, Pürieren, Stampfen mit geeigneten weichen Lebensmitteln in einem Behälter bestimmt. Verwendung des Gerätes für andere Zwecke kann zu

seiner Beschädigung sowie zu Körperverletzungen führen.

- Jede andere Verwendung des Gerätes gilt als nicht bestimmungsgemäß. Der Benutzer ist allein verantwortlich für die unsachgemäße Nutzung des Gerätes.

### Hauptteile des Geräts

1. EIN-/AUS-Taste  : Drücken und halten Sie sie gedrückt, um einen ununterbrochenen Betrieb
2. Erhöhung der Drehzahl + :  
Erhöhen Sie die Drehzahl - von 1 bis 6
3. Verringerung der Drehzahl - :  
Verringern Sie die Drehzahl - von 1 bis 6
4. LCD-Display: Das Display zeigt eine aktuelle Drehzahl
5. Griff
6. Lüftungsöffnungen
7. Abnehmbarer Mischstab
8. Klinge
9. Messerabdeckung
10. Haupteinheit (mit Motor)



---

## Vorbereitung vor erstem Gebrauch

- Die Verpackung und die Schutzrichtungen sind abzunehmen und zu entsorgen.
- Überprüfen Sie das Gerät auf Vollständigkeit und eventuelle Beschädigungen während des Transports. Setzen Sie sich mit dem Lieferanten in Verbindung, wenn Sie die unvollständige Lieferung oder die Beschädigungen festgestellt haben. Verwenden Sie NICHT das Gerät, wenn Sie die unvollständige Lieferung oder die Beschädigungen festgestellt haben. (Siehe ==> Garantie).
- Reinigen Sie das Gerät (siehe ==> Reinigung und Wartung).
- Prüfen Sie, ob das Gerät völlig trocken ist.
- Vorbereitung der Zutaten

---

## Vor Gebrauch

- Machen Sie sich vor der Nutzung des Geräts mit der vorliegenden Gebrauchsanweisung genau vertraut.
- Überprüfen Sie, ob das Gerät an einem trockenen Ort gestellt wurde und irgendwelche Gegenstände seinen Betrieb nicht verhindern.
- Vergewissern Sie sich, dass die Spezifikation des Gerätes auf dem Typenschild den Parametern in der Steckdose entspricht, an die das Gerät anzuschließen ist.
- Überprüfen Sie, ob der Mixstab (7) an die Haupteinheit (10) richtig angeschlossen ist.

---

## Transport

- Verlegen Sie das Gerät nicht während seines Betriebs. Trennen Sie immer zuerst das Gerät von der Elektrosteckdose, bevor Sie es an einen anderen Ort stellen.
- Halten Sie das Gerät am Handgriff, indem Sie es verlegen.

---

## Bedienung

### Beachten Sie immer die nachfolgenden Sicherheitshinweise!

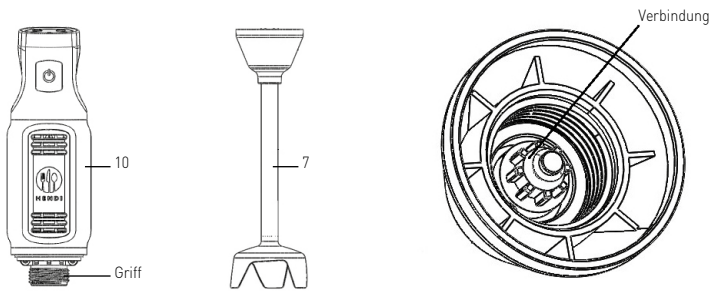
- Man muss sich immer zuerst überzeugen, ob das Gerät vor dem Anschließen des Mischstabes (7) an das Gehäuse von der Stromversorgung getrennt wurde.
- Stecken Sie nie ihre Hände in den Lebensmittelbehälter (nicht mitgeliefert) ein. Zum Mischen sind immer die Löffel (aus Holz oder Kunststoff) zu verwenden; verwenden Sie die Löffel nur dann, wenn das Gerät nicht in Betrieb genommen wird.
- Verwenden Sie das Gerät nicht, wenn der Behälter leer ist, oder zum Mixen von harten Lebensmitteln, heißen Flüssigkeiten, harter Teigmasse (usw.), um die Überhitzung des Stabmixers zu vermeiden.
- **WARNUNG!** Ziehen Sie den Stecker aus der Steckdose sofort nach der Beendigung des Betriebs des Geräts.



## Montage / Demontage

Die Montage/Demontage eines Teiles des Gerätes muss man dann durchführen, wenn das Gerät ausgeschaltet und von der Stromversorgungsquelle getrennt ist.

### Grundgerät (10) und Verschlussteil (7):



Zerlegung:

1. Halten Sie das Grundgerät (10) und schrauben Sie das Verschlussteil (7) im Uhrzeigersinn heraus, bis es sich vollständig gelöst hat.

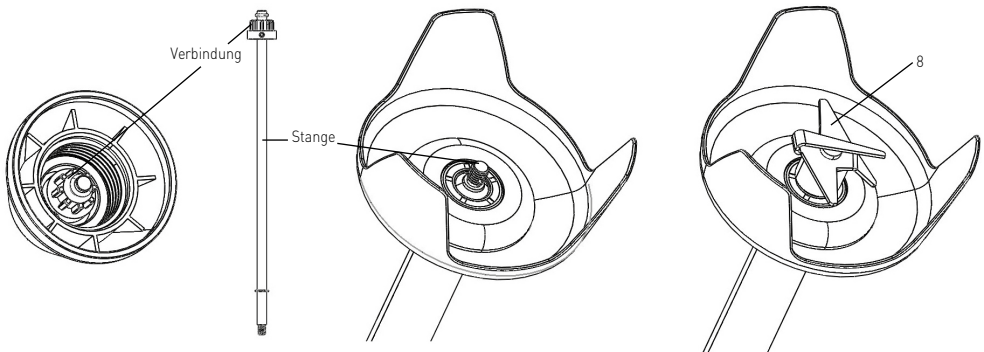
Montage:

1. Richten Sie die Kupplung des Verschlussteils (7) auf die Kupplung der Haupteinheit (10) aus.
2. Schrauben Sie das Verschlussteil (7) durch Drehen gegen den Uhrzeigersinn ein, bis es festgezogen ist.

DE

### Verschlussteil (7) und Klinge (8) ausrichten:

**VORSICHT!** Bitte tragen Sie hierbei Schutzhandschuhe (nicht im Lieferumfang enthalten).



Demontage:

1. Halten Sie die Verbindung des Verschlussteils (7) und schrauben Sie die Klinge (8) gegen den Uhrzeigersinn heraus, bis sie sich völlig gelöst hat.
2. Halten Sie das Verschlussteil (7) fest und ziehen Sie die Stange heraus.

Montage:

1. Führen Sie die Stange in die Mixereinheit (7) ein, bis diese fest verankert ist.
2. Halten Sie die Verbindung des Verschlussteils (7) und schrauben Sie das Blatt im Uhrzeigersinn an.



Das Gerät dient zum	<ul style="list-style-type: none"> <li>• Blenden von Säften oder Shakes.</li> <li>• Mixen von weichen Lebensmitteln (z.B. Crêpesmasse oder Mayonnaise).</li> <li>• Mixen von Gemüse zur Zubereitung von Suppen (z.B. Karottensuppen usw.)</li> </ul>
Zubereitung:	<ul style="list-style-type: none"> <li>• Schälen oder schneiden Sie die unnötigen Elemente der Lebensmittel weg; schneiden Sie das Gemüse/Obst in kleine Stücke.</li> <li>• Legen Sie die Lebensmittel in den entsprechenden Behälter mit einem Volumen von 1 bis 4 Litern ein.</li> </ul>
Die maximale ununterbrochene Betriebszeit beträgt	3 Minuten - der längere Betrieb des Geräts kann zur Überhitzung des Motors führen. Nehmen Sie das Gerät wieder in Betrieb, nachdem es abgekühlt ist.

- Nach dem Anschließen des Gerätes an die Elektrosteckdose erscheint auf dem LCD-Display (4) der Wert „3“.
- Jetzt ist der Mischstab (7) in den Behälter für Lebensmittel (wird dem Gerät nicht beigelegt) zu stellen. Vor der Inbetriebnahme des Gerätes ist die Klinge (8) komplett in die im Behälter vorhandenen Bestandteile zu tauchen.  
HINWEIS: Der Mischstab (7) darf niemals oberhalb des gekennzeichneten maximalen Niveaus eingetaucht werden.
- Halten Sie die Haupteinheit (10) fest mit einer Hand und den Behälter mit der anderen Hand.
- Drücken und halten Sie die EIN-/AUS-Taste (1) gedrückt - das Gerät wird ununterbrochen arbeiten.
- Bewegen Sie das Gerät langsam nach oben und nach unten, um die Zutaten gleichmäßig zu mixen.
- Nehmen Sie nicht den Mixstab aus dem Behälter heraus, wenn das Gerät arbeitet, um das Verspritzen der Mischung zu vermeiden.
- Wählen Sie die Geschwindigkeit durch drücken des Knopfes + (2) oder - (3) (Geschwindigkeit 1 bis 6) während des Betriebs. Im LCD-Display (4) wird die gewählte Drehzahl angezeigt.

Hinweis: Beim Wählen der Drehzahl, ist es nicht notwendig, die EIN-/AUS-Taste (1) gleichzeitig zu drücken.

- Geben Sie die EIN-/AUS-Taste (1) nach Beendigung des Betriebs frei, das Gerät schaltet sich aus.
- Es ist abzuwarten, bis die Klinge (8) stoppt. Anschließend ist das Gerät von der Stromversorgung zu trennen, indem man den Stecker aus der Steckdose nimmt.
- Drehen Sie jetzt das Gehäuse (10) im Uhrzeigersinn, um den Mischstab (7) abzutrennen, um ihn zu waschen.

Hinweis:

1. Drücken und halten Sie gedrückt die Taste zur Erhöhung „+“ (2) oder Verringerung „-“ (3) der Werte, um die gewünschten Werte schnell einzustellen.
2. Die voreingestellte Drehzahl der Schneidmesser ist der Wert „3“.



## Reinigung und Wartung

**Hinweis:** Vor Beginn der Reinigung und dem Abtrennen des Mischstabes (7) muss man immer zuerst das Gerät von der Stromversorgungssteckdose trennen und abwarten, bis es völlig abgekühlt ist.

### Reinigung

- Entfernen Sie alle nicht benötigten Elemente, die sich in der Nähe der Klinge befinden.
  - Der Mischstab ist mit seinem Endstück in ein entsprechendes Gefäß zu bringen, das mit reinem Wasser gefüllt ist, und dann für einige Sekunden einzuschalten. Der Mischstab darf niemals in Wasser oder in eine andere Flüssigkeit oberhalb des gekennzeichneten maximalen Niveaus eingetaucht werden.
  - Weder den Motor noch den Griff darf man in Wasser eintauchen – diese Teile sind mit einem feuchten Lappen oder Schwamm zu reinigen.
- WARNUNG:** Nach dem Abwaschen sind die Klingen genau zu trocknen, um kein Rosten zuzulassen.

Man empfiehlt die folgende Reinigungsweise des Geräts:

Teile	Reinigung	Frequenz
Haupteinheit (mit Motor) (10)	<ul style="list-style-type: none"><li>• Tauchen Sie nie die Teile in Wasser und andere Flüssigkeiten ein.</li><li>• Reinigen Sie Haupteinheit mit einem feuchten Tuch mit einem Reinigungsmittel, desinfizieren und lassen Sie sie gut austrocknen.</li></ul>	Waschen Sie diese nach jedem Gebrauch.
Mischstab (7)	<ul style="list-style-type: none"><li>• Er ist mit Wasser und der Zugabe eines milden Reinigungsmittels zu waschen. Der abgenommene Mischstab (7) darf niemals oberhalb des gekennzeichneten <b>maximalen</b> Niveaus eingetaucht werden.</li><li>• Lassen Sie alle Teile vor ihrer Wiederverwendung gut austrocknen.</li></ul>	
Klinge (8)	<ul style="list-style-type: none"><li>• <b>Warnung!</b> Es besteht die Verletzungsgefahr! Seien Sie besonders vorsichtig, wenn Sie die Schneidmesser (8) reinigen.</li><li>• Waschen Sie die Schneidmesser mit Warmwasser und einem milden Reinigungsmittel.</li><li>• Lassen Sie die Schneidmesser nach ihrem Reinigen gut austrocknen.</li></ul>	

### Lagerung

- Bevor das Gerät am Lagerort abgestellt wird, muss man sich sicherstellen, dass das Gerät vom Strom getrennt wurde und völlig abgekühlt ist.
- Lagern Sie das Gerät an einem kühlen, sauberen Ort außerhalb der Reichweite von Kindern.

## Fehlerbeseitigung

Wenn das Gerät nicht richtig funktioniert, muss man sich zum Finden der richtigen Lösung mit der nachfolgenden Tabelle vertraut machen. Wenn Sie

das Problem nicht lösen können, dann setzen Sie sich bitte mit dem Lieferanten in Verbindung.


Problem	Mögliche Ursache	Mögliche Lösung
Das Gerät schaltet sich nicht ein.	Der Stecker ist an die Stromquelle nicht richtig angeschlossen.	Überprüfen Sie, ob der Stecker an die entsprechende Steckdose richtig angeschlossen ist.
	Die EIN-/AUS-Taste (1) wurde nicht eingeschaltet.	Um das Gerät in Betrieb zu setzen, drücken und halten Sie die EIN-/AUS-Taste (1) gedrückt.
Beim Mixen der Lebensmittel erzeugt das Gerät ein nicht standardmäßiges Geräusch.	Der Mischstab (7) wurde nicht richtig angeschlossen.	Abtrennen und erneutes Anschließen des Mischstabes (7).
Das Gerät funktioniert nicht.	Die eingebaute Sicherung vor dem Überhitzen wurde aktiviert.	Lassen Sie das Gerät abkühlen, bevor Sie es wieder in Betrieb setzen.
Es kam zum Überhitzen des Gerätes.	Zu lange Betriebszeit des Gerätes.	Freigabe der Taste ON/OFF und Abtrennen des Gerätes von der Stromversorgung; 10 Minuten abwarten, bis der Motor abgekühlt ist.

## Technische Spezifikation

Bestellnummer: 222157

Betriebsspannung und Frequenz: 230V~ / 50Hz

Nennleistungsaufnahme: 250W

Schutzklasse: Klasse II 

Wasserbeständigkeitsklasse: IP23

Abmessungen: ca. 71 x 71 x (Höhe) 444 mm

Nettogewicht: ca. 1,6kg

Drehzahl (Dreh./Min.): ca. 6,600 bis 13,500

Lärmpegel: < 85dB(A)

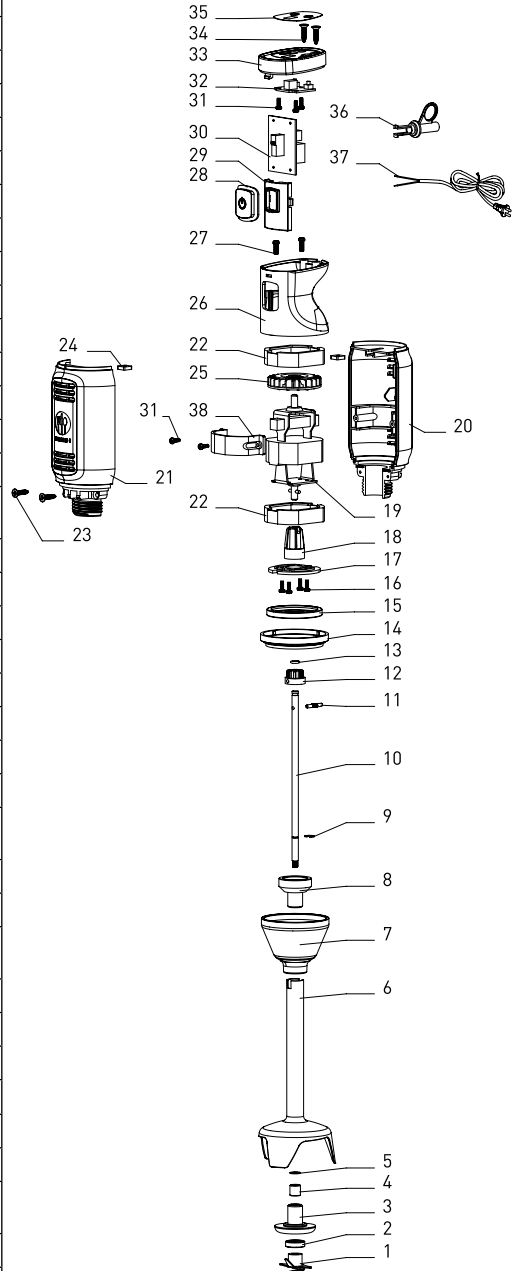
DE

**Hinweis: Die technische Spezifikation kann ohne Vorankündigung verändert werden.**



## Teilverzeichnis für das Modell 222157

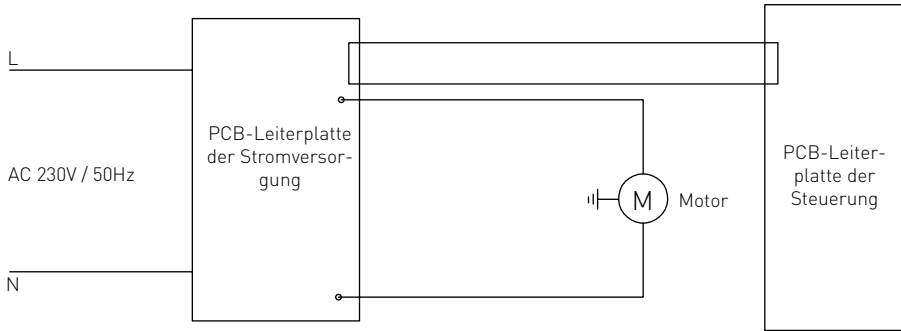
Nummer des Teiles	Bezeichnung des Teiles	Anzahl
1	Titan-Klingenbaugruppe	1
2	Dichtring der Messerwelle	1
3	Fixierbuchse	1
4	Lager	1
5	Stahlring	1
6	Welle	1
7	Kopf der Welle	1
8	Montageschachtabdeckung	1
9	E-förmiger Ring	1
10	Messerwelle	1
11	Klingenwellenstift	1
12	Keilwelle	1
13	Vibrationsdämpfender Dichtring	1
14	Beschichteter Ring	1
15	Vibrationsdämpfender Ring für den Motor	1
16	Schraube für Motor	4
17	Motorbefestigungsplatte	1
18	Keilbuchse	1
19	Motor	1
20	Rechtes Gehäuse	1
21	Linkes Gehäuse	1
22	Motorabsorbierende Abdeckung	2
23	Motorbefestigungsschrauben	2
24	Rechte und linke Gehäusemontagemutter	2
25	Motorlüfter	1
26	Oberes Gehäuse	1
27	Universelle Befestigungsschraube für Gehäuse	2
28	Gummierte Ein/Aus-Taste	1
29	Mit Knöpfen befestigter Rahmen	1
30	Netzplatine	1
31	Befestigungsschrauben	5
32	Schalttafel	1
33	Obere Abdeckung	1
34	Befestigungsschraube für das obere Gehäuse	2
35	Kontrollaufkleber	1
36	Zugentlastung	1
37	Netzkabel mit Stecker	1
38	Motorbefestigungsrahmen	1



DE



## Elektroschema



## Garantie

Alle innerhalb von einem Jahr nach dem Kaufdatum festgestellten Defekte oder Mängel, die die Funktionalität des Gerätes beeinträchtigen, werden auf dem Wege der unentgeltlichen Reparatur bzw. des Austausches unter der Voraussetzung beseitigt, dass das Gerät in einer der Bedienungsanleitung gemäßen Art und Weise betrieben und gewartet wird und weder vorsätzlich vernichtet noch nicht bestimmungsgemäß genutzt wurde. Ihre Rechte aus den entsprechenden Gesetzen

bleiben davon unberührt. Eine in der Garantiefrist einzureichende Beanstandung hat die Angabe des Kaufortes und Kaufdatums und in der Anlage einen Kaufbeleg (z.B. Kassenzettel) zu enthalten.

Gemäß unserer Politik der ständigen Weiterentwicklung unserer Produkte behalten wir uns vor, Änderungen am Produkt, an seiner Verpackung und an den dokumentierten technischen Daten ohne vorherige Ankündigung vorzunehmen.

DE

## Entsorgung und Umweltschutz

Wird das Gerät außer Betrieb genommen, darf es nicht über den Hausmüll entsorgt werden. Der Benutzer ist für die Übergabe des Gerätes an eine geeignete Sammelstelle für Altgeräte verantwortlich. Die Nichteinhaltung dieser Regel kann gemäß den geltenden Vorschriften über die Abfallentsorgung bestraft werden. Die getrennte Sammlung und das Recycling der Altgeräte trägt zur Schonung der natürlichen Ressourcen bei und sorgt für eine

umwelt- und gesundheitsschonende Verwertungsweise.


Weitere Informationen darüber, wo Sie Ihre Altgeräte entsorgen können, erhalten Sie bei Ihrem örtlichen Entsorgungsunternehmen. Der Hersteller und der Importeur übernehmen keine Verantwortung für das Recycling sowie die umweltfreundliche Verwertung von Abfällen, weder direkt noch über ein öffentliches System.



Geachte klant,

Bedankt voor de aanschaf van dit Hendi apparaat. Lees deze handleiding zorgvuldig door, met bijzondere aandacht voor de onderstaande veiligheidsvoorschriften, voordat u dit apparaat voor de eerste keer installeert en gebruikt.

## Veiligheidsvoorschriften


- Dit apparaat bedoeld voor commerciële doeleinde.
- Gebruik het apparaat alleen voor het beoogde doel waarvoor het is ontworpen, zoals beschreven in deze handleiding.
- De fabrikant is niet aansprakelijk voor enige schade veroorzaakt door onjuist gebruik en onjuist gebruik.
- Houd het apparaat en de stekker uit de buurt van water en andere vloeistoffen. Als het apparaat in water valt, haal dan onmiddellijk de stekker uit het stopcontact. Gebruik het apparaat niet totdat het is gecontroleerd door een gecertificeerde technicus. Het niet volgen van deze instructies zal levensbedreigende risico's veroorzaken.
- Probeer nooit de behuizing van het apparaat zelf te openen.
- Plaats geen objecten in de behuizing van het apparaat.
- Raak de stekker niet aan met natte of vochtige handen.
-  **Gevaar voor een elektrische schok!** Probeer het apparaat niet zelf te repareren, reparaties mogen alleen worden uitgevoerd door gekwalificeerd personeel.
- **Gebruik nooit een beschadigd apparaat!** Wanneer het apparaat beschadigd is, koppelt u het apparaat los van het stopcontact en neemt u contact op met de detailhandelaar.
- **Waarschuwing!** Dompel de elektrische onderdelen van het apparaat niet onder in water of andere vloeistoffen.
- Houd het apparaat nooit onder stromend water.
- Controleer regelmatig de stekker en het snoer op eventuele schade. Bij beschadiging moet het worden vervangen door een serviceagent of een gelijkwaardig gekwalificeerd persoon om gevaar of letsel te voorkomen.
- Zorg ervoor dat het snoer niet in contact komt met scherpe of hete voorwerpen en houd het uit de buurt van open vuur. Trek nooit aan het netsnoer om het uit het stopcontact te halen, trek altijd aan de stekker.
- Zorg ervoor dat het netsnoer en/of het verlengsnoer geen struikelgevaar veroorzaken.
- Laat het apparaat nooit onbeheerd achter tijdens het gebruik.
- **Waarschuwing!** Zolang de stekker in het stopcontact zit, is het apparaat aangesloten op de stroombron.
- Schakel het toestel uit voordat u het uit het stopcontact haalt.
- Sluit de stekker aan op een gemakkelijk toegankelijk stopcontact, zodat het apparaat in geval van nood onmiddellijk kan worden losgekoppeld.
- Draag het apparaat nooit bij het snoer.
- Gebruik geen extra apparaten die niet samen met het apparaat worden geleverd.

- Sluit het apparaat alleen aan op een stopcontact met de spanning en frequentie vermeld op het etiket van het apparaat.
- Gebruik nooit andere accessoires dan die welke door de fabrikant worden aanbevolen. Als u dit niet doet, kan dit een veiligheidsrisico vormen voor de gebruiker en kan het apparaat beschadigen. Gebruik alleen originele onderdelen en accessoires.
- Dit apparaat mag niet worden gebruikt door personen met verminderde fysieke, zintuiglijke of mentale vermogens, of personen met een gebrek aan ervaring en kennis.
- Dit apparaat mag in geen geval door kinderen worden gebruikt.
- Houd het apparaat en het netsnoer buiten het bereik van kinderen.
- **WAARSCHUWING:** schakel het apparaat ALTIJD uit en haal de stekker uit het stopcontact voor reiniging, onderhoud of opslag.

## Bijzondere veiligheidsvoorschriften

- Gebruik het apparaat alleen zoals beschreven in deze handleiding. Alleen voor gebruik binnenshuis.
- Dit apparaat moet worden gebruikt en geïnstalleerd door gespecialiseerd en getraind personeel in keukens van cateringbedrijven, restaurants, bars, etc.
- Alle onderhouds-, installatie- en reparatiewerkzaamheden moeten worden uitgevoerd door gespecialiseerde en getrainde technici.
- Houd het apparaat uit de buurt van hete oppervlakken en open vuur. Gebruik het apparaat altijd op een vlakke, stabiele, schone, hittebestendige en droge ondergrond.
- Draag tijdens gebruik indien nodig beschermende kleding, een masker of veiligheidsbril.
- Dit apparaat is niet bedoeld om gebruikt te worden in combinatie met een externe timer of een apart afstandsbedieningssysteem.
- **WAARSCHUWING:** Houd alle ventilatieopeningen op het apparaat vrij.
- **WAARSCHUWING:** Houd uw handen en keukengerei tijdens gebruik uit de container om het risico op ernstig lichamelijk letsel en / of schade aan de blender te beperken.
- Laat minimaal 20 cm ruimte vrij rond het apparaat om gevaar te voorkomen.
- **Let op!** Plaats het netsnoer indien nodig op een veilige manier om te voorkomen dat het netsnoer in contact kan komen met het bewegende mes en dat er per ongeluk aan het netsnoer kan worden getrokken.
- Dompel de schacht niet onder in water of vloeistof met een hoogte van minder dan 5cm.
- Gebruik het apparaat niet continu om oververhitting van de motor te voorkomen. U mag het apparaat niet langer dan 3 minuten continu gebruiken. Laat het apparaat afkoelen en gebruik het daarna opnieuw.
- Gebruik het apparaat niet buiten de container.
- Raak het mes, de beschermkap en de bewegende onderdelen niet aan. Houd vingers, haren, kleding en keukengerei uit de buurt van de bewegende onderdelen.
- Was het apparaat niet met water of een waterstraal. Wassen met water kan lekkage veroorzaken en het risico op elektrische schokken verhogen. Geen van de onderdelen zijn vaatwasmachinebestendig.




- Om schade aan het netsnoer te voorkomen, mag het niet worden gebogen, samengeknepen of over scherpe randen worden gehangen. Houd het ook uit de buurt van hete oppervlakken en open vuur. Laat de draaiende messen niet in contact komen met het netsnoer.
- Zorg ervoor dat het netsnoer zodanig is geplaatst, dat er niet per ongeluk aan kan worden getrokken of over kan worden gestruikeld.
- Niet reinigen of opbergen tenzij het apparaat volledig is afgekoeld.
- **Gevaar voor letsel!** Wees voorzichtig bij de omgang met de scherpe snijmesses tijdens het reinigen.
-  Dit apparaat is geclassificeerd als beschermingsklasse II.

### Bedoeld gebruik

- Het apparaat is bestemd voor professioneel gebruik.
- Dit apparaat is enkel bedoeld voor snijden, pletten, mixen en pureren van geschikte zachte ingrediënten in een container. Elk ander gebruik kan leiden tot schade aan het apparaat of lichamelijk letsel.
- Gebruik van het apparaat voor andere doeleinden wordt beschouwd als verkeerd gebruik van het apparaat. De gebruiker is volledig aansprakelijk voor alle risico's die voortvloeien uit verkeerd gebruik van het apparaat.

### Belangrijkste onderdelen van het apparaat

1. AAN/UIT-knop : Houd ingedrukt voor continu gebruik; Laat de knop los om gebruik te stoppen
2. Verhoog snelheidsinstelling + :  
Verhoog snelheid tussen 1 en 6
3. Verlaag snelheidsinstelling - :  
Verlaag snelheid tussen 1 en 6
4. LCD-display: Voor weergave snelheidsinstelling
5. Handgreep
6. Ventilatieopeningen
7. Afneembaar mengdeel
8. Mes
9. Beschermkap
10. Hoofdapparaat met motor



### Vorbereidingen voor gebruik

- Verwijder alle beschermende materialen en verpakkingsmaterialen.
- Controleer het apparaat op volledigheid en eventuele transportschade. Neem in geval van schade of een onvollledige levering onmiddellijk contact op met de leverancier. Gebruik het apparaat NIET. (Zie ==> Garantie).
- Reinig het apparaat voor gebruik (Zie ==> Reiniging en onderhoud).
- Zorg ervoor dat het apparaat volledig droog is.
- Bereid de voedingsingrediënten die u wilt verwerken voor.



## Voor gebruik

- Lees deze handleiding volledig en zorgvuldig door alvorens het apparaat te gebruiken.
- Zorg ervoor dat het apparaat wordt geplaatst in een droge omgeving zonder obstakels die het gebruik kunnen bemoeilijken.
- Zorg ervoor dat de specificaties van de stroomvoorziening overeenkomen met de gegevens op het typeplaatje op het apparaat.
- Zorg ervoor dat het mengdeel (7) stevig is geïnstalleerd op het hoofdapparaat met motor (10).

## Vervoer

- Verplaats het apparaat niet tijdens gebruik. Trek de stekker uit het stopcontact als u het apparaat wilt verplaatsen naar een andere plek.
- Houd het apparaat vast bij de handgreep als u het apparaat verplaatst.

## Bediening

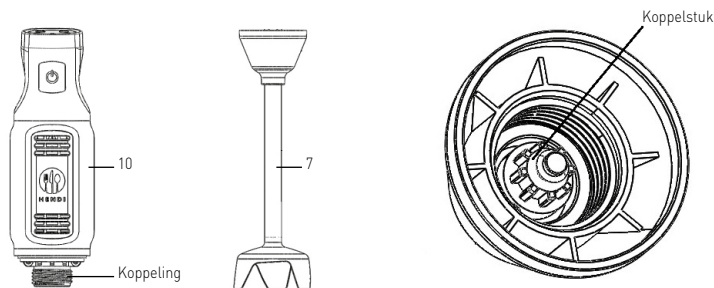
### U moet het volgende veiligheidsadvies te allen tijde naleven!

- Zorg er altijd voor dat het apparaat is losgekoppeld van de voeding voordat u het mengdeel (7) monteert.
- Plaats uw handen nooit in de voedselcontainer (niet meegeleverd). Gebruik altijd houten of plastic spatels en alleen als het apparaat niet in gebruik is.
- Gebruik het apparaat niet met een lege container of met harde voedingsmiddelen, hete vloeistoffen, zwaar deeg, etc. om oververhitting te voorkomen.
- **WAARSCHUWING!** Trek de stekker van het apparaat direct na gebruik uit het stopcontact.

## Montage / Demontage van hulpstukken

De montage-/demontagehandelingen van elk onderdeel van het apparaat mogen alleen worden uitgevoerd als het apparaat is gestopt en losgekoppeld van het lichtnet.

### Hoofddeel (10) en mixerstaaf (7):



#### Demontage:

1. Houd het hoofddeel (10) vast en schroef de mixerstaaf (7) met de klok mee los totdat het volledig ontkoppeld is.

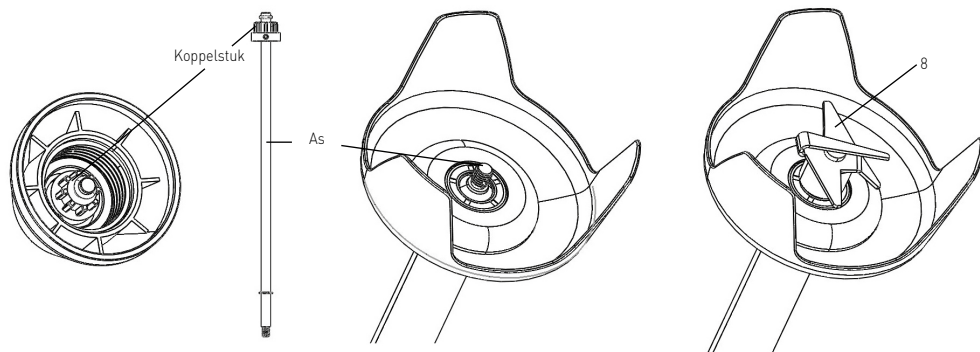
#### Montage:

1. Lijn het koppelstuk van de mixerstaaf (7) uit met de koppeling van het hoofddeel (10).
2. Schroef de mixerstaaf tegen de klok in vast totdat deze stevig zit.



## Mixerstaaf (7) en mes (8):

**LET OP!** Draag voor het vervangen van het mes a.u.b. beschermende handschoenen (niet inbegrepen).



### Demontage:

1. Houd het koppelstuk van de mixerstaaf (7) vast en schroef het mes (8) tegen de klok in tot het mes los komt.
2. Houd de mixerstaaf vast en trek de as er uit.

### Montage:

1. Breng de as in de mixerstaaf (7) tot de as op zijn plaats zit.
2. Houd het koppelstuk van de mixerstaaf (7) vast en schroef het mes met de klok mee tot het mes stevig zit.

Geschikt voor	<ul style="list-style-type: none"><li>• Mengen van sappen en shakes</li><li>• Mengen van zachte ingrediënten (bijv. pannenkoekbeslag of mayonaise).</li><li>• Mengen van groenten in soep (bijv. wortels, etc.)</li></ul>
Vorbereiding	<ul style="list-style-type: none"><li>• Schil voedsel en snijd het in kleine stukjes.</li><li>• Plaats het voedsel in een geschikte container met een capaciteit van 1~4 liter.</li></ul>
Maximale continue bedrijfstijd	3 minuten om te voorkomen dat de motor oververhit raakt. Bedien het apparaat pas weer nadat het is afgekoeld.

- Zodra de stekker in het stopcontact zit, wordt "3" getoond op het LCD-display (4).
- Laat het mengdeel (7) zakken in de voedselcontainer (niet meegeleverd). Dompel het mes (8) volledig onder in de ingrediënten voordat u het apparaat start.  
LET OP: Zorg ervoor dat u het mengdeel (7) maximaal tot aan de **Max.**-markering onderdompelt.
- Gebruik één hand om het hoofdapparaat (10) stevig vast te houden en houd de voedselcontainer met de andere hand vast.
- Houd de AAN / UIT-knop (1) ingedrukt, het apparaat begint continu te blenden.
- Beweeg het apparaat zachtjes omhoog en omlaag om de voedsel ingrediënten soepel te mengen.

- Til het apparaat tijdens gebruik niet uit de ingrediënten om het spatten van voedsel te voorkomen.
  - Selecteer de draaisnelheid door tijdens gebruik te drukken op + (2) of - (3) (instelbaar van 1 tot 6). De messnelheid wordt getoond op het LCD-display (4).
- Opmerking: U hoeft niet op de AAN/UIT-knop (1) te drukken als u tegelijkertijd de messnelheid selecteert.
- Druk, nadat u klaar bent met mengen, op de AAN/UIT-knop (1) om het apparaat uit te schakelen.
  - Wacht tot het mes (8) volledig tot stilstand is gekomen. Trek de stekker daarna uit het stopcontact.
  - Draai het hoofdapparaat (10) met de klok mee om het mengdeel (7) te demonteren voor reiniging.

Opmerking:

1. Houd de knop voor het verlagen of verhogen van de snelheid, + (2) of - (3), ingedrukt om de snelheid snel in te stellen.

2. De standaard messnelheid, die geselecteerd wordt als u de stekker in het stopcontact steekt, is "3".

## Reiniging en onderhoud

**Attentie:** Trek de stekker van het apparaat altijd uit het stopcontact en laat het apparaat volledig afkoelen alvorens het te reinigen en het mengdeel (7) te demonteren.

### Reiniging

- Verwijder alle obstakels in de buurt van het mes.
  - Plaats de mengarm en het mengelement in een geschikte container met schoon water en schakel het apparaat enkele seconden in. Dompel de schacht nooit verder dan de **Max.**-markering onder in water.
  - Dompel de motoreenheid of de handgreep nooit onder in water; reinig met een vochtige doek of een spons.
- WAARSCHUWING:** Always dry the blades thoroughly after cleaning to avoid rust spotting.

Aanbevolen reinigingsprocedure:

Onderdelen	Hoe te reinigen	Frequentie
Hoofdapparaat met motor (10)	<ul style="list-style-type: none"><li>• Dompel dit onderdeel nooit onder in water of andere vloeistoffen.</li><li>• Gebruik een vochtige doek met wat reinigingsmiddel en water; spoel, desinfecteer en droog grondig.</li></ul>	Reinig na elk gebruik
Mengdeel (7)	<ul style="list-style-type: none"><li>• Reinig het met warm water en wat mild reinigingsmiddel. Dompel het afneembare mengdeel (7) maximaal tot aan de Max.-markering onder.</li><li>• Droog alle onderdelen grondig alvorens ze opnieuw te gebruiken.</li></ul>	
Mes (8)	<ul style="list-style-type: none"><li>• Waarschuwing! Gevaar voor letsel! Wees zeer voorzichtig tijdens het reinigen van de messen.</li><li>• Reinig met warm water en een beetje mild reinigingsmiddel.</li><li>• Droog grondig na het reinigen.</li></ul>	

### Opslag

- Zorg er voordat u het apparaat opbergt altijd voor dat de stekker van het apparaat uit het stopcontact is getrokken en dat het apparaat volledig is afgekoeld.
- Het apparaat moet worden opgeslagen op een schone, koele en droge plek buiten het bereik van kinderen.



## Problemen oplossen

Als het apparaat niet naar behoren werkt, raadpleeg dan de onderstaande tabel voor een mogelijke oplossing. Als u het probleem niet zelf kunt

oplossen, neem dan contact op met de leverancier/dienstverlener.


Probleem	Mogelijke oorzaak	Mogelijke oplossing
Apparaat schakelt niet in	Stekker is niet juist aangesloten op een geschikt stopcontact.	Controleer of de stekker juist is aangesloten op een geschikt stopcontact.
	Er is niet op de AAN/UIT-knop (1) gedrukt.	Houd de AAN/UIT-knop (1) ingedrukt om het apparaat in te schakelen.
Rare geluiden tijdens gebruik	Het mengdeel (7) is niet juist gemonteerd.	Demonteer het mengdeel (7) en monteer het opnieuw.
Apparaat werkt niet	De interne oververhittingsbeveiliging is geactiveerd.	Laat het apparaat volledig afkoelen alvorens het opnieuw te gebruiken.
Apparaat is oververhit	Apparaat is te lang gebruikt	Laat de AAN/UIT-knop los en trek de stekker uit het stopcontact. Wacht 10 minuten totdat de motor is afgekoeld.

## Technische specificaties

Itemnr.: 222157

Bedrijfsspanning en frequentie: 230V~ / 50Hz

Nominaal ingangsvermogen: 250W

Beschermingsklasse: Klasse II 

Beschermingsklasse waterdichtheid: IP23

Afmetingen: ca. 71 x 71 x (H) 444 mm

Nettogewicht: ca. 1,6kg

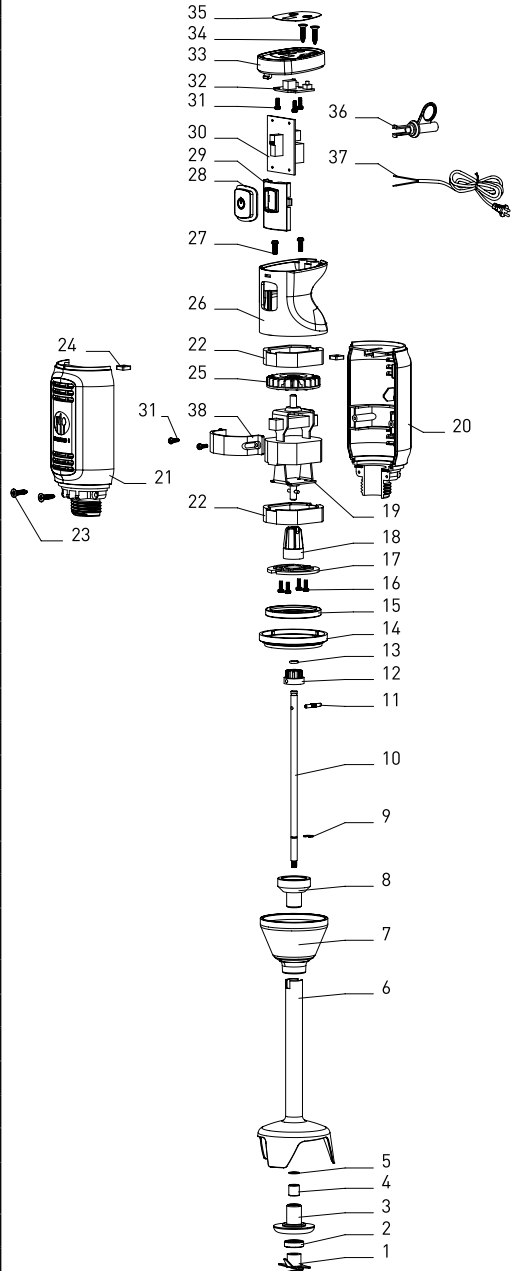
Omwentelingsnelheid (tpm): ca. 6,600 to 13,500

Geluidsniveau: < 85dB(A)

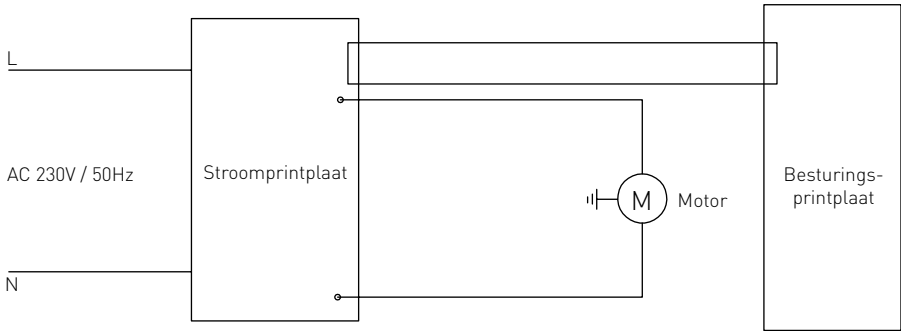
**Opmerking: Technische specificaties onderhevig aan veranderingen zonder voorafgaande kennisgeving.**

## Onderdelenlijst voor 222157

Onderdeel nr.	Naam onderdeel	Aantal
1	Titanium messenassemblage	1
2	Verzegelingsring van messenas	1
3	Bevestigingsbus	1
4	Lager	1
5	Stalen ring	1
6	As	1
7	Kop van as	1
8	Cover voor montage-as	1
9	E-vormige ring	1
10	Messenas	1
11	Bladaspen	1
12	Spieas	1
13	Anti-trillingsafdichtingsring	1
14	Gecoate ring	1
15	Anti-trillingsring voor motor	1
16	Schroef voor motor	4
17	Motorbevestigingsplaat	1
18	Spiekous	1
19	Motor	1
20	Rechter behuizing	1
21	Linker behuizing	1
22	Motorabsorberende afdekking	2
23	Schroeven voor motormontage	2
24	Bevestigingsmoer voor linker en rechter behuizingsdeel	2
25	Motorventilator	1
26	Bovenbehuizing	1
27	Bevestigingsschroef voor alle behuizingsdelen	2
28	Aan-/Uit-toetsrubber	1
29	Knophouder	1
30	Voedingskaart	1
31	Montageschroeven	5
32	Bedieningspaneel	1
33	Bovenafdekking	1
34	Bevestigingsschroef voor bovenste behuizingsdeel	2
35	Controlesticker	1
36	Trekcontlasting	1
37	Netsnoer met stekker	1
38	Motorhouder	1



## Schakelschema



## Garantie

Elk defect waardoor de werking van het apparaat nadelig wordt beïnvloed dat zich binnen één jaar na aankoop van het apparaat voordoet, wordt gratis hersteld door reparatie of vervanging, mits het apparaat conform de instructies is gebruikt en onderhouden en niet op enigerlei wijze verkeerd is behandeld of misbruikt. Dit laat onverlet uw bij wet bepaalde rechten. Als de garantie van kracht is, vermeld dan waar en wanneer u het apparaat

hebt gekocht en sluit een aankoopbewijs bij (bijv. kassabon of factuur).

Gezien ons streven naar voortdurende verdere productontwikkeling behouden wij ons het recht voor, zonder voorafgaande kennisgeving wijzigingen aan te brengen aan product, verpakking en documentatie.

NL

## Verwijdering & milieu

Bij de buitengebruikstelling van het apparaat, mag het niet met het overige huisafval worden verwijderd. In plaats daarvan is het uw verantwoordelijkheid om uw afgedankte apparatuur in te leveren bij een daartoe aangewezen inzamelpunt. Het niet opvolgen van deze regel kan worden bestraft in overeenstemming met de geldende voorschriften voor afvalverwerking. De gescheiden inzameling en recycling van uw afgedankte apparatuur ten tijde van buitengebruikstelling helpt bij de instand-

houding van natuurlijke hulpbronnen en waarborgt dat de apparatuur wordt gerecycled op een manier die de volksgezondheid en het milieu beschermt. Voor meer informatie over waar u uw afval kunt inleveren voor recycling kunt u contact opnemen met uw lokale afvalverwerkingsbedrijf. De fabrikant en importeurs nemen geen verantwoordelijkheid voor de recycling, behandeling en ecologische verwijdering, hetzij rechtstreeks of via een openbaar systeem.



Drogi Kliencie,

Dziękujemy za zakup tego urządzenia Hendi. Przeczytaj uważnie tę instrukcję, zwracając szczególną uwagę na przepisy bezpieczeństwa przedstawione poniżej, przed zainstalowaniem i używaniem tego urządzenia po raz pierwszy.

## Przepisy bezpieczeństwa

- Niniejsze urządzenie przeznaczone jest do użytku komercyjnego.
- Urządzenie należy używać wyłącznie zgodnie z przeznaczeniem, do którego zostało zaprojektowane zgodnie z opisem w niniejszej instrukcji.
- Producent nie ponosi odpowiedzialności za jakiegokolwiek szkody spowodowane nieprawidłowym działaniem i niewłaściwym użyciem.
- Przechowywać urządzenie i wtyczkę elektryczną z dala od wody i innych płynów. W przypadku, gdy urządzenie wpadnie do wody, natychmiast wyjmij wtyczkę zasilającą z gniazda. Nie używać urządzenia, dopóki nie zostanie sprawdzone przez certyfikowanego technika. Nieprzestrzeganie tych instrukcji spowoduje zagrożenie dla życia.
- Nigdy nie próbuj samodzielnie otwierać obudowy urządzenia.
- Nie wkładaj przedmiotów do obudowy urządzenia.
- Nie dotykać wtyczki mokrymi lub wilgotnymi dłońmi.
- ⚠ **Niebezpieczeństwo porażenia prądem!** Nie próbuj samodzielnie naprawiać urządzenia, naprawy mogą być wykonywane wyłącznie przez wykwalifikowany personel..
- **Nigdy nie używaj uszkodzonego urządzenia!** Po uszkodzeniu odłącz urządzenie od gniazda i skontaktuj się ze sprzedawcą.
- **Ostrzeżenie!** Nie zanurzaj części elektrycznych urządzenia w wodzie lub innych płynach.
- Nigdy nie trzymaj urządzenia pod bieżącą wodą.
- Regularnie sprawdzaj wtyczkę zasilającą i przewód pod kątem uszkodzeń. W przypadku uszkodzenia musi zostać zastąpiony przez agenta serwisowego lub podobnie wykwalifikowaną osobę w celu uniknięcia niebezpieczeństwa lub obrażeń.
- Upewnij się, że przewód nie styka się z ostrymi lub gorącymi przedmiotami i trzymaj go z dala od otwartego ognia. Nigdy nie pociągaj za przewód zasilający, aby odłączyć go od gniazda, zawsze za wtyczkę.
- Upewnij się, że przewód zasilający i/lub przedłużacz nie powodują zagrożenia przejazdem.
- Nigdy nie pozostawiaj urządzenia bez nadzoru podczas użytkowania.
- **Ostrzeżenie!** Dopóki wtyczka znajduje się w gnieździe, urządzenie jest podłączone do źródła zasilania.
- Wyłącz urządzenie przed odłączeniem go od gniazda.
- Podłącz wtyczkę do łatwo dostępnego gniazda elektrycznego, aby w nagłych wypadkach urządzenie mogło zostać natychmiast odłączone.
- Nigdy nie noś urządzenia za przewód.
- Nie należy używać żadnych dodatkowych urządzeń, które nie są dostarczane razem z urządzeniem.
- Podłącz urządzenie tylko do gniazda elektrycznego z napięciem i częstotliwością wymienioną na etykiecie urządzenia.

PL




- Nigdy nie używaj akcesoriów innych niż zalecane przez producenta. Niezastosowanie się do tego może stanowić zagrożenie dla bezpieczeństwa użytkownika i spowodować uszkodzenie urządzenia. Używaj tylko oryginalnych części i akcesoriów.
- Urządzenie to nie powinno być obsługiwane przez osoby o ograniczonych możliwościach fizycznych, sensorycznych lub umysłowych, ani osoby, które mają brak doświadczenia i wiedzy.
- Urządzenie to w żadnym wypadku nie powinno być używane przez dzieci.
- Przechowywać urządzenie i jego przewód zasilający w miejscu niedostępnym dla dzieci.
- **OSTRZEŻENIE:** ZAWSZE wyłączyć urządzenie i odłączyć od gniazdka elektrycznego przed czyszczeniem, konserwacją lub przechowywaniem.

## Specjalne przepisy bezpieczeństwa

- Korzystaj z urządzenia wyłącznie zgodnie z instrukcją. Wyłącznie do użytku wewnętrznego.
- Urządzenie powinno zostać zamontowane i być obsługiwane wyłącznie przez wykwalifikowany personel kuchenny w punktach gastronomicznych, np. świadczących usługi cateringowe, w restauracjach, barach, itp.
- Wszelkie czynności konserwacyjne i montażowe oraz naprawa urządzenia powinny zostać przeprowadzane przez wykwalifikowanych, upoważnionych techników.
- Przechowuj z dala od gorących powierzchni i otwartego ognia. Ustaw urządzenie na równej, stabilnej, czystej i suchej powierzchni, odpornej na działanie wysokich temperatur.
- Jeśli to konieczne, podczas obsługi urządzenia stosuj odzież ochronną, maskę lub okulary ochronne.
- Urządzenie nie jest przystosowane do obsługi za pomocą zewnętrznego minutnika lub oddzielnego systemu zdalnego sterowania.
- **OSTRZEŻENIE:** Nie zastanij otworów wentylacyjnych urządzenia.
- **OSTRZEŻENIE:** Podczas pracy urządzenia pamiętaj, by nie wkładać do pojemnika dłoni ani przyborów kuchennych, tym samym zmniejszając ryzyko poważnych obrażeń ciała i/ lub uszkodzenia blendera.
- W celu uniknięcia ryzyka, zapewnij co najmniej 20-centymetrową przestrzeń wokół urządzenia.
- **Uwaga!** Odpowiednio poprowadź i zabezpiecz przewód zasilający, aby zapobiec przypadkowemu pociągnięciu lub kontaktowi z obracającym się nożem.
- Nie zanurzaj ramienia w pojemniku z wodą lub innym płynem, jeśli jego poziom nie przekracza 5 cm.
- Nie korzystaj z urządzenia przez długi czas, aby uniknąć przegrzania silnika. Urządzenie nie powinno pracować nieprzerwanie dłużej niż 3 minut. Urządzenie nadaje się ponownie do użycia po wystygnięciu.
- Nie korzystaj z urządzenia, jeśli ramię nie zostało umieszczone w pojemniku.
- Podczas pracy urządzenia nie dotykaj ostrza ani innych części ruchomych. Podczas pracy urządzenia nie dotykaj elementów ruchomych rękoma ani przyrządami kuchennymi; zwiąż włosy.
- Nie myj urządzenia wodą lub za pomocą silnego strumienia. Mycie urządzenia wodą może




spowodować przedostanie się jej do części elektrycznych i doprowadzić do porażenia prądem. Części urządzenia nie mogą być myte w zmywarce.

- Aby uniknąć uszkodzenia przewodu zasilającego, nie ściskaj, nie zginaj ani nie przewieszaj przez ostre krawędzie. Trzymaj przewód zasilający z dala od gorących powierzchni i otwartego płomienia. Nie zbliżaj obracających się noży urządzenia do przewodu zasilającego.
- Przeprowadź przewód zasilający tak, aby zapobiec przypadkowemu pociągnięciu lub potknięciu się o kabel.
- Nie czyść ani nie umieszczaj urządzenia w miejscu przechowywania, zanim całkowicie nie ostygnie.
- **Niebezpieczeństwo skałceń!** Zachowaj ostrożność podczas demontażu ostrych noży oraz podczas czyszczenia.
-  Blender jest urządzeniem II klasy ochronności.

### Przeznaczenie

- Urządzenie przeznaczone jest do zastosowania profesjonalnego.
- To urządzenie jest przeznaczone wyłącznie do kruszenia, mieszania, rozdrabniania, blendowania żywności o odpowiedniej miękkości w pojemniku. Użycie urządzenia w jakimkolwiek innym celu może prowadzić do jego uszkodzenia bądź obrażeń ciała.
- Wykorzystanie urządzenia w jakimkolwiek innym celu uznane będzie za wykorzystanie niezgodne z przeznaczeniem. Użytkownik będzie wyłącznie odpowiedzialny za nieprawidłowe wykorzystanie urządzenia.

### Główne części urządzenia

1. Przycisk ON/OFF : Wciśnij i przytrzymaj, aby urządzenie pracowało w sposób nieprzerwany. Zwolnij przycisk, aby zatrzymać pracę urządzenia.
2. Zwiększenie prędkości obrotów + :  
Zwiększ prędkość obrotów - od wartości 1 do 6
3. Zmniejszenie prędkości obrotów - :  
Zmniejsz prędkość obrotów - od wartości 1 do 6
4. Wyświetlacz LCD: Wyświetlacz pokazuje aktualną prędkość obrotów
5. Uchwyt
6. Otwory wentylacyjne
7. Zdemontowane ramię mieszające
8. Ostrze
9. Ostona noża
10. Korpus (z silnikiem)



---

## Przygotowania przed pierwszym użyciem

- Zdejmij i usuń opakowanie i zabezpieczenia.
- Sprawdź urządzenie pod kątem kompletności oraz ewentualnych uszkodzeń podczas transportu. W przypadku niekompletnej dostawy lub uszkodzeń, natychmiast skontaktuj się z dostawcą. W przypadku niekompletnej dostawy lub uszkodzeń, NIE korzystaj z urządzenia. (Patrz ==> Gwarancja).
- Wyczyść urządzenie (patrz ==> Czyszczenie i konserwacja).
- Sprawdź, czy urządzenie jest całkowicie suche.
- Przygotowanie składników

---

## Przed użyciem

- Uważnie zapoznaj się z treścią instrukcji przed korzystaniem z urządzenia.
- Upewnij się, czy urządzenie zostało ustawione w suchym miejscu i żadne przedmioty nie utrudniają jego pracy.
- Upewnij się, czy specyfikacja urządzenia na tabliczce znamionowej odpowiada parametrom gniazdka elektrycznego, do którego ma być podłączone urządzenie.
- Upewnij się, czy ramię (7) jest prawidłowo zamontowane na korpusie z silnikiem (10).

---

## Transport

- Nie przenoś urządzenia podczas jego pracy. Przed przeniesieniem urządzenia w inne miejsce zawsze pamiętaj o odłączeniu go od gniazdka elektrycznego.
- Podczas przenoszenia, trzymaj urządzenie za uchwyt.

PL

---

## Obsługa

### Zawsze przestrzegaj poniższych instrukcji bezpieczeństwa!

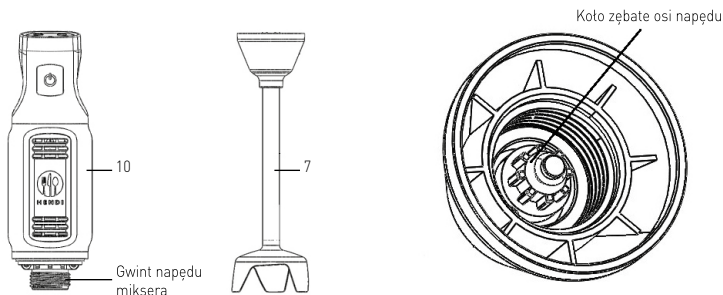
- Zawsze upewnij się, czy urządzenie zostało odłączone od źródła zasilania przed podłączeniem ramienia mieszającego (7) do korpusu.
- Nigdy nie wkładaj rąk do pojemnika na żywność (niedotłączony do urządzenia). Do mieszania zawsze używaj łopatek [drewnianych lub z tworzywa sztucznego]; łyżeczki stosuj wyłącznie wtedy, gdy urządzenie nie pracuje.
- Nie używaj urządzenia, gdy pojemnik jest pusty ani do miksowania twardych produktów żywnościowych, gorących cieczy, twardego ciasta itp., aby zapobiec przegrzaniu się blendera.
- **OSTRZEŻENIE!** Wyjmij wtyczkę z gniazdka natychmiast po zakończeniu pracy z urządzeniem.



## Montaż / demontaż części urządzenia

Montaż / demontaż części urządzenia należy przeprowadzać przy urządzeniu wyłączonym i odłączonym od zasilania.

### Napęd miksera (10) oraz element miksujący (7):



#### Demontaż:

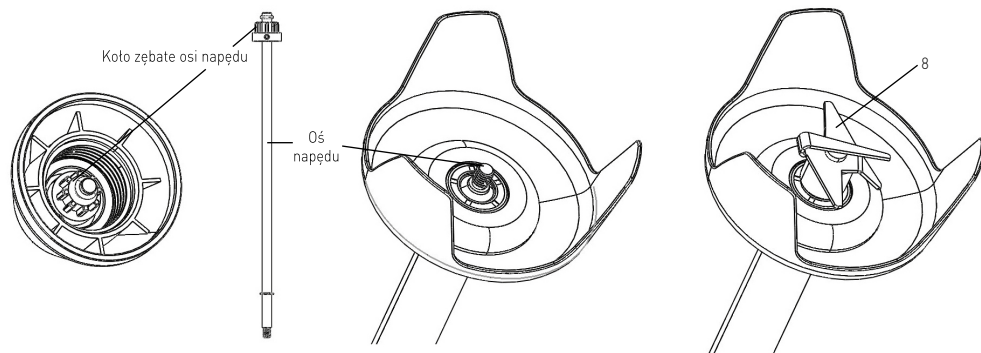
1. Przytrzymaj napęd miksera (10) i wykręć element miksującą (7) zgodnie z ruchem wskazówek zegara, aż do całkowitego rozłączenia.

#### Montaż:

1. Dopasuj kolo zębate napędu elementu miksującego (7) do końcówki z gwintem napędu miksera (10).
2. Wkręć element miksujący (7) w kierunku przeciwnym do ruchu wskazówek zegara, aż do całkowitego dokręcenia.

### Element miksujący (7) oraz ostrze (8):

**UWAGA!** Podczas demontażu należy używać rękawic ochronnych (brak w zestawie).



#### Demontaż:

1. Przytrzymaj końcówkę elementu miksującego (7) i wykręć ostrze (8) w kierunku przeciwnym do ruchu wskazówek zegara, aż do całkowitego rozłączenia.
2. Przytrzymaj element miksujący (7) i wyciągnij os napędu.

#### Montaż:

1. Włóż do końca os napędu do elementu miksującego (7).
2. Przytrzymaj kolo zębate elementu miksującego (7) i wkręć ostrze zgodnie z ruchem wskazówek zegara, aż do całkowitego dokręcenia.

PL



Urządzenie jest odpowiednie do:	<ul style="list-style-type: none"> <li>• Blendowania soków lub shake'ów.</li> <li>• Miksowania miękkich produktów żywnościowych (np. ciasta na naleśniki lub majonezu).</li> <li>• Miksowania warzyw w celu przygotowania zup (np. zup marchwiowych itp.)</li> </ul>
Przygotowanie:	<ul style="list-style-type: none"> <li>• Obierz lub odkrój zbędne elementy produktów żywnościowych; warzywa/owoce pokrój na małe kawałki.</li> <li>• Umieść produkty żywnościowe w odpowiednim pojemniku o pojemności od 1 do 4 litrów.</li> </ul>
Maksymalny nieprzerwany czas pracy wynosi	3 minut - dłuższa praca urządzenia może doprowadzić do przegrzania silnika. Włączyć ponownie urządzenie po jego ostygnięciu.

- Po podłączeniu urządzenia do gniazdka elektrycznego na wyświetlaczu LCD [4] pojawi się wartość „3”.
- Umieść ramię mieszające [7] w pojemniku na żywność (niedotączony do urządzenia). Przed uruchomieniem urządzenia zanurz całe ostrze [8] w składnikach umieszczonych w pojemniku. UWAGA: Nigdy nie zanurzaj ramienia mieszającego [7] powyżej oznaczonego poziomu **maksymalnego**.
- Mocno trzymaj korpus [10] urządzenia jedną ręką, drugą przytrzymując pojemnik.
- Naciśnij i przytrzymaj przycisk ON/OFF [1] - urządzenie będzie pracować nieprzerwanie.
- Delikatnie przesuwaj urządzenie do góry i do dołu, aby równomiernie zmiksować składniki.
- Aby zapobiec rozbryzgiwaniu się mieszaniny, nie wyjmuj z niej ramienia blendera, gdy urządzenie pracuje.
- Wybrać prędkość ostrzy naciskając przycisk „+”

- [2] lub „-” [3] podczas pracy urządzenia (zakres prędkości: 1 do 6). Na wyświetlaczu LCD [4] pojawi się wybrana prędkość obrotów. Uwaga: Podczas wybierania prędkości obrotów nie jest konieczne jednoczesne wciskanie przycisku ON/OFF [1].
- Po skończeniu pracy zwolnij przycisk ON/OFF [1], a urządzenie wyłączy się.
- Odczekaj, aż ostrze [8] zatrzyma się. Następnie odłącz urządzenie od źródła zasilania wyjmując wtyczkę z gniazdka.
- Przekręć korpus [10] zgodnie z ruchem wskazówek zegara, aby odłączyć ramię mieszające [7] w celu umycia.

Uwaga:

1. Naciśnij i przytrzymaj przycisk zmniejszania „+” [2] lub zwiększania „-” [3] wartości w celu szybkiego ustawienia żądanych wartości.
2. Domyślną prędkością obrotu noży jest prędkość „3”.

## Czyszczenie i konserwacja

**Uwaga:** Przed rozpoczęciem czyszczenia i odłączeniem ramienia mieszającego [7] zawsze wyłącz urządzenie z gniazdka i odczekaj, aż całkowicie ostygnie.

### Czyszczenie

- Usuń wszystkie zbędne elementy znajdujące się w pobliżu ostrza.
- Umieść ramię i końcówkę w odpowiednim naczyniu napełnionym czystą wodą i włącz urządzenie na kilka sekund. Nie zanurzaj ramienia w wodzie ani innym płynie powyżej poziomu maksymalnego.
- Nigdy nie zanurzaj silnika ani uchwytu w wodzie - części te czyść wilgotną ściereczką albo gąbką.

**OSTRZEŻENIE:** Po umyciu zawsze dokładnie osusz ostrza, aby nie dopuścić do zardzewienia.



Zalecany sposób mycia urządzenia:

Części	Czyszczenie	Częstotliwość
Korpus (z silnikiem) (10)	<ul style="list-style-type: none"> <li>Nigdy nie zanurzaj części w wodzie ani innych płynach.</li> <li>Za pomocą wilgotnej ściereczki ze środkiem myjącym przemysł, zdezynfekuj i dokładnie wysusz korpus.</li> </ul>	Umyj po każdym użyciu.
Ramię mieszające (7)	<ul style="list-style-type: none"> <li>Umyj ciepłą wodą z dodatkiem łagodnego detergentu. Nigdy nie zanurzaj zdejmowanego ramienia mieszającego (7) powyżej oznaczonego poziomu maksymalnego.</li> <li>Dokładnie wysusz wszystkie części przed ponownym użyciem.</li> </ul>	
Ostrze (8)	<ul style="list-style-type: none"> <li>Ostrzeżenie! Niebezpieczeństwo skaleczeń! Zachowaj szczególną ostrożność podczas czyszczenia noży.</li> <li>Umyj przy użyciu ciepłej wody i łagodnego detergentu.</li> <li>Po czyszczeniu, dokładnie osusz.</li> </ul>	

### Przechowywanie

- Przed umieszczeniem w miejscu przechowywania, zawsze upewnij się, czy urządzenie zostało wyłączone z gniazdka i całkowicie ostygło.
- Przechowuj urządzenie w chłodnym, czystym i suchym miejscu poza zasięgiem dzieci.

### Wyszukiwanie i usuwanie usterek

Jeśli urządzenie nie działa prawidłowo, zapoznaj się z poniższą tabelą w celu znalezienia prawidłowego rozwiązania. Jeśli nie możesz rozwiązać problemu, skontaktuj się z dostawcą

Problem	Możliwa przyczyna	Możliwe rozwiązanie
Urządzenie nie włącza się.	Wtyczka nie jest prawidłowo podłączona do źródła zasilania.	Sprawdź, czy wtyczka jest prawidłowo podłączona do odpowiedniego źródła zasilania.
	Nie wciśnięto przycisku ON/OFF (1).	Aby uruchomić urządzenie, wciśnij i przytrzymaj przycisk ON/OFF (1).
Urządzenie wydaje niestandardowe dźwięki podczas miksowania produktów żywnościowych.	Ramię mieszające (7) nie zostało prawidłowo podłączone.	Odtłącz i ponownie podłącz ramię mieszające (7).
Urządzenie nie działa.	Uruchomiono się wbudowane zabezpieczenie przed przegrzaniem.	Zaczekaj, aż urządzenie ostygnie przed ponownym uruchomieniem.
Doszło do przegrzania urządzenia.	Zbyt długi czas eksploatacji urządzenia	Zwolnij przycisk ON/OFF i odtłącz urządzenie od źródła zasilania; odczekaj 10 minut aż silnik ostygnie.

### Specyfikacja techniczna

Numer produktu: 222157

Napięcie robocze i częstotliwość: 230V~ / 50Hz

Znamionowy pobór mocy: 250W

Klasa ochronności: Klasa II 

Klasa wodoodporności: IP23

Wymiary: ok. 71 x 71 x [wys.] 444 mm

Waga netto: ok. 1,6kg

Prędkość obrotowa [obr./min]: ok. 6,600 do 13,500

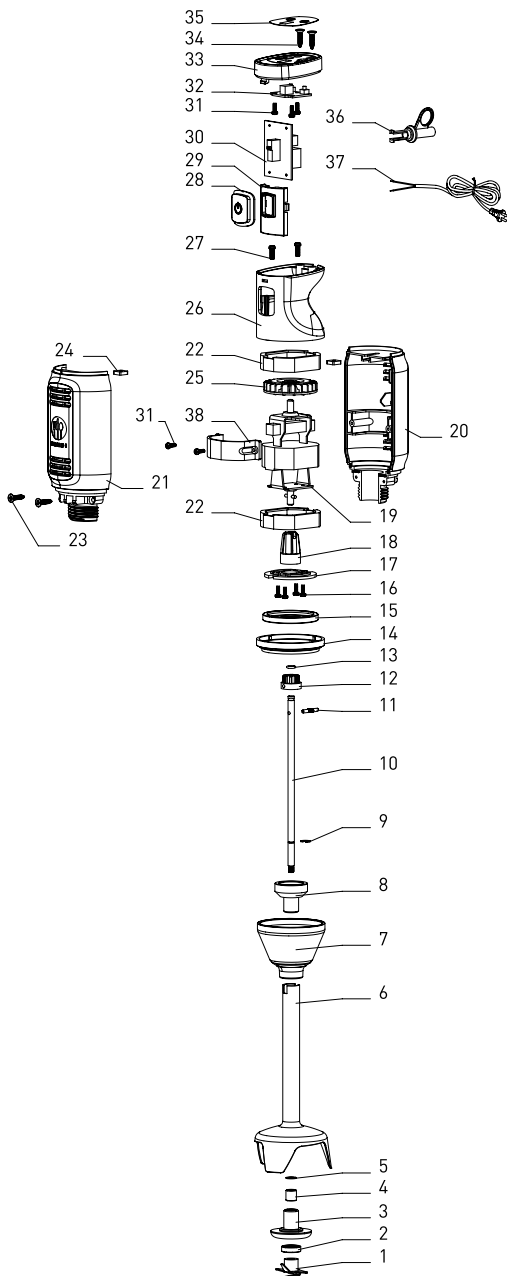
Poziom hałasu: < 85dB(A)

**Uwaga:** Specyfikacja techniczna może ulec zmianie bez uprzedzenia.

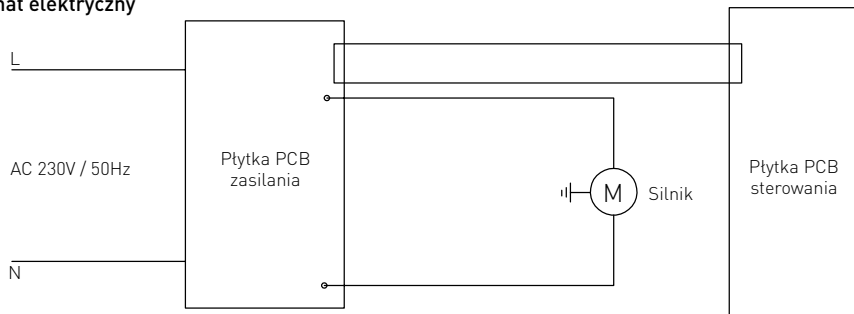


## Wykaz części dla modelu 222157

Nr części	Nazwa części	Ilość
1	Montaż ostrza tytanowego	1
2	Pierścień uszczelki ostrza wału	1
3	Mocowanie tulei	1
4	Łożysko	1
5	Stalowy pierścień	1
6	Wał	1
7	Głowica wału	1
8	Pokrywa montująca wał	1
9	Pierścień w kształcie E	1
10	Ostrze wału	1
11	Sworzeń wału ostrza	1
12	Wał klinowy	1
13	Antywibracyjny pierścień uszczelniający	1
14	Pierścień powlekany	1
15	Pierścień antywibracyjny silnika	1
16	Śruby do silnika	4
17	Błaszka mocująca silnik	1
18	Tuleja klinowa	1
19	Silnik	1
20	Prawe załączenie	1
21	Lewe załączenie	1
22	Ostona absorbująca silnik	2
23	Śruby montujące silnik	2
24	Nakrętka montażu prawej i lewej obudowy	2
25	Wentylator silnika	1
26	Górne załączenie	1
27	Śruby mocujące wszystkie obudowy	2
28	Gumka do włącznika/wyłącznika	1
29	Rama mocująca przycisk	1
30	Tablica rozdzielcza	1
31	Śruby montujące	5
32	Panel kontrolny	1
33	Górna pokrywa	1
34	Górna śruba montażowa obudowy	2
35	Element kontrolny	1
36	Odciążacz naprężenia	1
37	Przewód zasilający z wtyczką	1
38	Rama mocująca silnik	1



## Schemat elektryczny



## Gwarancja

Każda wada bądź usterka powodująca niewłaściwe funkcjonowanie urządzenia, która ujawni się w ciągu jednego roku od daty zakupu, zostanie bezpłatnie usunięta lub urządzenie zostanie wymienione na nowe, o ile było użytkowane i konserwowane zgodnie z instrukcją obsługi i nie było wykorzystywane w niewłaściwy sposób lub niezgodnie z przeznaczeniem. Postanowienie to w żadnej mierze nie narusza innych praw użytkownika wynikających z przepisów prawa. W przypadku zgłoszenia urzą-

dzenia do naprawy lub wymiany w ramach gwarancji należy podać miejsce i datę zakupu urządzenia i dołączyć dowód zakupu (np. paragon).

Zgodnie z naszą polityką ciągłego doskonalenia wyrobów zastrzegamy sobie prawo do wprowadzania bez uprzedzenia zmian w wyrobie, opakowaniu oraz danych technicznych podawanych w dokumentacji.

## Wycofanie z użytkowania i ochrona środowiska

### Pamiętaj!

**Nie wyrzucaj zużytego sprzętu łącznie z innymi odpadami**

**Nie demontuj zużytych urządzeń zawierających niebezpieczne składniki na własną rękę!**

**Groź Ci za to kary grzywny!**

Po zakończeniu eksploatacji produktu nie wolno gromadzić razem z odpadami komunalnymi, tylko należy odstawić do punktu odbioru odpadów elektrycznych i elektronicznych. Użytkownik ponosi odpowiedzialność za przekazanie wycofanego z użytkowania urządzenia do punktu gospodarowania odpadami. Nieprzestrzeganie tej zasady może być karane zgodnie z lokalnie obowiązującymi przepisami dotyczącymi gospodarowania odpadami. Jeśli urządzenie wycofane z użytkowania jest poprawnie odebrane jako osobny odpad, może zostać przetworzone i zutylizowane w sposób przyjazny dla środowiska, co zmniejsza negatywny wpływ na środowisko i zdrowie ludzi. Aby uzyskać więcej informacji dotyczących dostępnych usług w zakresie odbioru odpadów, należy skontaktować się z lokalną firmą odbierającą odpady.



**Symbol przekreślonego kosza na śmieci oznacza, że tego produktu nie wolno wyrzucać do zwykłych pojemników na odpady.**

Zużyte urządzenia elektryczne i elektroniczne mogą zawierać niebezpieczne składniki np. rtęć, ołów, kadm lub freon. Jeśli tego typu substancje przedostaną się w sposób niekontrolowany do środowiska, spowodują skażenie wody i gleby, a także wpłyną niekorzystnie na zdrowie ludzi i zwierząt.

Właściwe postępowanie ze zużytym sprzętem zapobiega potencjalnym negatywnym konsekwencjom dla środowiska naturalnego i ludzkiego zdrowia.


Jednocześnie oszczędzamy naturalne zasoby naszej Ziemi wykorzystując powtórnie surowce uzyskane z przetwarzania sprzętu.



Cher client,

Merci d'avoir acheté cet appareil **Hendi**. Lisez attentivement ce manuel, en accordant une attention particulière aux règles de sécurité décrites ci-dessous, avant d'installer et d'utiliser cet appareil pour la première fois.

## Règlement sur la sécurité

- L'appareil est destiné à un usage commercial.
- N'utilisez l'appareil qu'aux fins prévues pour lesquelles il a été conçu comme décrit dans le présent manuel.
- Le fabricant n'est pas responsable des dommages causés par un mauvais fonctionnement et une mauvaise utilisation.
- Gardez l'appareil et la prise électrique à l'écart de l'eau et des autres liquides. Dans le cas où l'appareil tombe dans l'eau, retirez immédiatement la prise d'alimentation de la prise. N'utilisez pas l'appareil tant qu'elle n'a pas été vérifiée par un technicien certifié. Si vous ne respectez pas ces instructions, vous risquez de mettre la vie en danger.
- N'essayez jamais d'ouvrir le boîtier de l'appareil par vous-même.
- N'insérez pas d'objets dans le boîtier de l'appareil.
- Ne touchez pas la prise avec les mains mouillées ou humides.
-  **Danger de choc électrique!** N'essayez pas de réparer l'appareil par vous-même, les réparations doivent être effectuées uniquement par du personnel qualifié.
- **N'utilisez jamais un appareil endommagé!** Lorsqu'il est endommagé, débranchez l'appareil de la prise et contactez le détaillant.
- **Avertissement!** Ne pas immerger les parties électriques de l'appareil dans de l'eau ou d'autres liquides.
- Ne tenez jamais l'appareil sous l'eau courante.
- Vérifiez régulièrement la prise d'alimentation et le cordon pour tout dommage. Lorsqu'il est endommagé, il doit être remplacé par un agent de service ou une personne qualifiée de la même manière afin d'éviter un danger ou une blessure.
- Assurez-vous que le cordon n'entre pas en contact avec des objets tranchants ou chauds et maintenez-le à l'écart du feu ouvert. Ne tirez jamais le cordon d'alimentation pour le débrancher de la prise, tirez toujours la prise à la place.
- Assurez-vous que le cordon d'alimentation et/ou le rallonge ne présentent pas de risque de déclenchement.
- Ne laissez jamais l'appareil sans surveillance pendant l'utilisation.
- **Avertissement!** Tant que la prise est dans la prise, l'appareil est connectée à la source d'alimentation.
- Éteignez l'appareil avant de le débrancher de la prise.
- Connectez la prise d'alimentation à une prise électrique facilement accessible afin qu'en cas d'urgence l'appareil puisse être débranché immédiatement.
- Ne portez jamais l'appareil par le cordon.
- N'utilisez pas de périphériques supplémentaires qui ne sont pas fournis avec la solution matérielle-logicielle.

FR






- Connectez uniquement l'appareil à une prise électrique dont la tension et la fréquence sont indiquées sur l'étiquette de l'appareil.
- N'utilisez jamais d'accessoires autres que ceux recommandés par le fabricant. Le fait de ne pas le faire pourrait présenter un risque pour la sécurité de l'utilisateur et pourrait endommager l'appareil. Utilisez uniquement des pièces et accessoires d'origine.
- Cet appareil ne doit pas être utilisé par des personnes ayant des capacités physiques, sensorielles ou mentales réduites, ou par des personnes qui ont un manque d'expérience et de connaissances.
- Cet appareil ne doit en aucun cas être utilisé par des enfants.
- Gardez l'appareil et son cordon d'alimentation hors de portée des enfants.
- **ATTENTION:** éteignez TOUJOURS l'appareil et débranchez de la prise d'alimentation avant le nettoyage, l'entretien ou le stockage.

---

## Règlement spécial sur la sécurité

- Utilisez l'appareil uniquement conformément aux instructions. Uniquement à l'usage à l'intérieur.
- L'appareil doit être installé et utilisé par le personnel qualifié de la cuisine, dans des points de l'industrie alimentaire par exemple ceux fournissant les services de restauration, dans des restaurants, des bars etc.
- Toutes les interventions d'entretien et d'installation et la réparation de l'appareil doivent être effectuées par les techniciens qualifiés et autorisés.
- Tenez l'appareil éloignés des surfaces chaudes ou des flammes nues. Placez l'appareil sur une surface stable, propre et sèche, résistant à des températures élevées.
- Pendant le fonctionnement utilisez, le cas échéant, les vêtements de protection, le masque ou les lunettes de protection.
- L'appareil n'est pas conçu pour fonctionner par l'intermédiaire d'une minuterie externe ou d'un système de contrôle à distance séparé.
- **AVERTISSEMENT :** N'obstruez pas les orifices de ventilation.
- **AVERTISSEMENT :** Pendant le fonctionnement de l'appareil ne mettez pas vos mains ou des ustensiles de cuisine dans le récipient en réduisant ainsi le risque de blessures graves et/ou l'endommagement au mélangeur.
- Assurez au moins 20 cm d'espace autour de l'appareil pour éviter tout risque.
- **Attention !** Faites passer de manière adéquate et protéger le câble d'alimentation pour éviter tout risque de traction ou de contact avec la lame tournant.
- Ne plongez pas le bras dans un récipient rempli d'eau ou d'un autre liquide, lorsque son niveau ne dépasse pas 5 cm.
- N'utilisez pas l'appareil trop longtemps pour éviter une surchauffe du moteur. L'appareil ne doit pas fonctionner en continu pendant plus de 3 minutes. L'appareil peut être réutilisé lorsqu'il est refroidi.
- N'utilisez pas l'appareil lorsque le bras n'est pas placé dans un récipient.




- Pendant le fonctionnement de l'appareil ne touchez pas la lame ou d'autres pièces mobiles. Ne touchez pas les pièces mobiles avec vos mains ou d'autres ustensiles de cuisine, attachez les cheveux.
- Ne nettoyez pas l'appareil avec de l'eau ou avec un fort courant d'eau. Le lavage de l'appareil avec de l'eau peut provoquer la pénétration de l'eau dans des parties électriques et provoquer le choc électrique. Les parties de l'appareil ne peuvent pas être lavées dans le lave-vaisselle.
- Pour éviter d'endommager le câble d'alimentation, ne le serrez pas, ne le pliez pas et ne le penchez pas sur les bords tranchants. Tenez le câble d'alimentation éloigné des surfaces chaudes et des flammes nues. N'approchez pas les lames tournant de l'appareil au câble d'alimentation.
- Faites passer le câble d'alimentation de sorte que l'appareil ne puisse pas être débranché accidentellement et que personne ne trébuche sur le câble.
- Ne nettoyez pas l'appareil ou ne le rangez pas avant le refroidissement complet.
- **Risque de blessure !** Soyez prudent lors de l'enlèvement des lames tranchants et pendant le nettoyage.
-  Le mélangeur et un appareil de la IIe classe de protection.

#### Utilisation prévue

- L'appareil est destiné à un usage professionnel.
- Cet appareil est destiné uniquement à broyer, mélanger, écraser, réduire en purée des aliments mous appropriés dans un récipient. L'utilisation de l'appareil à d'autres fins peut entraîner des dommages ou des blessures.
- L'utilisation de l'appareil à d'autres fins sera considérée comme une utilisation inappropriée. L'utilisateur sera seul responsable de l'utilisation incorrecte de l'appareil.

#### Éléments principaux de l'appareil

1. Interrupteur  ON/OFF : Appuyez et maintenez pour que l'appareil fonctionne en continu. Relâchez pour arrêter le fonctionnement de l'appareil.
2. Augmentation de la vitesse de rotation + : Augmentez la vitesse de tours de 1 à 6
3. Diminution de la vitesse de rotation - : Diminuez la vitesse de tours de 1 à 6
4. Ecran LCD : l'écran affiche la vitesse de rotation actuelle
5. Poignée
6. Trous de ventilation
7. Manche mixeur amovible
8. Lame
9. Protection de la lame
10. Bloc moteur



---

## Préparation avant la première utilisation

- Retirez et éliminez l'emballage et toutes les protections.
- Vérifiez l'appareil et les accessoires en ce qui concerne l'intégralité et les dommages éventuels de l'appareil pendant le transport. En cas de livraison incomplète (par exemple les accessoires manquant) ou de dommages, contactez votre fournisseur. N'UTILISEZ PAS l'appareil (voir ==> Garantie).
- Nettoyez l'appareil (voir ==> Nettoyage et entretien).
- Vérifiez que l'appareil est complètement sec.
- Préparation des ingrédients

---

## Avant l'utilisation

- Lisez attentivement les instructions avant l'installation et l'utilisation de l'appareil.
- Assurez-vous que l'appareil a été placé sur une surface sèche, résistante, dans un endroit où aucuns objets ne font obstacle.
- Assurez-vous que la spécification sur la plaque signalétique correspond aux paramètres de la prise de courant à laquelle l'appareil est raccordé.
- Vérifiez si le bras (7) est correctement installé sur le corps avec le moteur (10).

---

## Transport

- Ne déplacez pas l'appareil pendant son fonctionnement. Si vous voulez déplacer l'appareil dans un autre endroit, d'abord débranchez la fiche de la prise de courant.
- Pendant le déplacement de l'appareil, tenez la poignée de l'appareil.

---

## Fonctionnement

### Respectez toujours les consignes de sécurité présentées ci-dessous !

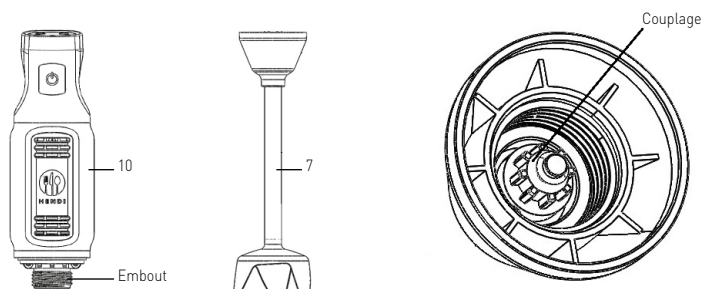
- Avant de monter le bras mélangeur (7) au corps, vérifiez toujours si l'appareil est mis hors tension.
- Ne mettez jamais les mains dans le récipient (non fourni) pour les produits alimentaires. Utiliser pour mélanger les spatules (en bois ou en plastique). Utilisez les spatules uniquement lorsque l'appareil ne fonctionne pas.
- N'utilisez pas l'appareil lorsque le récipient est vide ou pour mélanger les produits alimentaires durs, des liquides chauds ou de la pâte dure etc. pour éviter une surchauffe du mélangeur.
- **AVERTISSEMENT !** Débranchez le câble d'alimentation immédiatement après l'utilisation.



## Montage/démontage des pièces de l'appareil

Le montage / le démontage des parties de l'appareil doit être effectué quand l'appareil est arrêté et déconnecté du courant.

### Bloc moteur (10) et manche (7):



Démontage:

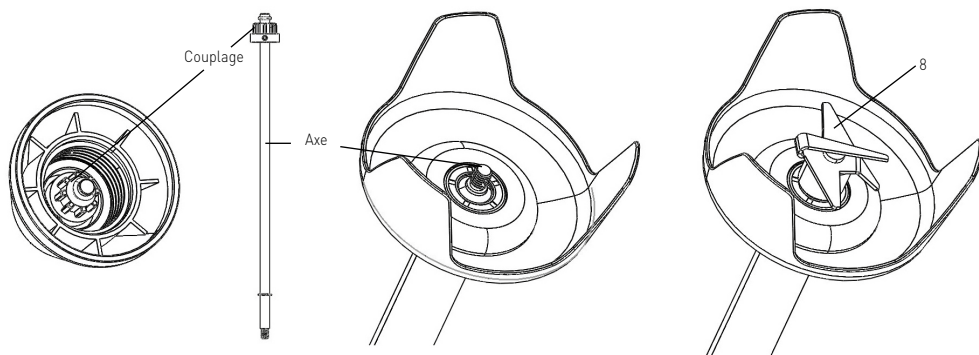
1. Maintenir le bloc moteur (10) et dévisser la manche du mixeur (7) en tournant dans le sens horaire jusqu'à ce qu'elle soit complètement détachée.

Montage:

1. Aligner le couplage de la manche du mixeur (7) avec l'embout du bloc moteur (10).
2. Visser la manche du mixeur (7) en tournant dans le sens anti horaire jusqu'à ce qu'elle soit complètement vissée.

### Manche du mixeur(7) et lame (8):

**ATTENTION!** Veuillez porter des gants de protection pour le démontage (non compris).



Démontage:

1. Maintenir le couplage de la manche du mixeur (7) et dévisser la lame (8) en tournant dans le sens anti horaire jusqu'à ce qu'elle soit complètement détachée.
2. Maintenir la manche du mixeur (7) et retirer l'axe.

Montage:

1. Insérer l'axe dans la manche du mixeur (7) jusqu'à ce qu'elle soit complètement insérée.
2. Maintenir le couplage de la manche du mixeur (7) et visser la lame en tournant dans le sens horaire jusqu'à ce qu'elle soit complètement vissée.

L'appareil est conçu pour	<ul style="list-style-type: none"> <li>• Mélanger les jus ou les cocktails.</li> <li>• Mélanger les produits alimentaires mous (p. ex. la pâte pour les crêpes ou la mayonnaise)</li> <li>• Mélanger les légumes ou préparer les soupes (p. ex. les soupes de carottes etc.)</li> </ul>
Préparation	<ul style="list-style-type: none"> <li>• Epluchez et couper les produits alimentaires ; coupez les légumes/les fruits en petits morceaux.</li> <li>• Placez les ingrédients dans un récipients approprié d'une capacité de 1 à 4 litres.</li> </ul>
Temps de fonctionnement maximal est de	3 minutes – le fonctionnement plus long peut provoquer la surchauffe du moteur. Quand l'appareil a été refroidi, faites le fonctionner de nouveau

- Tenez fortement le corps (10) de l'appareil d'une seule main et tenez le récipient avec l'autre main.
- Appuyez et maintenez le bouton ON/OFF (1) – l'appareil fonctionnera en continu.
- Déplacez doucement l'appareil vers le haut et le bas pour mélanger uniformément les ingrédients.
- Pour éviter les éclaboussures du mélange, ne retirez pas le bras du mélangeur lorsque l'appareil fonctionne.
- Sélectionnez la vitesse de la lame en appuyant sur le bouton + (2) ou - (3) (Vitesse de 1 à 6) quand l'appareil est allumé. L'écran LCD (4) affiche la vitesse sélectionnée.  
Attention : lorsque vous sélectionnez la vitesse de tours, il n'est pas nécessaire d'appuyer simultanément sur le bouton ON/OFF (1).

- Après avoir terminé le travail, relâchez le bouton ON/OFF (1), et l'appareil s'arrête.
- Attendez que la lame (8) s'arrête. Ensuite, mettez l'appareil hors tension en retirant la fiche de la prise.
- Tournez le corps (10) dans le sens des aiguilles d'une montre pour séparer le bras mélangeur (7) pour le nettoyer.

Attention :

1. Appuyez et maintenez le bouton „+” pour diminuer (2) ou le bouton „-” (3) pour augmenter la valeur afin de régler rapidement les valeurs sélectionnées.
2. La vitesse des lames par défaut est la vitesse „3”.

## Nettoyage et entretien

**Attention:** Avant le nettoyage et le démontage du bras mélangeur (7) débranchez toujours l'appareil et attendez jusqu'à ce qu'il refroidisse complètement.

### Nettoyage

- Enlevez tous les éléments inutiles situés près de la lame.
- Placez le bras et l'embout dans un récipient approprié rempli d'eau propre et faites fonctionner l'appareil pendant quelques secondes. Ne plongez pas le bras dans l'eau ni dans un autre liquide au-dessus du niveau maximum.

- Ne plongez jamais le moteur ni la poignée dans l'eau (ces composants doivent être nettoyés avec un chiffon humide ou une éponge).

**AVERTISSEMENT:** Après le nettoyage, séchez toujours soigneusement les lames pour éviter la rouille.



## La méthode de nettoyage de l'appareil recommandée

Pièces	Nettoyage	Fréquence
Corps (avec le moteur) (10)	<ul style="list-style-type: none"> <li>N'immergez pas dans l'eau ou dans d'autres liquides.</li> <li>Nettoyez avec une solution de détergent doux, lavez et séchez soigneusement.</li> </ul>	Nettoyez après chaque utilisation.
Bras mélangeur (7)	<ul style="list-style-type: none"> <li>Nettoyez avec l'eau chaude avec un produit de nettoyage doux. Ne plongez jamais le bras mélangeur amovible (7) au-dessus du niveau maximum indiqué.</li> <li>Séchez soigneusement toutes les pièces avant de réutiliser.</li> </ul>	
Lame (8)	<ul style="list-style-type: none"> <li>Attention ! Risque de blessures ! Soyez prudent pendant le nettoyage des lames.</li> <li>Nettoyez avec de l'eau chaude et de détergent doux.</li> <li>Séchez soigneusement toutes les pièces avant de réutiliser.</li> </ul>	

## Stockage

- Avant de la mise de l'appareil en stock, assurez-vous toujours que l'appareil a été débranché de la prise électrique et a complètement refroidi.
- Tenez l'appareil dans un endroit frais, propre et sec hors de la portée des enfants.

## Dépannage

Si l'appareil ne fonctionne pas correctement, lisez les instructions dans le tableau ci-dessous pour trouver une bonne solution. Si vous ne pouvez pas résoudre le problème, contactez votre revendeur.


Problème	Cause possible	Solution possible
L'appareil ne démarre pas	La fiche n'est pas correctement connectée à la source d'alimentation.	Vérifiez que la fiche est correctement connectée à la source d'alimentation.
	L'interrupteur ON/OFF (1) n'est pas appuyé.	Pour démarrer l'appareil, appuyez et maintenez le bouton ON/OFF (1).
L'appareil émet des sons non standard lors du mélange des ingrédients	Le bras mélangeur (7) n'est pas correctement monté.	Démonter et remonter le bras mélangeur (7).
L'appareil ne fonctionne pas	La protection contre la surchauffe intégrée s'est mise en marche.	Avant de redémarrer l'appareil attendez jusqu'à ce qu'il soit refroidi.
L'appareil est surchauffé.	Durée d'utilisation de l'appareil trop longue.	Relâchez le bouton «ON/OFF» et mettez l'appareil hors tension; attendez 10 minutes jusqu'à ce que le moteur refroidisse.

## Caractéristiques techniques

Produit numéro: 222157

Tension et fréquence: 230V~ / 50Hz

Consommation d'énergie: 250W

Classe de protection: Classe II 

Résistance à l'eau: IP23

Dimensions: aenv. 71 x 71 x (hauteur) 444 mm

Poids net: env. 1,6kg

Vitesse de rotation (tours. /min): env. de 6,600 à 13,500

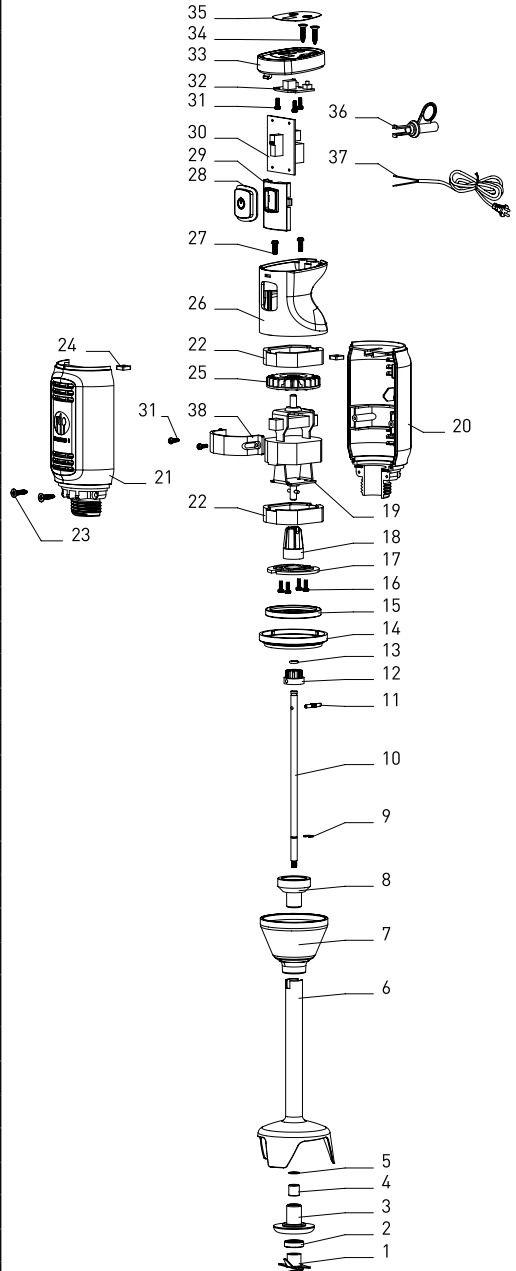
Niveau sonore: < 85dB(A)

**Remarque : Les caractéristiques techniques peuvent être modifiées sans préavis.**

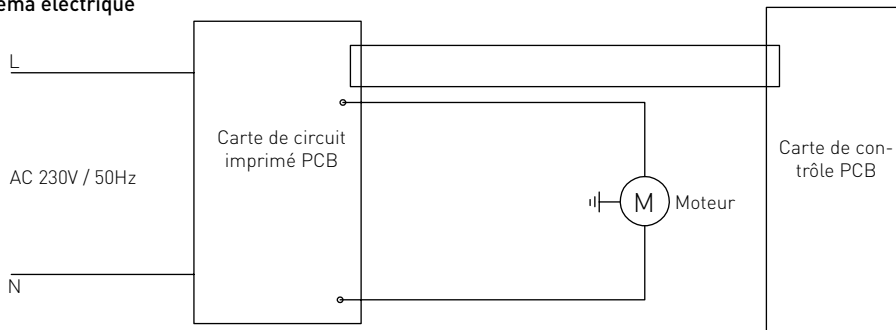


## Liste de pièces pour le modèle 222157

Pièce n°	Nom de la pièce	Quantité
1	Assemblage de la lame en titane	1
2	Bague d'étanchéité de l'arbre à palettes	1
3	Douille de fixation	1
4	Palier	1
5	Bague en acier	1
6	Arbre	1
7	Tête de l'arbre	1
8	Boîtier de l'arbre de montage	1
9	Bague de type E	1
10	Arbre à palettes	1
11	Axe de l'arbre	1
12	Arbre cannelé	1
13	Bague	1
14	Bague lubrifiée	1
15	Bague anti-vibration du moteur	1
16	Vis du moteur	4
17	Plaque de fixation moteur	1
18	Gaine cannelée	1
19	Moteur	1
20	Boîtier droit	1
21	Boîtier gauche	1
22	Couvercle d'absorption du moteur	2
23	Vis de montage du moteur	2
24	Écrou de montage des boîtiers gauche et droite	2
25	Ventilateur du moteur	1
26	Boîtier supérieur	1
27	Vis de montage des boîtiers	2
28	Bouton caoutchouc Marche / Arrêt	1
29	Support de fixation de l'interrupteur	1
30	Panneau d'alimentation	1
31	Vis de montage	5
32	Panneau de contrôle	1
33	Couvercle supérieur	1
34	Vis de montage du boîtier supérieur	2
35	Autocollant des commandes	1
36	Réducteur de tension	1
37	Cordon d'alimentation avec fiche	1
38	Bague de fixation du moteur	1



## Schéma électrique



## Garantie

Tout vice ou toute défaillance entraînant un dysfonctionnement de l'appareil qui se déclare dans les 12 mois suivant la date de l'achat sera éliminé à titre gratuit ou l'appareil sera remplacé par un appareil nouveau si le premier a été dûment exploité et entretenu conformément aux termes de la notice d'exploitation et s'il n'a pas été indûment exploité ou de manière non conforme à sa destination. La présente stipulation ne porte pas de préjudice aux autres droits de l'utilisateur prévus par les dispositions légales. Dans le cas où l'appareil est donné à la réparation ou doit être remplacé

dans le cadre de la garantie, il y a lieu de spécifier le lieu et la date de l'achat de l'appareil et produire un justificatif nécessaire (par ex. facture ou ticket de caisse).

Conformément à notre politique d'amélioration permanente de nos produits, nous nous réservons le droit d'introduire sans avertissement préalable des modifications à l'appareil, à l'emballage et aux caractéristiques techniques précisées dans la documentation.

## Élimination et protection de l'environnement

En cas de retrait du produit de l'exploitation l'appareil ne peut pas être jeté avec d'autres déchets ménagers. L'utilisateur est responsable de la remise de l'équipement au point de collecte approprié pour l'équipement usagé. Le non-respect des dispositions ci-dessus peut entraîner les pénalités conformément à la réglementation applicable en matière d'élimination des déchets. La collecte sélective et le recyclage des équipements usagés contribuent à la conservation des ressources natu-

relles et assurent un recyclage sans danger pour la santé et l'environnement.

Pour plus d'informations sur les endroits de collecte des équipements usagés pour le recyclage, contactez la société de collecte des déchets locale. Le producteur et l'importateur ne sont pas responsables du recyclage et du traitement des déchets d'une manière respectueuse de l'environnement directement et dans le système public.



Gentile Cliente,

Grazie per aver acquistato questo apparecchio Hendi. Leggere attentamente questo manuale, prestando particolare attenzione alle norme di sicurezza descritte di seguito, prima di installare e utilizzare questo apparecchio per la prima volta.

## Norme di sicurezza

- Questo apparecchio è destinato all'uso commerciale.
- Utilizzare l'apparecchio solo per lo scopo previsto per il quale è stato progettato come descritto nel presente manuale.
- Il produttore non è responsabile per eventuali danni causati da un funzionamento scorretto e da un uso improprio.
- Tenere l'apparecchio e la spina elettrica lontano da acqua e altri liquidi. Nel caso in cui l'apparecchio cada in acqua, rimuovere immediatamente la spina di alimentazione dalla presa. Non utilizzare l'apparecchio fino a quando non è stato controllato da un tecnico certificato. Il mancato rispetto di queste istruzioni causerà rischi pericolosi per la vita.
- Non tentare mai di aprire l'alloggiamento dell'apparecchio da soli.
- Non inserire oggetti nell'alloggiamento dell'apparecchio.
- Non toccare la spina con le mani bagnate o umide.
- ⚠ **Pericolo di scosse elettriche!** Non tentare di riparare l'apparecchio da solo, le riparazioni devono essere eseguite solo da personale qualificato.
- **Non utilizzare mai un apparecchio danneggiato!** Quando è danneggiato, scollegare l'apparecchio dalla presa e contattare il rivenditore.
- **Avvertimento!** Non immergere le parti elettriche dell'apparecchio in acqua o altri liquidi.
- Non tenere mai l'apparecchio sotto l'acqua corrente.
- Controllare regolarmente la spina e il cavo di alimentazione per eventuali danni. Se danneggiato, deve essere sostituito da un agente di servizio o da una persona altrettanto qualificata al fine di evitare pericoli o lesioni.
- Assicurarsi che il cavo non entri in contatto con oggetti appuntiti o caldi e tenerlo lontano dal fuoco aperto. Non tirare mai il cavo di alimentazione per scollegarlo dalla presa, staccare sempre la spina.
- Assicurarsi che il cavo di alimentazione e/o la prolunga non causino rischi di inciampare.
- Non lasciare mai l'apparecchio incustodito durante l'uso.
- **Avvertimento!** Finché la spina si trova nella presa, l'apparecchio è collegato alla fonte di alimentazione.
- Spegnerne l'apparecchio prima di scollegarlo dalla presa.
- Collegare la spina di alimentazione a una presa elettrica facilmente accessibile in modo che in caso di emergenza l'apparecchio possa essere scollegato immediatamente.
- Non portare mai l'apparecchio con il cavo.
- Non utilizzare dispositivi aggiuntivi non forniti insieme all'apparecchio.
- Collegare l'apparecchio a una presa elettrica solo con la tensione e la frequenza indicati sull'etichetta dell'apparecchio.

IT




- Non utilizzare mai accessori diversi da quelli consigliati dal produttore. In caso contrario, potrebbe comportare un rischio per la sicurezza dell'utente e danneggiare l'apparecchio. Utilizzare solo parti e accessori originali.
- Questo apparecchio non deve essere utilizzato da persone con capacità fisiche, sensoriali o mentali ridotte o da persone che hanno una mancanza di esperienza e conoscenze.
- Questo apparecchio non deve, in nessun caso, essere utilizzato dai bambini.
- Tenere l'apparecchio e il suo cavo di alimentazione fuori dalla portata dei bambini.
- **ATTENZIONE:** spegnere SEMPRE l'apparecchio e scollegarlo dalla presa di corrente prima della pulizia, della manutenzione o della conservazione.

---

## Norme speciali di sicurezza


- Utilizzare l'apparecchio solo in conformità con le presenti istruzioni. L'apparecchio è destinato solo all'uso all'interno.
- L'apparecchio deve essere installato o utilizzato unicamente da personale di cucina addestrato in punti di industria alimentare per esempio quei che forniscono i servizi di catering, in ristoranti, in bar ecc.
- Tutte le operazioni di manutenzione, di installazione e la riparazione dell'apparecchio devono essere eseguite da un personale tecnico, qualificato o autorizzato.
- Tenere l'apparecchio lontano da qualsiasi superfici calde o fiamme libere. Posizionare l'apparecchio su una superficie stabile, pulita, asciutta e resistente alle alte temperature.
- Se necessario durante il funzionamento dell'apparecchio utilizzare gli indumenti di protezione, la maschera o gli occhiali di sicurezza.
- L'apparecchio non è progettato per funzionare tramite un timer esterno o un sistema di telecomando separato.
- **AVVERTENZA:** Non ostruire le aperture di ventilazione.
- **AVVERTENZA:** Durante il funzionamento dell'apparecchio non mettere le mani o gli utensili da cucina nel contenitore, riducendo così il rischio di lesioni gravi e/o i danni al frullatore.
- Assicurare almeno 30 cm di spazio intorno all'apparecchio per evitare qualsiasi rischio.
- **Attenzione!** Far passare e proteggere il cavo di alimentazione per evitare tirature accidentali o contatto con le lame rotanti.
- Non immergere il braccio dell'apparecchio in un contenitore con acqua o in un altro liquido se il livello non supera i 5 cm.
- Non utilizzare l'apparecchio per molto tempo per evitare il surriscaldamento. L'apparecchio non deve funzionare in modo continuo per più di 3 minuti. L'apparecchio può essere riutilizzato dopo il raffreddamento.
- Non utilizzare l'apparecchio se il braccio non è stato inserito nel contenitore.
- Non toccare la lama o altre parti in movimento durante il funzionamento. Non toccare le parti in movimento con le mani o gli utensili da cucina durante il funzionamento; legare i capelli.

- Non lavare l'apparecchio con acqua o un forte getto di acqua. La pulizia dell'apparecchio con l'acqua può causare la penetrazione nei componenti elettrici e causare una scossa elettrica. Le parti dell'apparecchio non possono essere lavate in lavastoviglie.
- Per evitare i danni al cavo di alimentazione, non schiacciare, piegare o pendere il cavo su bordi taglienti. Tenere il cavo di alimentazione lontano da superfici calde e fiamme aperti. Non avvicinare le lame rotanti al cavo di alimentazione.
- Far scorrere il cavo di alimentazione in modo per impedire il tiro accidentale o l'intervento del cavo.
- Non pulire l'apparecchio o stoccarlo in deposito prima di raffreddamento completo.
- **Pericolo di lesioni!** Fare attenzione durante la rimozione di lame affilate e durante la pulizia.
-  Il frullatore è un apparecchio della II classe di protezione.

### Uso previsto

- Il dispositivo è destinato all'uso professionale.
- Questo apparecchio è destinato esclusivamente a frantumare, mescolare, schiacciare, frullare alimenti morbidi in un contenitore. L'uso del dispositivo per qualsiasi altro scopo può causare danni o lesioni.
- L'uso del dispositivo per qualsiasi altro scopo sarà considerato un uso improprio. L'utente sarà l'unico responsabile per l'uso scorretto del dispositivo.

### Elementi principali dell'apparecchio

1. L'interruttore ON/OFF  : Premere e mantenere perché l'apparecchio funziona in modo continuo.
2. Aumento di velocità di rotazione + :  
Aumentare la velocità di rotazione - da 1 a 6
3. Riduzione di velocità di rotazione - :  
Diminuire la velocità di rotazione - da 1 a 6
4. Display LCD: Il display visualizza la velocità di rotazione attuale
5. Maniglia
6. Fori di ventilazione
7. Braccio di miscelazione amovibile
8. Lama
9. Copertura delle lame
10. Corpo (con il motore)



---

### Preparazione prima del primo uso

- Rimuovere e eliminare l'imballaggio e le protezioni.
- Controllare l'apparecchio e gli accessori per la completezza ed eventuali danni durante il trasporto. In caso di consegna incompleta (ad es. accessori che mancano) o di danni contattare il fornitore. NON utilizzare l'apparecchio. (vedere ==> Garanzia).
- Pulire tutte le parti secondo le istruzioni (Vedere ==> Pulizia e manutenzione).
- Verificare che il prodotto è completamente asciutto.
- Preparare gli ingredienti.

---

### Prima del primo uso

- Leggere attentamente le istruzioni prima dell'installazione e dell'utilizzazione l'apparecchio.
- Assicurarsi che l'apparecchio è stato posizionato su una superficie asciutta, resistente, in un luogo dove non ci sono oggetti che potrebbero costituire un ostacolo al funzionamento.
- Controllare se le caratteristiche dell'apparecchio sulla targhetta corrispondono ai parametri della presa di corrente a cui l'apparecchio deve essere collegato.
- Assicurarsi che il braccio (7) sia montato correttamente sul corpo col motore (10).

---

### Trasporto

- Non spostare l'apparecchio durante il suo funzionamento. Se si vuole spostare l'apparecchio in un altro luogo, staccare la spina dalla presa di corrente
- Durante lo spostamento tenere la maniglia dell'apparecchio.

---

### Funzionamento

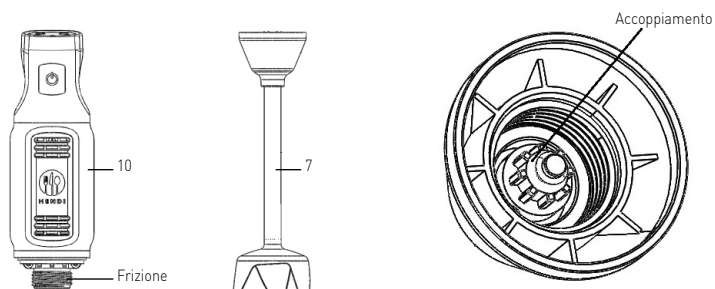
#### Seguire sempre le istruzioni di sicurezza riportate di seguito!

- Assicurarsi sempre che l'apparecchio è stato scollegato dalla fonte di alimentazione prima di montare il braccio di miscelazione (7) al corpo.
- Non mettere mai le mani nel contenitore per alimenti (non incluso). Per la miscelazione utilizzare sempre la spatola (legno o plastica); Utilizzare la spatola solo se l'apparecchio non funziona.
- Non utilizzare l'apparecchio quando il contenitore è vuoto o per mescolare i prodotti duri, liquido caldo, pasta dura, ecc. per evitare il surriscaldamento del frullatore.
- **ATTENZIONE!** Scollegare il cavo di alimentazione immediatamente dopo l'uso.

## Montaggio/smontaggio delle parti dell'apparecchio

Il montaggio / lo smontaggio delle parti dell'apparecchio deve essere eseguito con l'apparecchio spento e scollegato dalla rete elettrica.

### Unità principale (10) e miscelatore (7):



#### Smontaggio:

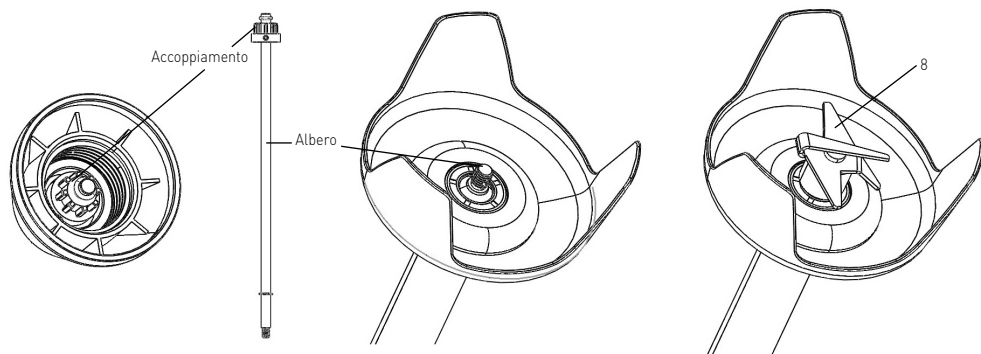
1. Tenere l'unità principale (10) e svitare il miscelatore (7) in senso orario fino a quando non è completamente staccato.

#### Montaggio:

1. Allineare l'accoppiamento della parte del miscelatore (7) alla frizione dell'unità principale (10).
2. Avvitare il miscelatore (7) in senso antiorario fino a quando non è completamente serrato.

### Miscelatore e (7) e lama (8):

**ATTENZIONE!** Si prega di indossare i guanti protettivi per lo smontaggio (non inclusi)



#### Smontaggio:

1. Tenere il giunto della parte di fusione (7) e svitare la lama (8) in senso antiorario fino a quando non è completamente staccata.
2. Tenere la parte di miscelazione (7) ed estrarre l'albero.

#### Montaggio:

1. Inserire l'albero nel miscelatore (7) fino a quando non è completamente inserito.
2. Tenere il giunto della parte del miscelatore (7) e avvitare la lama in senso orario fino a quando non è completamente serrata.



L'apparecchio è destinato per	<ul style="list-style-type: none"> <li>• Mescolare i succhi e i cocktail.</li> <li>• Mescolare i prodotti morbidi (ad es. pasta per crepe o maionese)</li> <li>• Mescolare le verdure per preparare zuppe (ad es. zuppe di carote, ecc.)</li> </ul>
Preparazione:	<ul style="list-style-type: none"> <li>• Pelare e tagliare gli elementi alimentari inutili. Tagliare le verdure / la frutta in piccoli pezzi.</li> <li>• Mettere gli ingredienti in un contenitore adatto di una capacità da 1 a 4 litri.</li> </ul>
Tempo di lavoro massimo è continuo	3 minuti - il funzionamento più lungo può surriscaldare il motore. Riattivare l'apparecchio dopo il raffreddamento.

- Dopo aver collegato l'apparecchio alla presa di corrente, il display LCD (4) visualizzerà il valore "3".
- Mettere il braccio di miscelazione (7) nel contenitore per alimenti (non fornito con l'apparecchio). Prima di avviare l'apparecchio, immergere l'intera lama (8) negli ingredienti posizionati nel contenitore.

**ATTENZIONE:** Non immergere mai il braccio di miscelazione (7) sopra il livello **massimo** contrassegnato.

- Tenere fermamente il corpo dell'apparecchio (10) con una mano, tenendo l'altra sul contenitore.
- Premere e mantenere ON/OFF (1) - l'apparecchio funzionerà in modo continuo.
- Spostare delicatamente l'apparecchio su e giù per mescolare in modo uniforme gli ingredienti.
- Per evitare gli spruzzi della miscela, non togliere il braccio dal frullatore mentre l'apparecchio funziona.

- Selezionare la velocità della lama premendo il pulsante + (2) o - (3) (Intervallo di velocità: da 1 a 6) durante il funzionamento. Il display LCD visualizza (4) la velocità selezionata. Attenzione: non è necessario premere contemporaneamente il pulsante ON / OFF (1) quando si seleziona la velocità.
- Dopo aver terminato il lavoro, rilasciare il pulsante ON/OFF (1), e l'apparecchio si spegne.
- Attendere fino a quando la lama (8) si ferma. Quindi scollegare l'apparecchio dalla fonte di alimentazione rimuovendo la spina dalla presa elettrica.
- Ruotare il corpo (10) in senso orario per scollegare il braccio di miscelazione (7) per la pulizia.

Attenzione:

1. Premere e mantenere il pulsante di riduzione „+“ (2) o di aumento „-“ (3) del valore per poter impostare rapidamente il valore selezionato.
2. La velocità predefinita della lama è "3".

## Pulizia e manutenzione

**Attenzione:** Prima di pulire e smontare il braccio di miscelazione (7), spegnere sempre l'apparecchio dalla presa e lasciarlo raffreddare completamente.

### Pulizia

- Rimuovere tutti gli elementi non necessari che si trovano vicino alla lama.
- Posizionare il braccio e la punta in un contenitore adatto pieno di acqua pulita e accendere la macchina per alcuni secondi. Non immergere il braccio in acqua o in altri liquidi oltre il livello **massimo**.

- Non immergere mai il motore o la maniglia nell'acqua - queste parti devono essere pulite con un panno umido o con la spugna.

**AVVERTENZA:** Dopo il lavaggio asciugare sempre accuratamente le lame per evitare qualsiasi ruggine.

Pulizia raccomandata dell'apparecchio:

Elemento	Pulizia	Frequenza
Corpo (con il motore) (10)	<ul style="list-style-type: none"> <li>• Non immergere il corpo (10) in acqua o in altri liquidi.</li> <li>• Utilizzando un panno umido con un detersivo lavare e disinfettare</li> </ul>	Dopo ogni l'utilizzo.
Braccio di miscelazione (7)	<ul style="list-style-type: none"> <li>• Pulire con acqua tiepida e un detersivo delicato. Non immergere mai il braccio di miscelazione amovibile (7) sopra il livello <b>massimo</b> contrassegnato.</li> <li>• Asciugare completamente tutte le parti prima di riutilizzarle.</li> </ul>	
Lama (8)	<ul style="list-style-type: none"> <li>• Attenzione! Pericolo di lesioni! Fare attenzione durante la pulizia delle lame.</li> <li>• Lavare con l'acqua calda e un detersivo delicato.</li> <li>• Dopo la pulizia asciugare completamente.</li> </ul>	

### Stoccaggio


- Prima di pulire l'apparecchio e posizionare l'apparecchio in un luogo lo stoccaggio, scollegarlo dalla presa elettrica e attendere fino a che raffredda completamente.
- Conservare in un luogo fresco, asciutto e pulito.

### Risoluzione dei problemi

Se l'apparecchio non funziona correttamente, leggere la tabella qui sotto per trovare la soluzione corretta. Se non è possibile risolvere il problema, contattare il rivenditore.

Problema	Causa possibile	Soluzione possibile
L'apparecchio non si avvia.	La spina non è correttamente collegata ad una fonte di alimentazione.	Verificare che la spina è correttamente collegata alla presa di corrente.
	L'interruttore ON/OFF (1) non è premuto.	Per avviare l'apparecchio, premere e mantenere il pulsante ON/OFF (1).
L'apparecchio emette suoni non standard quando mescolano prodotti alimentari.	Il braccio di miscelazione (7) non è stato correttamente montato.	Smontare e montare di nuovo il braccio di miscelazione (7).
L'apparecchio non funziona.	La protezione da surriscaldamento integrata è stata attivata.	Prima di riavviare, aspettare che l'apparecchio si raffredda completamente.
L'apparecchio si è surriscaldato.	L'apparecchio è stato utilizzato troppo a lungo.	Rilasciare il pulsante ON/OFF e scollegare l'apparecchio dalla fonte di alimentazione. Attendere 10 minuti fino a quando il motore non sia raffreddato.

### Specifiche tecniche

Numero del prodotto: 222157  
 Tensione e frequenza: 230V~ / 50Hz  
 Consumo di energia: 250W  
 Classe di protezione: Class II 

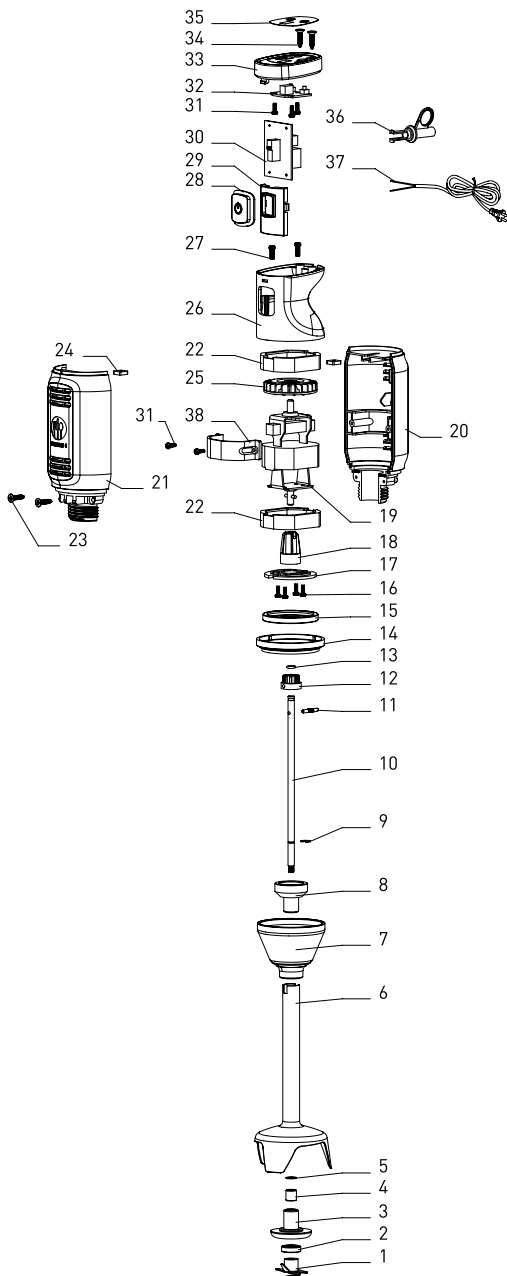
Classe di resistenza all'acqua: IP23  
 Dimensioni: circa 71 x 71 x (altezza) 444 mm  
 Peso netto: circa 1,6kg  
 Velocità rotativa (giri./min): circa 6,600 do 13,500  
 Livello di rumore massimo: < 85dB(A)

**Nota: Le specifiche tecniche sono soggette a modifiche senza preavviso.**



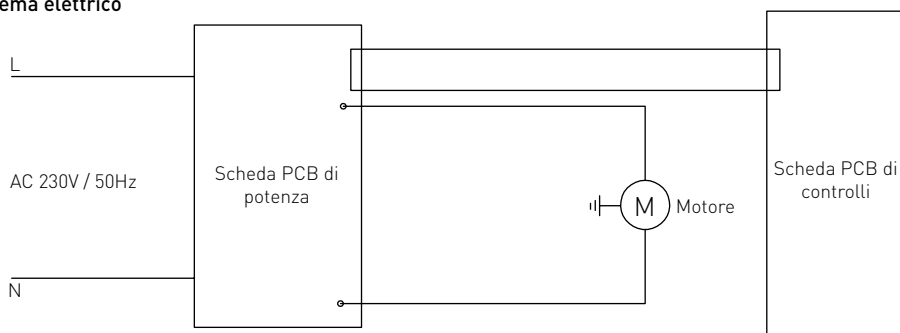
## Elenco delle parti per il modello 222157

Pezzo n.	Nome del pezzo	Quantità
1	Gruppo lama al titanio	1
2	Anello di tenuta dell'albero della lama	1
3	Boccola di fissaggio	1
4	Cuscinetto	1
5	Anello di acciaio	1
6	Albero	1
7	Testa dell'albero	1
8	Carter dell'albero di montaggio	1
9	Anello a E	1
10	Albero della lama	1
11	Perno dell'albero della lama	1
12	Albero scanalato	1
13	Anello di tenuta anti-vibrazione	1
14	Anello rivestito	1
15	Anello anti-vibrazione per motore	1
16	Vite per motore	4
17	Piastra di fissaggio del motore	1
18	Manicotto scanalato	1
19	Motore	1
20	Chiusura destra	1
21	Chiusura sinistra	1
22	Copertura assorbente del motore	2
23	Viti di montaggio del motore	2
24	Dado di montaggio chiusura destra e sinistra	2
25	Ventola del motore	1
26	Chiusura superiore	1
27	Viti di montaggio di tutte le chiusure	2
28	Gomma del pulsante on / off	1
29	Telaio di fissaggio del pulsante	1
30	Scheda di alimentazione	1
31	Viti di montaggio	5
32	Pannello di controllo	1
33	Copertura posteriore	1
34	Vite di montaggio della chiusura superiore	2
35	Adesivo di controllo	1
36	Scarico della trazione	1
37	Cavo di alimentazione con spina	1
38	Telaio di fissaggio del motore	1





## Schema elettrico



## Garanzia

Qualsiasi difetto che influenzi la funzionalità del dispositivo che compaia entro un anno dall'acquisto sarà corretto a titolo interamente gratuito o con la sostituzione del prodotto che è stato utilizzato e sottoposto a manutenzione corretta seguendo le istruzioni, senza alcuna violazione. I diritti legali del cliente non sono assolutamente modificati. Nel caso in cui l'intervento di manutenzione o sostitu-

zione sia previsto nel periodo di validità della garanzia, precisare dove e quando si è acquistato il prodotto, possibilmente allegando lo scontrino.

In linea con la nostra politica di sviluppo continuo dei prodotti, ci riserviamo il diritto di modificare il prodotto, l'imballo e le specifiche di documentazione, senza notifica alcuna.

## Smaltimento e protezione dell'ambiente

In caso di ritiro dell'apparecchiatura dal funzionamento il prodotto non può essere smaltito con altri rifiuti domestici. L'utente è responsabile della consegna dell'attrezzatura al punto di raccolta appropriato per l'attrezzatura usata. Il mancato rispetto delle disposizioni sopramenzionate può comportare l'imposizione di sanzioni in conformità con le normative vigenti in materia di smaltimento dei rifiuti. La raccolta e il riciclaggio selettivi di attrezzature usate contribuiscono alla conservazione delle risorse naturali e garantiscono il riciclaggio

in modo tale da non nuocere alla salute e all'ambiente.


Per ulteriori informazioni sui luoghi di smaltimento delle apparecchiature usate per il riciclaggio, contattare la società locale di raccolta dei rifiuti. Il produttore e l'importatore non sono responsabili per il riciclaggio e il trattamento dei rifiuti in modo ecologico, sia direttamente che nel quadro del sistema pubblico.



Stimate client,

Vă mulțumim pentru achiziționarea acestui aparat Hendi. Citiți cu atenție acest manual, acordând o atenție deosebită reglementărilor de siguranță prezentate mai jos, înainte de a instala și utiliza acest aparat pentru prima dată.

## Regulile de siguranță


- Acest aparat este destinat uzului comercial.
- Utilizați aparatul numai în scopul pentru care a fost proiectat conform descrierii din acest manual.
- Producătorul nu este răspunzător pentru nici o deteriorare cauzată de funcționarea incorectă și de utilizarea necorespunzătoare.
- Păstrați aparatul și ștecherul departe de apă și de alte lichide. În cazul în care aparatul cade în apă, scoateți imediat ștecherul de alimentare din priză. Nu utilizați aparatul înainte de verificarea acestuia de către un tehnician certificat. Nerespectarea acestor instrucțiuni va cauza riscuri care pun viața în pericol.
- Nu încercați niciodată să deschideți singur carcasa aparatului.
- Nu introduceți obiecte în carcasa aparatului.
- Nu atingeți ștecherul cu mâinile umede sau umede.
-  **Pericol de șoc electric!** Nu încercați să reparați singur aparatul, reparațiile trebuie efectuate numai de personal calificat.
- **Nu folosiți niciodată un aparat deteriorat!** Când este deteriorat, deconectați aparatul de la priză și contactați distribuitorul.
- **Avertisment!** Nu scufundați părțile electrice ale aparatului în apă sau alte lichide.
- Nu țineți niciodată aparatul sub jet de apă.
- Verificați cu regularitate ștecherul și cablul de alimentare pentru orice deteriorare. În cazul deteriorării, acesta trebuie înlocuit de un agent de service sau de o persoană calificată în mod similar, pentru a evita pericolul sau rănirea.
- Asigurați-vă că cablul nu intră în contact cu obiecte ascuțite sau fierbinți și păstrați-l departe de focul deschis. Nu trageți niciodată cablul de alimentare pentru a-l deconecta de la priză, trageți întotdeauna ștecherul în schimb.
- Asigurați-vă că cablul de alimentare și/sau cablul prelungitor nu provoacă pericol de deplasare.
- Nu lăsați niciodată aparatul nesupravegheat în timpul utilizării.
- **Avertisment!** Atâta timp cât ștecherul este în priză, aparatul este conectat la sursa de alimentare.
- Opriti aparatul înainte de a-l deconecta de la priză.
- Conectați ștecherul la o priză electrică ușor accesibilă, astfel încât, în caz de urgență, aparatul să poată fi deconectat imediat.
- Nu purtați niciodată aparatul de cablu.
- Nu utilizați dispozitive suplimentare care nu sunt furnizate împreună cu aparatul.
- Conectați aparatul numai la o priză electrică cu tensiunea și frecvența menționate pe eticheta aparatului.

- Nu folosiți niciodată alte accesorii decât cele recomandate de producător. Nerespectarea acestui lucru ar putea reprezenta un risc de siguranță pentru utilizator și ar putea deteriora aparatul. Utilizați numai piese originale și accesorii.
- Acest aparat nu trebuie operat de persoane cu capacități fizice, senzoriale sau mentale reduse sau de persoane care au o lipsă de experiență și cunoștințe.
- Acest aparat nu ar trebui, în nici un caz, să fie utilizat de copii.
- Nu lăsați aparatul și cablul de alimentare la îndemâna copiilor.
- **AVERTISMENT:** Opriti întotdeauna aparatul și deconectați de la priză înainte de curățare, întreținere sau depozitare.

## Regulamente speciale de siguranță

- Utilizați aparatul doar în conformitatea cu indicațiile din acest manual. A se utiliza doar la interior.
- Acest aparat trebuie utilizat și instalat de către personal instruit specializat în bucătăria industriilor alimentare, cum ar fi cele de catering, restaurante, baruri etc.
- Toate lucrările de întreținere, instalare și reparații trebuie efectuate de tehnicieni specializați, instruiți și autorizați.
- Țineți aparatul la distanță de suprafețele fierbinți și de focul deschis. Utilizați întotdeauna aparatul pe o suprafață orizontală, stabilă, curată, termorezistentă și uscată.
- În timpul funcționării purtați îmbrăcăminte de protecție, mască sau ochelari de protecție, dacă este nevoie.
- Acest aparat nu este conceput pentru a fi utilizat cu ajutorul unui cronometru extern sau al unui sistem de control separat.
- **AVERTISMENT:** Nu obstrucționați orificiile de ventilație ale aparatului.
- **AVERTISMENT:** Nu introduceți mâinile sau obiecte în vas în timpul funcționării pentru a reduce riscul de accidentare gravă și / sau de avarierea blenderului.
- Pentru evitarea pericolelor, lăsați cel puțin 20 cm în jurul aparatului.
- **Atenție!** Așezați corespunzător cablul de alimentare, dacă este cazul, pentru a împiedica tragerea neintenționată sau contactul cu lama aflată în mișcare.
- Nu scufundați axul în apă sau alt lichid sub 5 cm.
- Nu lăsați aparatul să funcționeze fără întreruperi pentru a evita supraîncălzirea motorului. Timpul de funcționare continuă nu trebuie să depășească 3 minute. Aparatul poate fi pornit din nou după ce s-a răcit.
- Nu utilizați dispozitivul în exteriorul vasului.
- Nu atingeți lama, apărătoarea lamei și piesele în mișcare. Feriți degetele, părul, hainele și ustensilele de toate piesele în mișcare.
- Nu spălați aparatul cu apă sau sub jet de apă. Spălarea cu apă poate produce scurgeri și crește riscul de electrocutare. Componentele nu pot fi curățate în mașina de spălat vase.
- Pentru a se evita deteriorarea cordonului, acesta nu trebuie strivit, îndoit sau frecat de muchii ascuțite. Țineți-l la distanță de suprafețele fierbinți și de focul deschis. Nu lăsați lamele rotative să atingă cordonul de alimentare.




- Așezați cordonul de alimentare în așa fel încât acesta să nu poată fi tras din greșeală sau să nu se agațe de ceva.
- Nu curățați și nu depozitați mașina decât după ce s-a răcit complet.
- **Pericol de accidentare!** Acordați atenție în timpul manipulării lamelor ascuțite și în timpul curățării.
-  Acest aparat are clasa de protecție II.

### Utilizare preconizată

- Acesta este un aparat de uz profesional.
- Acest aparat este destinat doar pentru pasarea, zdrobirea și amestecarea alimentelor pentru prepararea piureurilor, pasarea se efectuează doar în recipient adecvat. Orice altă utilizare poate provoca avarierea aparatului sau accidentarea persoanelor.
- Utilizarea aparatului în orice alt scop reprezintă o utilizare incorectă. Utilizatorul este singurul răspunzător de orice utilizare incorectă a aparatului.

### Piese principale ale aparatului

1. Comutator ON/OFF  : Țineți apăsat pentru funcționarea continuă. Eliberați butonul pentru a opri funcționarea.
2. Creșteți viteza setată + :
3. Reduceți viteza setată - :
4. Afișajul LCD: Arată viteza setată
5. Mâner
6. Orificii de ventilație
7. Componentă de amestecare detașabilă
8. Lamă
9. Apărătoarea lamei
10. Unitatea principală cu motorul



### Pregătiri înainte de utilizare

- Îndepărtați toate ambalajele și învelitorile de protecție.
- Verificați dacă aparatul este complet și dacă nu a suferit avarii în timpul transportului. În cazul în care produsul livrat nu este complet sau dacă există avarii luați imediat legătura cu furnizorul. NU utilizați aparatul. (Vezi ==> Garanție).
- Curățați aparatul înainte de utilizare (Vezi ==> Curățarea și întreținerea).
- Asigurați-vă că aparatul este complet uscat.
- Pregătirea ingredientelor alimentare pentru prelucrare.

## Înainte de utilizare

- Citiți acest manual cu atenție și rigurozitate înainte de utilizare.
- Verificați dacă aparatul este așezat într-un loc uscat, fără obstacole care să împiedice utilizarea.
- Verificați dacă sursa de alimentare cu electricitate corespunde plăcuței de identificare de pe aparat.
- Verificați dacă componenta de amestecare (7) este bine fixată pe corpul principal care conține motorul (10).

## Transportul

- Nu mutați aparatul în timp ce acesta funcționează. Ori de câte ori mutați aparatul în altă parte, acesta trebuie scos din priză.
- În timp ce deplasați aparatul acesta trebuie ținut de mâner.

## Modul de utilizare

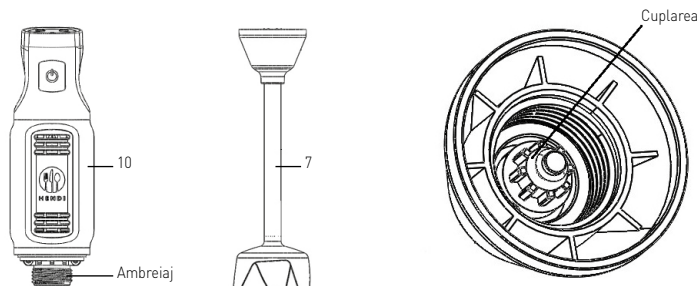
### Aceste recomandări de siguranță trebuie respectate în permanență!

- Înainte de a monta componenta de amestecare (7) pe aparat verificați dacă acesta este scos din priză.
- Nu introduceți niciodată mâna în vasul pentru alimente (nelivrat). Întotdeauna trebuie folosite spatule de lemn sau de plastic și doar atunci când aparatul nu funcționează.
- Nu porniți aparatul dacă în vas nu se află alimente și nici nu puneți în vas alimente tari, lichide fierbinți, cocă groasă etc. pentru a preveni supraîncălzirea aparatului.
- **AVERTISMENT!** Scoateți aparatul din priză imediat după utilizare.

## Asamblarea/dezasamblarea accesoriilor

Operațiunile de asamblare/dezasamblare a aparatului se realizează prin oprirea și deconectarea acestuia de la sursa de alimentare cu energie electrică.

### Unitatea principală (10) și partea de amestecare (7):



Dezasamblare:

1. Țineți unitatea principală (10) și înșurubați piesa de amestecare (7) în sens orar până când este complet detașată.

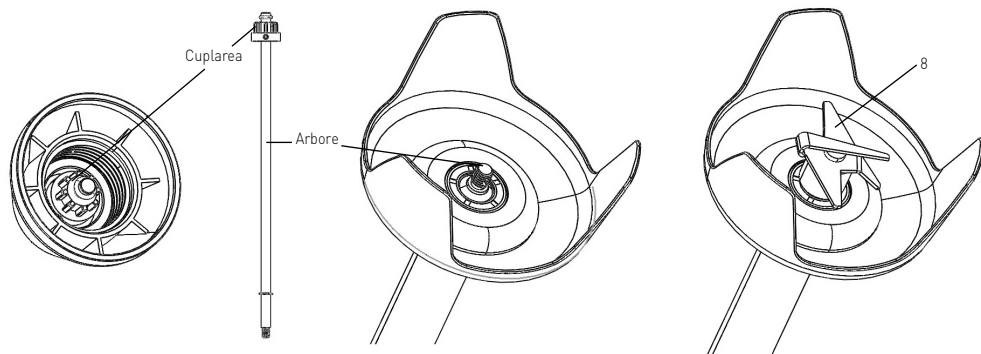
Montare:

1. Aliniați cuplajul piesei de amestecare (7) la ambreiajul unității principale (10).
2. Înfiletați piesa de amestecare (7) în sens invers acelor de ceasornic până la strângerea completă.

### Piesă de amestecare (7) și lamă (8):

**ATENȚIE!** Purtați mănuși de protecție pentru dezasamblare (nu sunt incluse)





### Dezasamblare:

1. Mențineți cuplajul piesei de amestecare (7) și deșurubați lama (8) în sens invers acelor de ceasornic până când se desprinde complet.
2. Țineți piesa de amestecare (7) și trageți axul afară.

### Montare:

1. Introduceți axul în piesa pentru amestecare (7) până la introducerea sa completă.
2. Țineți cuplajul piesei de amestecare (7) și înșurubați-l până când este complet strâns.

Adecvat pentru:	<ul style="list-style-type: none"> <li>• Amestecarea sucurilor și shake-urilor</li> <li>• Amestecarea ingredientelor moi (de exemplu aluatul pentru clătite sau maioneza).</li> <li>• Amestecarea zarzaturilor pentru supă (de exemplu morcovii etc.)</li> </ul>
Pregătirea:	<ul style="list-style-type: none"> <li>• Cojiți și curățați alimentele și tăiați-le în bucăți mici.</li> <li>• Puneți alimentele într-un vas cu o capacitate suficientă, de 1~4 litri.</li> </ul>
Timpul maxim de funcționare continuă	3 minute pentru a preveni supraîncălzirea motorului. Acționați din nou aparatul după răcire.

- După ce ați conectat ștecherul, pe afișajul LCD (4) va apărea cifra „3”.
- Introduceți componenta de amestecare (7) în vasul pentru alimente (neinclus). Scufundați lama (8) complet în ingrediente înainte de a porni aparatul.  
ATENȚIE: Nu trebuie să scufundați componenta de amestecare (7) dincolo de semnul **Max**.
- Țineți bine unitatea principală (10) cu o mână și vasul în care se face amestecul cu mâna cealaltă.
- Țineți apăsat butonul ON / OFF (1) și aparatul va începe să funcționeze continuu.
- Aplicați o mișcare ușoară de sus în jos pentru a amesteca lin ingredientele.
- Pentru a evita împrăștierea alimentelor nu scoateți aparatul din ingrediente cât timp acesta funcționează.

- Selectați viteza lamelor apăsând butonul + (2) sau - (3) (intervalul de viteză: 1 până la 6) în timpul funcționării. Pe afișajul LCD (4) se va afișa viteza lamei.  
Notă: Nu este nevoie să apăsați butonul ON/OFF (1) atunci când selectați viteza lamei.
- După utilizare eliberați butonul ON/OFF (1) pentru a opri aparatul.
- Așteptați până când lama (8) se oprește complet. Apoi deconectați aparatul de la priză electrică.
- Răsuciți unitatea principală (10) în sensul acelor de ceasornic pentru a demonta componenta de amestecare (7) pentru curățare.

### Notă:

1. Țineți apăsat butonul de creștere sau descreștere + (2) sau - (3) pentru un reglaj rapid.
2. Viteza instalată a lamei, după ce aparatul a fost pus în priză, este „3”.



## Curățare și Întreținere

**Atenție:** Scoateți întotdeauna aparatul din priză și lăsați-l să se răcească complet înainte de curățare și demontați componenta de amestecare (7).

### Curățare

- Îndepărtați toate obstacolele din apropierea lamei.
- Scufundați axul și vârful de amestecare într-un vas adecvat, cu apă curată, și porniți motorul pentru câteva secunde. Nu scufundați axul în lichid peste semnul **Max**.
- Nu scufundați niciodată motorul sau mânerul în apă; curățarea se face cu o cârpă sau un burete umezite.

**AVERTISMENT:** După spălare lamele trebuie întotdeauna șterse foarte bine pentru a nu lăsa să se formeze rugina.

Procedura recomandată de curățare:

Piese	Mod de curățare	Frecvență
Unitatea principală cu motorul (10)	<ul style="list-style-type: none"><li>• Nu scufundați niciodată această componentă în apă sau în alte lichide.</li><li>• Folosiți o lavetă umeză cu puțin detergent și apă, clătiți, igienizați și uscați complet.</li></ul>	Curățați după fiecare utilizare
Componenta de amestecare (7)	<ul style="list-style-type: none"><li>• Curățați cu apă călduță și puțin detergent slab. Nu scufundați componenta de amestecare detașabilă (7) dincolo de semnul Max.</li><li>• Uscați toate piesele înainte de reutilizare.</li></ul>	
Lama (8)	<ul style="list-style-type: none"><li>• Avertisment! Risc de accidentare! Trebuie multă atenție la curățarea lamelor.</li><li>• Curățați cu apă călduță și un pic de detergent slab.</li><li>• Uscați bine după curățare</li></ul>	

### Depozitare

- Asigurați-vă întotdeauna înainte de depozitare că aparatul a fost deconectat de la sursa de alimentare și s-a răcit complet.
- Depozitați aparatul într-un loc răcoros, curat și uscat și nu îl lăsați la îndemâna copiilor.

### Depanare

Dacă aparatul nu funcționează corespunzător, consultați tabelul de mai jos pentru a găsi soluția.

Dacă tot nu puteți rezolva problema, luați legătura cu furnizorul/agentul de service.

Probleme	Cauze posibile	Soluție posibilă
Aparatul nu pornește	Ștecherul nu este conectat la o sursă de curent corectă.	Verificați ștecherul pentru a vă asigura că este conectat la o priză corespunzătoare.
	Butonul ON/OFF (1) nu este apăsat.	Țineți apăsat butonul ON/OFF (1) pentru a porni aparatul.
Zgomote anormale în timpul funcționării	Componenta de amestecare (7) nu este cuplată corect.	Demontați componenta de amestecare (7) și montați-o la loc.
Aparatul nu funcționează	Dispozitivele de supraîncălzire interne se activează.	Lăsați aparatul să se răcească deplin înainte de a-l reporni.
Aparatul s-a supraîncălzit	Exploatare prelungită	Eliberați butonul ON/OFF (PORNIT/OPRIT) și scoateți aparatul din priză, așteptați 10 minute ca motorul să se răcească.



---

## Specificația tehnică

Articol nr.: 222157

Tensiune și frecvență de funcționare: 230V~ / 50Hz

Puterea nominală de intrare: 250W

Clasa de protecție: Clasa II 

Clasa de protecție contra apei : IP23

Dimensiune: aprox. 71 x 71 x (H) 444 mm

Greutate netă: aprox. 1,6 kg

Turația (rot/min): aprox. 6,600 până la 13,500

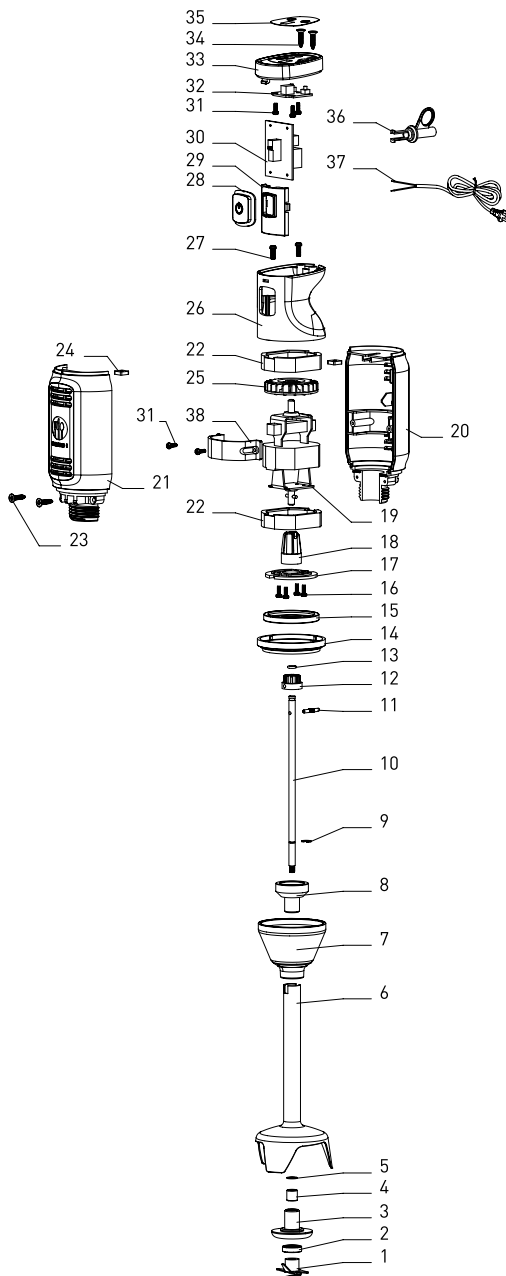
Nivel sonor: < 85dB(A)

**Observație:** Specificația tehnică poate fi modificată fără preaviz.

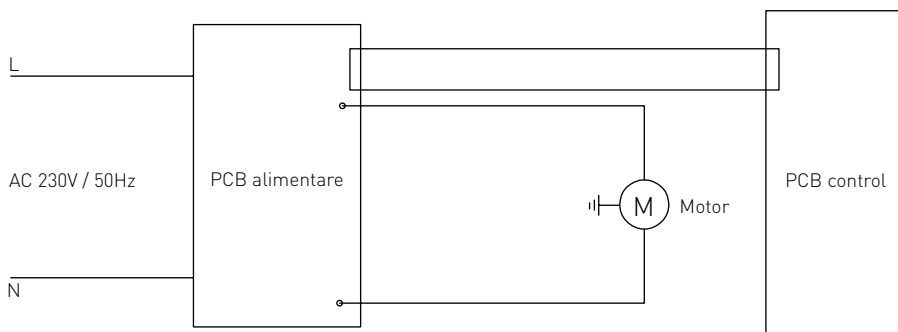


## Lista de piese pentru 222157

Piesă nr.	Denumirea piesei	Cantitatea
1	Ansamblu de lame din titan	1
2	Inel de etanșare pentru arborele de cuțit	1
3	Bucșă de fixare	1
4	Rulment	1
5	Inel din oțel	1
6	Arbore	1
7	Capătul arborelui	1
8	Capacul arborelui de montare	1
9	Inel în formă de E	1
10	Arbore de cuțit	1
11	Știft al axului lamei	1
12	Arbore cu caneluri	1
13	Inel de etanșare anti-vibrație	1
14	Inel placat	1
15	Inel anti-vibrație pentru motor	1
16	Șurub pentru motor	4
17	Placă de fixare a motorului	1
18	Manșon cu caneluri	1
19	Motor	1
20	Carcasă din partea dreaptă	1
21	Carcasă din partea stângă	1
22	Capac de amortizare al motorului	2
23	Șuruburi de montare a motorului	2
24	Piuliță de montare a carcasei stânga și dreapta	2
25	Ventilator motor	1
26	Carcasă superioară	1
27	Șurub de montare pentru toate carcasele	2
28	Buton de pornire/oprire din cauciuc	1
29	Cadru de fixare a butonului	1
30	Placă de alimentare	1
31	Șuruburi de montare	5
32	Panou de comandă	1
33	Capac superior	1
34	Șurub de montare pentru carcasa superioară	2
35	Autocolant comenzi	1
36	Protecție cablu	1
37	Cablu de alimentare cu ștecher	1
38	Cadru de fixare a motorului	1



## Diagrama circuitului



## Garanție

Orice defecțiune care afectează funcționarea aparatului apărută la mai puțin de un an de la cumpărarea acestuia va fi remediată prin reparație sau înlocuire gratuită, cu condiția ca aparatul să fi fost folosit și întreținut conform instrucțiunilor nu să nu fi fost bruscat sau folosit necorespunzător în vreun fel. Drepturile dumneavoastră legale nu sunt afec-

tate. Dacă aparatul este în garanție, menționați când și de unde a fost cumpărat și includeți dovada cumpărării (de ex. chitanța).

Conform politicii noastre de dezvoltare continuă a produsului, ne rezervăm dreptul de a modifica produsul, ambalajul și documentația fără notificare.

RO

## Eliminarea și mediul înconjurător


La dezafectarea aparatului, produsul nu trebuie aruncat împreună cu alte deșeuri menajere. În schimb, este responsabilitatea dumneavoastră să eliminați echipamentul uzat prin predarea acestuia la un punct de colectare desemnat. Nerespectarea acestei reguli poate fi penalizată în conformitate cu reglementările aplicabile privind eliminarea deșeurilor. Colectarea separată și reciclarea echipamentului dumneavoastră uzat la momentul debarasării contribuie la conservarea resurselor naturale și

asigură realizarea reciclării într-un mod care protejează sănătatea ființelor umane și a mediului. Pentru informații suplimentare privind modul în care puteți preda deșeurile dumneavoastră în scopul reciclării, vă rugăm să contactați compania locală de colectare a deșeurilor. Producătorii și importatorii nu își asumă responsabilitatea cu privire la reciclarea, tratarea și eliminarea ecologică a deșeurilor, fie direct, fie prin intermediul unui sistem public.



Благодарим Вас за покупку этого устройства HENDI. Внимательно прочитайте это руководство, обращая особое внимание на правила безопасности, изложенные ниже, перед установкой и использованием этого устройства в первый раз.

## Правила безопасности

- Это оборудование предназначено для коммерческого использования.
- Используйте прибор только по назначению, для которого он был разработан, как описано в данном руководстве.
- Изготовитель не несет ответственности за любой ущерб, вызванный неправильной работой и неправильным использованием.
- Держите прибор и электрическую вилку подальше от воды и других жидкостей. В случае, если прибор попадает в воду, немедленно снимите вилку питания с розетки. Не используйте устройство до тех пор, пока оно не будет проверено сертифицированным техническим специалистом. Несоблюдение этих инструкций приведет к угрожающей жизни опасности.
- Никогда не пытайтесь открыть корпус прибора самостоятельно.
- Не вставляйте объекты в корпус прибора.
- Не прикасайтесь к вилке мокрыми или влажными руками.
-  **Опасность поражения электрическим током!** Не пытайтесь самостоятельно отремонтировать прибор, ремонт должен проводиться только квалифицированный персонал.
- **Никогда не используйте поврежденный прибор!** Когда устройство повреждено, отсоедините устройство от розетки и обратитесь к продавцу.
- **Предупреждение!** Не погружайте электрические части прибора в воду или другие жидкости.
- Никогда не удерживайте прибор под проточной водой.
- Регулярно проверяйте штекер питания и шнур на наличие повреждений. В случае повреждения его необходимо заменить сервисным агентом или лицом, имеющим аналогичную квалификацию, с тем чтобы избежать опасности или травм.
- Убедитесь, что шнур не соприкасается с острыми или горячими предметами и держите его подальше от открытого огня. Никогда не тяните шнур питания, чтобы отсоединить его от розетки, всегда тяните вилку вместо нее.
- Убедитесь, что шнур питания и/или удлинитель не вызывают опасности аварии.
- Никогда не оставляйте прибор без присмотра во время использования.
- **Предупреждение!** Пока штекер находится в розетке, прибор подключается к источнику питания.
- Выключите устройство, прежде чем отсоединить его от розетки.
- Подключите вилку питания к легкодоступной электрической розетке, чтобы в случае аварийной ситуации устройство можно было немедленно отключить.
- Никогда не носите прибор за шнур.




- Не используйте дополнительные устройства, которые не поставляются вместе с устройством.
- Подключите прибор только к электрической розетке с напряжением и частотой, указанными на этикетке устройства.
- Никогда не используйте аксессуары, кроме тех, которые рекомендованы производителем. Невыполнение этого требования может представлять опасность для безопасности пользователя и привести к повреждению устройства. Используйте только оригинальные детали и аксессуары.
- Этот прибор не должен эксплуатироваться лицами с ограниченными физическими, сенсорными или умственными возможностями, или лицами, не имеющими опыта и знаний.
- Этот прибор ни при каких обстоятельствах не должен использоваться детьми.
- Держите устройство и его шнур питания в недоступном для детей месте.
- **ПРЕДУПРЕЖДЕНИЕ:** ВСЕГДА выключите устройство и отключите розетку от розетки перед очисткой, обслуживанием или хранением.

---

## Специальные правила безопасности

- Используйте устройство только в соответствии с руководством. Только для внутреннего использования.
- Устройство должно устанавливаться и эксплуатироваться только квалифицированным персоналом кухни на предприятиях общественного питания, таких как кейтеринг, рестораны, бары и т. п.
- Все работы по техническому обслуживанию, монтажу и ремонту должны выполняться квалифицированными, уполномоченными техническими специалистами.
- Храните вдали от горячих поверхностей и открытого огня. Установите устройство на ровную, стабильную, чистую и сухую поверхность, стойкую к высоким температурам.
- При необходимости, при работе с этим устройством, используйте защитную одежду, маски или защитные очки.
- Устройство не предназначено для обслуживания с помощью внешнего таймера или отдельного пульта дистанционного управления.
- **ПРЕДУПРЕЖДЕНИЕ:** Не закрывайте вентиляционные отверстия устройства.
- **ПРЕДУПРЕЖДЕНИЕ:** При использовании устройства помните, чтобы не класть руки или кухонные приборы в контейнер, тем самым уменьшая риск серьезной травмы и/или повреждения блендера.
- Для избежания риска, обеспечьте пространство около 20 см вокруг устройства.
- **Внимание!** Правильно прокладывайте и закрепляйте шнур питания, чтобы предотвратить случайное вытягивание или контакт с вращающимся ножом.
- Не погружайте съемную насадку в контейнер с водой или другой жидкостью, если её уровень не превышает 5 см.
- Не используйте устройство в течение длительного времени, чтобы избежать перегрева двигателя. Устройство не должно работать непрерывно более 3 минут. Устройство можно использовать повторно после охлаждения.


- Не используйте устройство, если съемная насадка не была помещена в контейнер.
- Не прикасайтесь к лезвию или другим движущимся частям во время работы устройства. Не прикасайтесь к движущимся частям руками или кухонными приборами во время работы устройства; завяжите волосы.
- Не мойте устройство водой или сильной струей. При мойке устройства вода может попасть в электрические детали и вызвать поражение электрическим током. Части устройства нельзя мыть в посудомоечной машине.
- Чтобы не повредить шнур питания, не сжимайте, не сгибайте и не перевешивайте через острые края. Держите шнур питания подальше от горячих поверхностей и открытого пламени. Не приближайте вращающихся ножей устройства к шнуру питания.
- Проложите шнур питания так, чтобы случайно его не вытянуть или о него не споткнуться.
- Не чистите и не помещайте устройство на хранение, пока оно полностью не остынет.
- **Опасность травмы!** Будьте осторожны при удалении острых ножей и при чистке устройства
-  Блендер – это устройство II класса защиты.

### Предполагаемое использование

- Устройство предназначено для профессионального использования.
- Этот прибор предназначен только для измельчения, перемешивания, затирания и приготовления пюре с подходящими мягкими продуктами в контейнере. Использование устройства для любых других целей может привести к повреждению или травме тела.
- Использование устройства для любых других целей будет рассматриваться, как использование не по назначению.

RU

### Основные части устройства

1. Кнопка N/OFF  : Нажмите и придержите, чтобы устройство работало непрерывно. Отпустите кнопку, чтобы остановить работу устройства.
2. Увеличение скорости вращения: Увеличьте скорость оборотов - от значения 1 до 6
3. Уменьшение скорости вращения: Уменьшайте скорость оборотов – от значения 1 до 6
4. ЖК-дисплей: на дисплее отображается текущая скорость оборотов
5. Ручка
6. Вентиляционные отверстия
7. Съемная насадка
8. Нож
9. Защита ножа
10. Корпус (с двигателем)



---

## Подготовка перед первым использованием

- Снимите и удалите упаковку и защиты.
- Проверьте комплектность устройства и возможные повреждения, полученные во время транспортировки. В случае неполной поставки или повреждений, немедленно свяжитесь с поставщиком. В случае неполной поставки или повреждений, НЕ пользуйтесь устройством. (Смотри ==> Гарантия).
- Очистите устройство (Смотри ==> Очистка и техническое обслуживание).
- Убедитесь, что устройство полностью сухое.
- Подготовьте ингредиенты.

---

## Перед использованием

- Внимательно ознакомьтесь с содержанием руководства перед использованием устройства.
- Убедитесь, что устройство установлено в сухом месте и что никакие предметы не мешают его работе.
- Убедитесь, что спецификация устройства на щитке соответствует параметрам электрической розетки, к которой вы собираетесь подключить устройство.
- Убедитесь, что съемная насадка (7) правильно установлена на корпусе с двигателем (10).

---

## Транспорт

- Не перемещайте устройство во время его работы. Перед перемещением устройства в другое место всегда отсоединяйте его от электрической розетки.
- При переноске удерживайте устройство за ручку.

RU

---

## Обслуживание

### Всегда соблюдайте следующие правила техники безопасности!

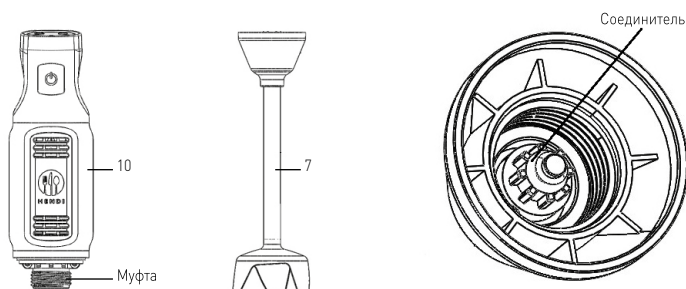
- Перед присоединением съемной насадки (7) к корпусу обязательно убедитесь, что устройство отключено от источника питания.
- Никогда не вкладывайте руки в контейнер для продуктов питания (не входит в комплект к устройству). Для смешивания всегда используйте лопатки (деревянные или пластиковые); лопатки используйте только тогда, когда устройство не работает.
- Не пользуйтесь устройством, когда контейнер пустой или для смешивания твердой пищи, горячей жидкости, твердого теста и т.п., чтобы предотвратить перегрев блендера.
- **ПРЕДУПРЕЖДЕНИЕ!** Отсоедините шнур питания сразу же после использования устройства.



## Установка / снятие насадок

Установка / снятие насадок устройства следует проводить, когда устройство выключено и отключено от сети питания.

### Корпус (10) и насадка (7):



Разборка:

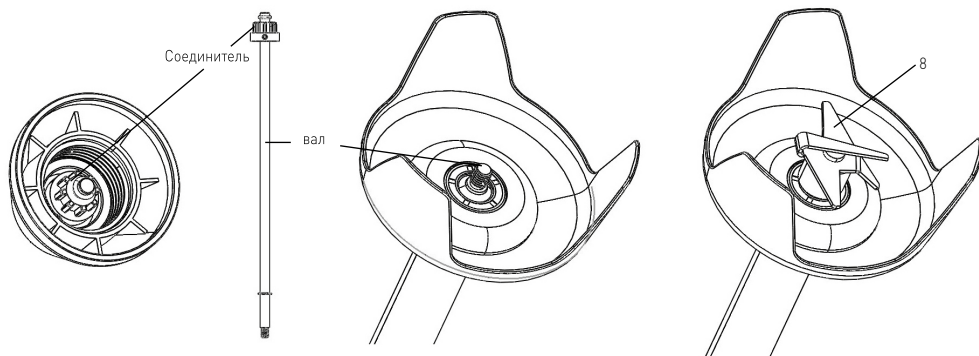
1. Удерживая корпус (10), крутить насадку (7) по часовой стрелке до полного отсоединения.

Сборка:

1. Совместить соединитель насадки (7) с муфтой корпуса (10).
2. Крутить насадку (7) против часовой стрелки до полной затяжки.

### Насадка (7) и нож (8):

**ВНИМАНИЕ!** При разборке надевайте защитные перчатки (не поставляются в комплекте).



Разборка:

1. Удерживая соединитель насадки (7), крутить нож (8) против часовой стрелки до полного отсоединения.
2. Удерживая насадку (7), вытащить вал.

Сборка:

1. Вставить вал в насадку (7) до полного введения.
2. Удерживая соединитель насадки (7), крутить нож по часовой стрелке до полной затяжки.

RU



Устройство подходит для	<ul style="list-style-type: none"> <li>• Смешивания соков или шейков.</li> <li>• Смешивания мягкой пищи (например, теста для блинов или майонеза).</li> <li>• Измельчения овощей для приготовления супов (например, морковного супа и т.п.)</li> </ul>
Подготовка	<ul style="list-style-type: none"> <li>• Очистите или отрежьте ненужные фрагменты пищевых ингредиентов; разрежьте овощи / фрукты на мелкие кусочки.</li> <li>• Поместите продукты в подходящий контейнер емкостью от 1 до 4 литров.</li> </ul>
Максимальное непрерывное рабочее время	3 минут - более продолжительная работа может привести к перегреву двигателя. Перед повторным включением дать двигателю остыть.

- После подключения устройства к электрической розетке на ЖК-дисплее (4) появится значение „3”.
- Поместите съемную насадку (7) в контейнер для пищевых продуктов (не прилагается к устройству). Перед запуском устройства погрузите весь нож (8) в ингредиенты, помещенные в контейнер.  
ПРИМЕЧАНИЕ. Никогда не погружайте съемную насадку (7) выше отмеченного максимального уровня.
- Крепко удерживайте корпус устройства (10) одной рукой, а другой придерживайте контейнер.
- Нажмите и придержите кнопку ON/OFF (1) - устройство будет работать непрерывно.
- Аккуратно перемещайте устройство вверх и вниз, чтобы равномерно перемешать ингредиенты.
- Чтобы предотвратить разбрызгивание смеси, не вынимайте насадки блендера во время работы устройства.
- Выбрать скорость при помощи кнопок + (2) или - (3) во время работы устройства (диапазон скоростей: от 1 до 6). На ЖК-дисплее (4) отображается выбранная скорость оборотов.
- Примечание. Нет необходимости одновременно нажимать кнопку ON/OFF (1) при выборе скорости оборотов.
- После окончания работы отпустите кнопку ON / OFF (1) и устройство выключится. - Подождите, пока ножи (8) не остановятся. Отключите устройство от источника питания, вынимая вилку из розетки.
- Поверните корпус (10) против часовой стрелки, пока насадка (7) не отсоединится. Вымойте насадку блендера.

#### Внимание:

1. Нажмите и удерживайте кнопку «-» (2) или увеличьте «+» (3) для быстрой установки желаемых значений.
2. Скорость вращения ножей по умолчанию является скорость „3”.

## Очистка и техническое обслуживание

**Замечание:** Перед чисткой и отсоединением съемной насадки (7) всегда выключайте устройство из розетки и дайте ему полностью остыть.

### Очистка

- Удалите все ненужные предметы, находящиеся рядом с ножом.
- Поместите насадку и наконечник в подходящий сосуд, наполненный чистой водой и включите устройство на несколько секунд. Не погружайте насадку в воду или другую жидкость выше **максимального** уровня.
- Никогда не погружайте двигатель или ручку в резервуар с водой - чистите детали влажной тканью или губкой.

**ПРЕДУПРЕЖДЕНИЕ.** После мытья всегда тщательно сушите лезвия, чтобы избежать ржавчины.





Рекомендуемый метод очистки устройства:

Детали	Очистка	Частота
Корпус (с двигателем) (10)	<ul style="list-style-type: none"> <li>Никогда не погружайте детали в воде или другой жидкости.</li> <li>Протрите влажной тканью с моющим средством, дезинфицируйте и тщательно высушите корпус.</li> </ul>	Мойте после каждого использования.
Съемная насадка (7)	<ul style="list-style-type: none"> <li>Мойте теплой водой с мягким моющим средством. Никогда не погружайте съемную насадку (7) выше отмеченного максимального уровня.</li> <li>Тщательно высушите все детали перед повторным использованием.</li> </ul>	
Нож (8)	<ul style="list-style-type: none"> <li>Внимание! Опасность травмирования! Будьте очень осторожны при чистке ножей.</li> <li>Промойте теплой водой и мягким моющим средством.</li> <li>После очистки тщательно осушите.</li> </ul>	

### Хранение

- Перед помещением на хранение, убедитесь, что устройство отключено от сети и полностью остыло.
- Храните устройство в холодном, чистом и сухом месте, недоступном для детей.

### Поиск и устранение неисправностей

Если устройство не работает должным образом, обратитесь к приведенной ниже таблице, чтобы найти правильное решение. Если вы не можете решить проблему, обратитесь к поставщику.

Проблема	Возможная причина	Возможное решение
Устройство не включается.	Вилка неправильно подключена к источнику питания.	Проверьте, правильно ли вилка подключена к источнику питания.
	Не нажата кнопка ON/OFF (1).	Чтобы запустить устройство, нажмите и придержите кнопку ON/OFF (1).
Устройство производит нестандартные звуки при смешивании пищевых продуктов.	Съемная насадка (7) неправильно подсоединена.	Отсоедините и снова подсоедините съемную насадку (7).
Устройство не работает.	Включилась защита от перегрева.	Подождите, пока устройство остынет перед очередным запуском.
Устройство перегрелось.	Слишком долгое время работало устройство	Отпустите кнопку ON / OFF и отсоедините устройство от источника питания; подождите 10 минут, пока двигатель остынет.

RU

### Техническая характеристика

№ продукта: 222157

Рабочее напряжение и частота: 230В~ / 50Гц

Потребляемая мощность: 250Вт

Степень защиты: II Класс



Класс влагозащиты: IP23

Размеры: прим. 71 x 71 x (выс.) 444 мм

Вес нетто: прим. 1,6 кг

Скорость вращения (об./мин): прим. 6,600 до 13,500

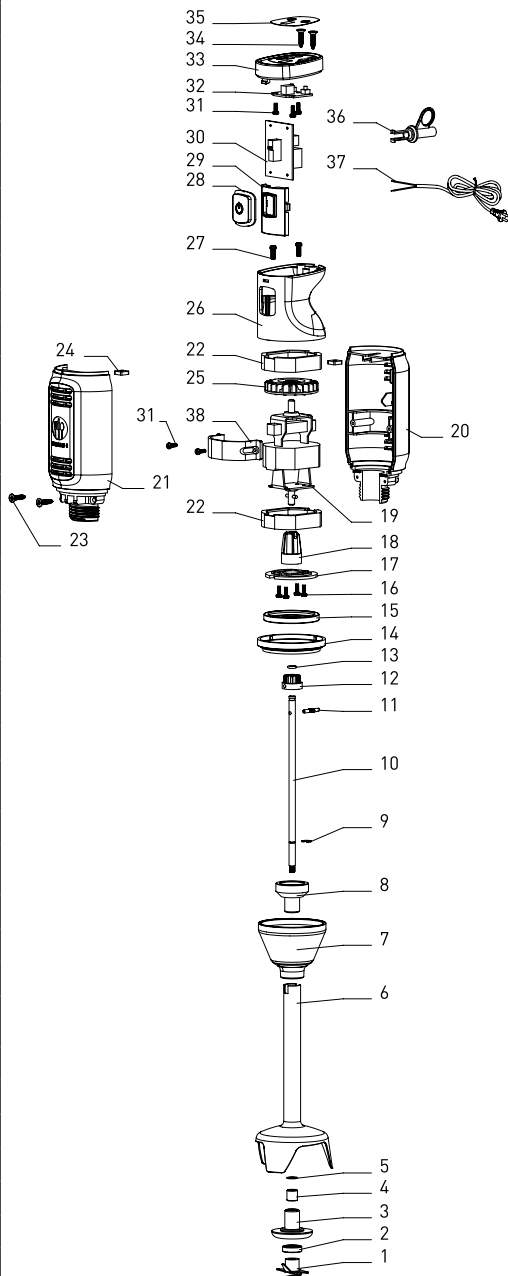
Уровень шума: < 85дБ(А)

**Внимание:** Техническая характеристика может быть изменена без предварительного уведомления.

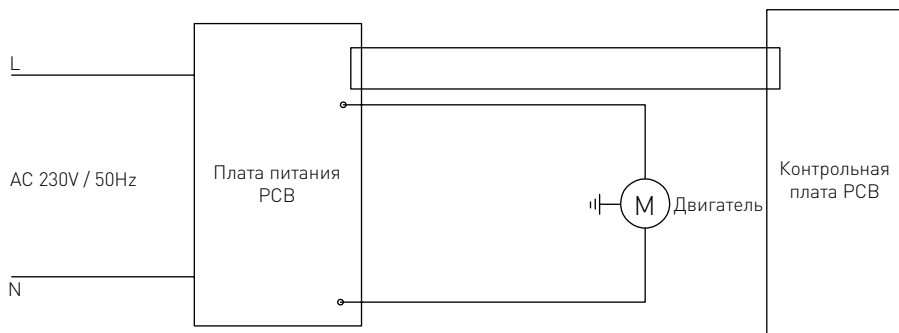


## Список деталей для модели 222157

№ детали	Название детали	Количество
1	Блок титановых лопастей	1
2	Уплотнительное кольцо лопастного вала	1
3	Крепление втулки	1
4	Подшипник	1
5	Стальное кольцо	1
6	Вал	1
7	Головка вала	1
8	Монтаж крышки вала	1
9	Е-образное кольцо	1
10	Лопастной вал	1
11	Штифт вала лезвия	1
12	Шлицевой вал	1
13	Антивибрационное уплотнительное кольцо	1
14	Кольцо с покрытием	1
15	Антивибрационное кольцо для мотора	1
16	Винт для мотора	4
17	Пластина крепления мотора	1
18	Шлицевой стакан	1
19	Мотор	1
20	Правый отсек	1
21	Левый отсек	1
22	Поглощающее покрытие двигателя	2
23	Монтажные винты двигателя	2
24	Монтажная гайка для левой и правой частей кожуха	2
25	Вентилятор двигателя	1
26	Верхний отсек	1
27	Монтажный винт для всех кожухов	2
28	Резиновая прокладка кнопки выключения	1
29	Шпонка крепления рамы	1
30	Силовая плата	1
31	Монтажные винты	5
32	Плата управления	1
33	Верхняя крышка	1
34	Монтажный винт верхнего кожуха	2
35	Контрольная наклейка	1
36	Разгрузочная муфта	1
37	Кабель питания с штекером	1
38	Рама крепления мотора	1



## Электрическая схема



## Гарантия

Любая неподелка или поломка, которая влечет за собой неправильную работу устройства, которая будет выявлена в течение первого года от даты покупки, будет устранена бесплатно, или же все устройство будет заменено новым, если оно эксплуатировалось и обслуживалось согласно инструкции по обслуживанию и не использовалось неправильно, или в разрез с назначением. Данное положение ни коей мере не нарушает иных прав потребителя, изложенных в законо-

дательстве. В случае заявления устройства в ремонт или на замену в рамках гарантии, следует указать место и дату покупки устройства и приложить счет, или чековую квитанцию.

Согласно нашей политике совершенствования наших продуктов оставляем за собой право на ввод изменений в конструкцию, упаковку и в технические параметры, указываемые в технической документации без предупреждения.

RU

## Утилизация и защита окружающей среды

В случае вывода оборудования из эксплуатации, продукт нельзя утилизировать вместе с другими бытовыми отходами. Пользователь несет ответственность за передачу оборудования в соответствующий пункт приёма техники бывшей в употреблении. Несоблюдение вышеуказанного положения может привести к наложению штрафов в соответствии с действующими правилами в отношении утилизации отходов. Селективный сбор и утилизация использованного оборудования способствуют сохранению природных ресурсов и обеспечивают рециркуляцию таким


образом, который не вреден для здоровья и окружающей среды.

Для получения дополнительной информации о том, где можно отдать использованное оборудование для утилизации, обратитесь в местную компанию по сбору отходов. Производитель и импортер не несут ответственности за рециркуляцию и переработку отходов экологически безопасным способом, как непосредственно, так и в рамках государственной системы.



Σας ευχαριστούμε για την αγορά αυτής της συσκευής HENDI. Διαβάστε προσεκτικά αυτό το εγχειρίδιο, δίνοντας ιδιαίτερη προσοχή στους κανονισμούς ασφαλείας που περιγράφονται παρακάτω, πριν εγκαταστήσετε και χρησιμοποιήσετε αυτή τη συσκευή για πρώτη φορά.

## Κανονισμοί ασφαλείας


- Η συσκευή είναι για επαγγελματική χρήση.
- Χρησιμοποιείτε μόνο τη συσκευή για τον επιδιωκόμενο σκοπό για τον οποίο σχεδιάστηκε όπως περιγράφεται στο παρόν εγχειρίδιο.
- Ο κατασκευαστής δεν ευθύνεται για τυχόν ζημιές που προκαλούνται από λανθασμένη λειτουργία και ακατάλληλη χρήση.
- Κρατήστε τη συσκευή και το ηλεκτρικό βύσμα μακριά από νερό και άλλα υγρά. Σε περίπτωση που η συσκευή πέσει στο νερό, αφαιρέστε αμέσως το βύσμα τροφοδοσίας από την πρίζα. Μην χρησιμοποιείτε τη συσκευή μέχρι να ελεγχθεί από πιστοποιημένο τεχνικό. Η μη τήρηση αυτών των οδηγιών θα προκαλέσει απειλητικούς κινδύνους για τη ζωή.
- Ποτέ μην επιχειρήσετε να ανοίξετε μόνοι σας το περίβλημα της συσκευής.
- Μην εισάγετε αντικείμενα στο περίβλημα της συσκευής.
- Μην αγγίζετε το βύσμα με βρεγμένα ή υγρά χέρια.
-  **Κίνδυνος ηλεκτροπληξίας!** Μην επιχειρήσετε να επισκευάσετε τη συσκευή μόνοι σας, οι επισκευές πρέπει να πραγματοποιούνται μόνο από εξειδικευμένο προσωπικό.
- **Ποτέ μην χρησιμοποιείτε μια κατεστραμμένη συσκευή!** Όταν είναι κατεστραμμένο, αποσυνδέστε τη συσκευή από την πρίζα και επικοινωνήστε με το κατάστημα λιανικής πώλησης.
- **Προειδοποίηση!** Μην βυθίζετε τα ηλεκτρικά μέρη της συσκευής σε νερό ή άλλα υγρά.
- Ποτέ μην κρατάτε τη συσκευή κάτω από τρεχούμενο νερό.
- Ελέγχετε τακτικά το βύσμα τροφοδοσίας και το καλώδιο για τυχόν ζημιές. Σε περίπτωση βλάβης, πρέπει να αντικατασταθεί από αντιπρόσωπο εξυπηρέτησης ή με παρόμοια προσόντα, ώστε να αποφεύγεται ο κίνδυνος ή ο τραυματισμός.
- Βεβαιωθείτε ότι το καλώδιο δεν έρχεται σε επαφή με αιχμηρά ή ζεστά αντικείμενα και κρατήστε το μακριά από ανοιχτή φωτιά. Μην τραβάτε ποτέ το καλώδιο τροφοδοσίας για να το αποσυνδέσετε από την πρίζα, πάντα τραβάτε το βύσμα.
- Βεβαιωθείτε ότι το καλώδιο τροφοδοσίας ή/και το καλώδιο προέκτασης δεν προκαλούν κίνδυνο διαφυγής.
- Μην αφήνετε ποτέ τη συσκευή αφύλακτη κατά τη χρήση.
- **Προειδοποίηση!** Όσο το βύσμα βρίσκεται στην πρίζα, η συσκευή είναι συνδεδεμένη με την πηγή τροφοδοσίας.
- Απενεργοποιήστε τη συσκευή πριν την αποσυνδέσετε από την πρίζα.
- Συνδέστε το βύσμα ρεύματος σε μια εύκολα προσβάσιμη πρίζα, ώστε σε περίπτωση ανάγκης να αποσυνδεθεί αμέσως η συσκευή.
- Ποτέ μην μεταφέρετε τη συσκευή από το καλώδιο.
- Μην χρησιμοποιείτε επιπλέον συσκευές που δεν παρέχονται μαζί με τη συσκευή.

- Συνδέστε τη συσκευή μόνο σε πρίζα με την τάση και τη συχνότητα που αναφέρονται στην ετικέτα της συσκευής.
- Ποτέ μην χρησιμοποιείτε εξαρτήματα εκτός από αυτά που συνιστώνται από τον κατασκευαστή. Εάν δεν γίνει κάτι τέτοιο, θα μπορούσε να αποτελέσει κίνδυνο για την ασφάλεια του χρήστη και θα μπορούσε να προκαλέσει βλάβη στη συσκευή. Χρησιμοποιείτε μόνο αυθεντικά εξαρτήματα και αξεσουάρ.
- Η συσκευή αυτή δεν πρέπει να λειτουργεί από άτομα με μειωμένες σωματικές, αισθητηριακές ή διανοητικές ικανότητες ή άτομα με έλλειψη εμπειρίας και γνώσης.
- Αυτή η συσκευή δεν πρέπει, σε καμία περίπτωση, να χρησιμοποιείται από παιδιά.
- Κρατήστε τη συσκευή και το καλώδιο τροφοδοσίας μακριά από παιδιά.
- **ΠΡΟΕΙΔΟΠΟΙΗΣΗ:** Πάντα απενεργοποιείτε τη συσκευή και αποσυνδέστε την πρίζα πριν από τον καθαρισμό, τη συντήρηση ή την αποθήκευση.

## Ειδικό Κανονισμοί Ασφαλείας

- Χρησιμοποιείτε τη συσκευή μόνο όπως περιγράφεται στο παρόν εγχειρίδιο. Για χρήση μόνο σε εσωτερικό χώρο.
- Η συσκευή πρέπει να χρησιμοποιείται και να τοποθετείται από εξειδικευμένο, εκπαιδευμένο προσωπικό κουζινών του κλάδου της εστίασης, όπως υπηρεσίες τροφοδοσίας, εστιατόρια, μπαρ κλπ.
- Όλες οι εργασίες συντήρησης, εγκατάστασης και επισκευής πρέπει να εκτελούνται από εξειδικευμένους εξουσιοδοτημένους τεχνικούς.
- Διατηρείτε τη συσκευή μακριά από θερμές επιφάνειες και ανοικτές φλόγες. Χρησιμοποιείτε πάντα τη συσκευή σε επίπεδη, σταθερή, καθαρή, στεγνή και ανθεκτική στη θερμότητα επιφάνεια.
- Κατά τη διάρκεια λειτουργίας της συσκευής, να φοράτε προστατευτική ενδυμασία, μάσκα ή προστατευτικά γυαλιά.
- Η συσκευή δεν προορίζεται για λειτουργία μέσω εξωτερικού χρονοδιακόπτη ή ξεχωριστού συστήματος τηλεχειρισμού.
- **ΠΡΟΕΙΔΟΠΟΙΗΣΗ:** Απομακρύνετε όλα τα εμπόδια γύρω από όλα τα ανοίγματα εξαερισμού της συσκευής.
- **ΠΡΟΕΙΔΟΠΟΙΗΣΗ:** Κατά τη διάρκεια της λειτουργίας, διατηρείτε τα χέρια σας και άλλα αντικείμενα μακριά από το δοχείο για να μειώσετε τον κίνδυνο σοβαρού τραυματισμού ή/και βλάβης του μπλέντερ.
- Αφήστε τουλάχιστον 20 cm ελεύθερο χώρο γύρω από τη συσκευή για την αποφυγή οποιουδήποτε κινδύνου.
- **Προσοχή!** Στερεώστε, εάν είναι απαραίτητο, το καλώδιο τροφοδοσίας για να αποφύγετε τυχόν ακούσιο τράβηγμα ή επαφή με τις κινούμενες λεπίδες.
- Το νερό ή άλλο υγρό μέσα στο οποίο βυθίζετε ο άξονας πρέπει να έχει ύψος τουλάχιστον 5 cm.
- Μην χρησιμοποιείτε τη συσκευή συνεχόμενα για πολλή ώρα για την αποφυγή υπερθέρμανσης του κινητήρα. Ο χρόνος συνεχούς λειτουργίας δεν πρέπει να υπερβαίνει τα 3 λεπτά. Χρησιμοποιήστε ξανά την συσκευή μόνο αφού κρυώσει.




- Μην χρησιμοποιείτε τη συσκευή εκτός του δοχείου.
- Μην αγγίζετε τις λεπίδες, το προστατευτικό λεπίδων και τα κινούμενα μέρη. Διατηρείτε δάχτυλα, μαλλιά, ρούχα και σκεύη μακριά από όλα τα κινούμενα μέρη.
- Μην πλένετε τη συσκευή με νερό ή εκτοξευτήρα νερού. Το πλύσιμο με νερό μπορεί να προκαλέσει διαρροές και να αυξήσει τον κίνδυνο ηλεκτροπληξίας. Τα εξαρτήματα δεν είναι κατάλληλα για πλυντήριο πιάτων.
- Για να αποφύγετε τη φθορά του καλώδιου, μην πιέζετε, κάμπτετε ή γδέρνετε το καλώδιο σε αιχμηρά άκρα. Διατηρείτε τη συσκευή μακριά από θερμές επιφάνειες και ανοικτές φλόγες. Μην αφήνετε τις περιστρεφόμενες λεπίδες να έρχονται σε επαφή με το καλώδιο τροφοδοσίας.
- Τοποθετήστε το καλώδιο τροφοδοσίας με τέτοιο τρόπο ώστε να μην είναι δυνατό ακούσιο τράβηγμα ή απενεργοποίηση.
- Μην καθαρίζετε ή αποθηκεύετε τη συσκευή εάν δεν έχει κρυώσει πλήρως.
- **Κίνδυνος τραυματισμού!** Κατά τον καθαρισμό, πρέπει να προσέχετε όταν χειρίζεστε τις αιχμηρές λεπίδες κοπής
-  Η συσκευή αυτή ταξινομείται στην κατηγορία προστασίας II.

### Προβλεπόμενη χρήση

- Η συσκευή προορίζεται για επαγγελματική χρήση.
- Αυτή η συσκευή προορίζεται μόνο για σύνθλιψη, ανάμιξη, πολτοποίηση και παρασκευή πουρέ με το κατάλληλα μαλακό τρόφιμο στο δοχείο. Οποιαδήποτε άλλη χρήση μπορεί να προκαλέσει ζημιά στη συσκευή ή τραυματισμό.
- Η χρήση της συσκευής για οποιονδήποτε άλλο σκοπό θεωρείται εσφαλμένη. Ο χρήστης είναι αποκλειστικά υπεύθυνος για την μη.

GR

### Βασικά εξαρτήματα της συσκευής

1. Διακόπτης ON/OFF : Πιέστε παρατεταμένα για συνεχή λειτουργία. Αφήστε το κουμπί για διακοπή της λειτουργίας
2. Αύξηση ταχύτητας + :
3. Μείωση ταχύτητας - :
4. Οθόνη LCD: Εμφάνιση της ρύθμισης ταχύτητας
5. Λαβή
6. Οπές εξαερισμού
7. Αποσπώμενος άξονας ανάμιξης
8. Λεπίδα
9. Προστατευτικό λεπίδων
10. Κύρια μονάδα με κινητήρα



---

### Προετοιμασία πριν από τη λειτουργία

- Αφαιρέστε κάθε προστατευτική συσκευασία.
- Ελέγξτε εάν η συσκευή είναι πλήρης και για τυχόν ζημιές κατά τη μεταφορά. Σε περίπτωση μη ολοκληρωμένης παράδοσης ή ζημιών, επικοινωνήστε με τον προμηθευτή. ΜΗΝ χρησιμοποιήσετε τη συσκευή. (Βλ. ==> Εγγύηση).
- Καθαρίστε τη συσκευή πριν από τη χρήση (Βλ. ==> Καθαρισμός και συντήρηση).
- Βεβαιωθείτε ότι η συσκευή είναι τελειώς στεγνή.
- Προετοιμασία των υλικών για επεξεργασία.

---

### Πριν τη λειτουργία

- Διαβάστε προσεκτικά το παρόν εγχειρίδιο πριν λειτουργήσετε τη συσκευή.
- Τοποθετήστε τη συσκευή σε στεγνό χώρο, χωρίς εμπόδια για τη χρήση της.
- Βεβαιωθείτε ότι η τροφοδοσία ρεύματος αντιστοιχεί με την ετικέτα βαθμονόμησης της συσκευής.
- Βεβαιωθείτε ότι ο άξονας ανάμειξης (7) είναι σταθερά τοποθετημένος στην κύρια μονάδα με κινητήρα (10).

---

### Μεταφορά

- Μην μετακινείτε τη συσκευή ενώ λειτουργεί. Αποσυνδέετε τη συσκευή από τη πρίζα πριν την μεταφέρετε.
- Κρατάτε τη συσκευή από τη λαβή όταν την μετακινείτε.

---

### Λειτουργία

#### Τηρείτε πάντα τις ακόλουθες συμβουλές ασφαλείας!

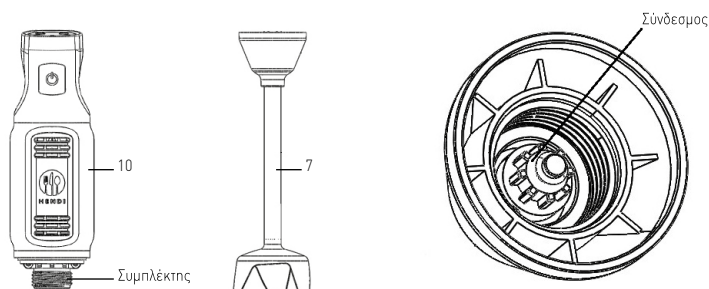
- Πριν αφαιρέσετε τον άξονα ανάμειξης (7), βεβαιωθείτε ότι η συσκευή είναι αποσυνδεδεμένη από την τροφοδοσία ρεύματος.
- Μην βάζετε ποτέ τα χέρια σας μέσα στο δοχείο τροφίμων (δεν παρέχεται). Χρησιμοποιείτε πάντα ξύλινες ή πλαστικές σπάτουλες και μόνο όταν η συσκευή δεν λειτουργεί.
- Μην χρησιμοποιείτε τη συσκευή χωρίς να έχετε τοποθετήσει τρόφιμα μέσα στο δοχείο ή με σκληρά τρόφιμα, ζεστά υγρά, κλπ για την αποφυγή υπερθέρμανσης.
- **ΠΡΟΕΙΔΟΠΟΙΗΣΗ!** Αποσυνδέετε τη συσκευή αμέσως μετά τη χρήση.



## Συναρμολόγηση/Αποσυναρμολόγηση εξαρτημάτων

Πριν από εργασίες συναρμολόγησης/αποσυναρμολόγησης, η συσκευή πρέπει να απενεργοποιείται και να αποσυνδέεται από την παροχή ρεύματος.

### Κύρια μονάδα (10) και Άξονας ανάμειξης (7):



Αποσυναρμολόγηση:

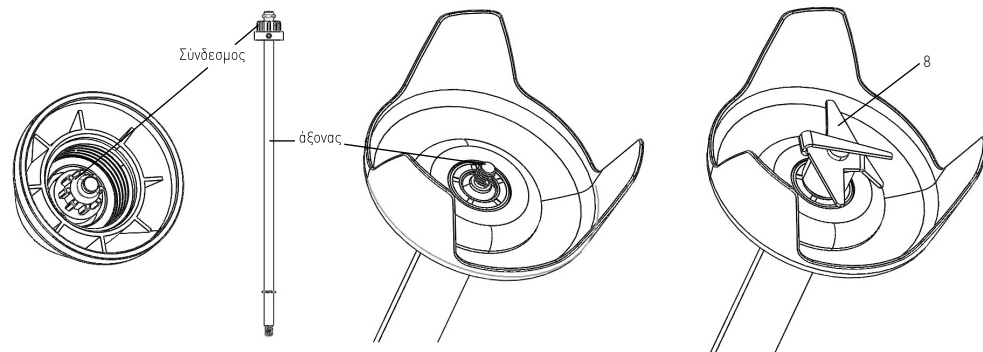
1. Κρατήστε την κύρια μονάδα (10) και βιδώστε τον άξονα ανάμειξης (7) δεξιόστροφα έως ότου αποκολληθεί πλήρως.

Συναρμολόγηση:

1. Ευθυγραμμίστε τον άξονα ανάμειξης (7) με τον συμπλέκτη της κύριας μονάδας (10).
2. Βιδώστε τον Άξονα ανάμειξης (7) αριστερόστροφα μέχρι να σφίξει πλήρως.

### Άξονας ανάμειξης (7) και λεπίδα (8):

**ΠΡΟΣΟΧΗ!** Παρακαλούμε φορέστε προστατευτικά γάντια κατά την αποσυναρμολόγηση (δεν περιλαμβάνονται)



Αποσυναρμολόγηση:

1. Κρατήστε το σώμα του άξονα ανάμειξης (7) και ξεβιδώστε τη λεπίδα (8) αριστερόστροφα μέχρι να αφαιρεθεί πλήρως.
2. Κρατήστε το τμήμα ανάμειξης (7) και τραβήξτε έξω τον άξονα.

Συναρμολόγηση:

1. Τοποθετήστε τον άξονα στο τμήμα ανάμειξης (7) μέχρι να εισαχθεί πλήρως.
2. Κρατήστε το τμήμα ανάμειξης (7) και βιδώστε τη λεπίδα δεξιόστροφα μέχρι να σφίξει πλήρως.



Κατάλληλο για:	<ul style="list-style-type: none"> <li>• Δημιουργία χυμών και ροφημάτων</li> <li>• Ανάμειξη μαλακών συστατικών (π.χ. μίγμα για τηγανίτες ή μαγιονέζα).</li> <li>• Ανάμειξη λαχανικών για δημιουργία σούπας (π.χ. καρότα κλπ)</li> </ul>
Προετοιμασία:	<ul style="list-style-type: none"> <li>• Ξεφλουδίστε το υλικό και κόψτε το σε μικρά κομμάτια.</li> <li>• Τοποθετήστε το υλικό σε κατάλληλο δοχείο χωρητικότητας 1 ~ 4 λίτρων.</li> </ul>
Μέγιστος χρόνος συνεχούς λειτουργίας	3 λεπτά για την αποφυγή υπερθέρμανσης του κινητήρα. Χρησιμοποιήστε τη συσκευή αφού κρυώσει.

- Μόλις συνδέσετε τη συσκευή στην πρίζα, στην οθόνη LCD (4) εμφανίζεται η ένδειξη «3».
- Χαμηλώστε τον άξονα ανάμειξης (7) στο δοχείο τροφίμων (δεν παρέχεται). Τοποθετήστε πλήρως μέσα στο υλικό τη λεπίδα (8) πριν ξεκινήσετε τη λειτουργία της συσκευής.  
ΠΡΟΣΟΧΗ: Μην ανυψώνετε τον άξονα ανάμειξης (7) πάνω από την ένδειξη **Max**.
- Κρατήστε σταθερά με το ένα χέρι την κύρια μονάδα (10) και με το άλλο το δοχείο.
- Πιέστε πατημένα το κουμπι ON/OFF (1) και η συσκευή θα αρχίσει να λειτουργεί.
- Με μια αργή κίνηση πάνω-κάτω, αναμείξτε τα συστατικά σας.
- Για να αποφύγετε την εκτίναξη φαγητού, μην αφαιρείτε τη συσκευή από τα υλικά κατά τη διάρκεια της λειτουργίας.
- Επιλέξτε την ταχύτητα των λεπίδων πιέζοντας το πλήκτρο + (2) ή - (3) (εύρος ταχύτητας: 1 έως 6) ενώ λειτουργεί η συσκευή. Η ταχύτητα των λεπίδων θα εμφανιστεί στην οθόνη LCD (4).

Σημείωση: Όταν επιλέγετε την ταχύτητα των λεπίδων, δεν χρειάζεται να πιέξετε ταυτόχρονα το κουμπι ON/OFF (1).

- Όταν ολοκληρώσετε τη λειτουργία, αφήστε το κουμπι ON/OFF (1) για να απενεργοποιήσετε τη συσκευή.
- Περιμένετε έως ότου η λεπίδα (8) σταματήσει να κινείται. Στη συνέχεια, αποσυνδέστε τη συσκευή από την πρίζα.
- Περιστρέψτε δεξιόστροφα την κύρια μονάδα (10) για να αποσυαρμολογήσετε και να καθαρίσετε τον άξονα ανάμειξης (7).

Σημείωση:

1. Πιέστε παρταταμένα το πλήκτρο μείωσης και αύξησης + (2) ή - (3) για γρήγορη ρύθμιση.
2. Η προεπιλεγμένη ταχύτητα των λεπίδων είναι «3».

GR

## Καθαρισμός και Συντήρηση

**Προσοχή:** Να αποσυνδέετε πάντα τη συσκευή από την πρίζα και να την αφήνετε να κρυώνει τελείως πριν καθαρίσετε και αποσυαρμολογήσετε τον άξονα ανάμειξης (7).

### Καθαρισμός

- Αφαιρέστε τυχόν υπολείμματα από τη λεπίδα.
- Βυθίστε τον βραχίονα ανάμειξης και τη διάταξη λεπίδων μέσα σε ένα δοχείο με καθαρό νερό και ενεργοποιήστε τη συσκευή για λίγα δευτερόλεπτα. Μην ανυψώνετε τον άξονα πάνω από την ένδειξη **Max**.

- Μην βυθίζετε ποτέ τη μονάδα μοτέρ ή τη λαβή στο νερό. Καθαρίστε τις με ένα υγρό πανί ή σφουγγάρι.
- ΠΡΟΕΙΔΟΠΟΙΗΣΗ:** Στεγνώνετε πάντα τις λεπίδες καλά μετά τον καθαρισμό για να αποφύγετε τη δημιουργία σκουριάς.



Συνιστώμενη διαδικασία καθαρισμού:

Εξαρτήματα	Τρόπος καθαρισμού	Συχνότητα
Κύρια μονάδα με κινητήρα (10)	<ul style="list-style-type: none"> <li>Μην βυθίζετε ποτέ αυτό το εξάρτημα σε νερό ή άλλα υγρά.</li> <li>Χρησιμοποιήστε ένα νωπό πανί με λίγο απορρυπαντικό και νερό. Ξεβγάλτε, καθαρίστε και στεγνώστε καλά.</li> </ul>	Καθαρίζετε μετά από κάθε χρήση
Άξονας ανάμειξης (7)	<ul style="list-style-type: none"> <li>Καθαρίστε με ζεστό νερό και λίγο ήπιο απορρυπαντικό. Μην ανυψώνετε τον αποσπώμενο άξονα ανάμειξης (7) πάνω από την ένδειξη Max.</li> <li>Στεγνώστε όλα τα μέρη πριν χρησιμοποιήσετε ξανά τον άξονα.</li> </ul>	
Λεπίδα (8)	<ul style="list-style-type: none"> <li>Προειδοποίηση! Κίνδυνος τραυματισμού! Προσέχετε ιδιαίτερα κατά τον καθαρισμό των λεπίδων.</li> <li>Καθαρίστε με ζεστό νερό και λίγο ήπιο απορρυπαντικό.</li> <li>Στεγνώστε καλά μετά τον καθαρισμό.</li> </ul>	

### Αποθήκευση

- Πριν αποθηκεύσετε την συσκευή, βεβαιωθείτε ότι έχει αποσυνδεθεί από την πρίζα και έχει κρυώσει πλήρως.
- Φυλάξτε τη συσκευή σε δροσερό, καθαρό και ξηρό μέρος και μακριά από τα παιδιά.

### Αντιμετώπιση προβλημάτων

Αν η συσκευή δεν λειτουργεί σωστά, συμβουλευτείτε τον παρακάτω πίνακα για πιθανές λύσεις. Αν συνε-

χίσετε να μην μπορείτε να επιλύσετε το πρόβλημα, επικοινωνήστε με τον προμηθευτή/πάροχο σέρβις.

GR

Προβλήματα	Πιθανές αιτίες	Πιθανή λύση
Η συσκευή δεν ενεργοποιείται	Το φως δεν είναι σωστά συνδεδεμένο σε κατάλληλη πρίζα	Βεβαιωθείτε ότι το φως είναι σωστά συνδεδεμένο σε κατάλληλη πρίζα.
	Δεν έχει πατηθεί το κουμπί ON/OFF (1).	Πιέξτε παρατεταμένα το κουμπί ON/OFF (1) για να ενεργοποιήσετε τη συσκευή.
Αφύσικοι θόρυβοι κατά την επεξεργασία	Ο άξονας ανάμειξης (7) δεν είναι συνδεδεμένος σωστά.	Αποσυναρμολογήστε και συναρμολογήστε ξανά τον άξονα ανάμειξης (7).
Η συσκευή δεν λειτουργεί	Έχει ενεργοποιηθεί η εσωτερική διάταξη υπερθέρμανσης.	Αφήστε τη συσκευή να κρυώσει πριν την χρησιμοποιήσετε ξανά.
Η συσκευή έχει υπερθερμανθεί	Έχει χρησιμοποιηθεί πέραν της επιτρεπόμενης διάρκειας	Απελευθερώστε το κουμπί ON/OFF, αποσυνδέστε τη συσκευή και περιμένετε 10 λεπτά για να κρυώσει ο κινητήρας.

### Τεχνικές προδιαγραφές

Αρ. προϊόντος : 222157

Τάση και συχνότητα λειτουργίας: 230V~ / 50Hz

Ονομαστική ισχύς εισόδου: 250W

Κατηγορία προστασίας: Κατηγορία II



Κλάση προστασίας νερού: IP23

Διαστάσεις: περίπου 71 x 71 x (Y) 444 mm

Καθαρό βάρος: περίπου 1,6kg

Ταχύτητα περιστροφής (rpm): περίπου 6,600 έως 13,500

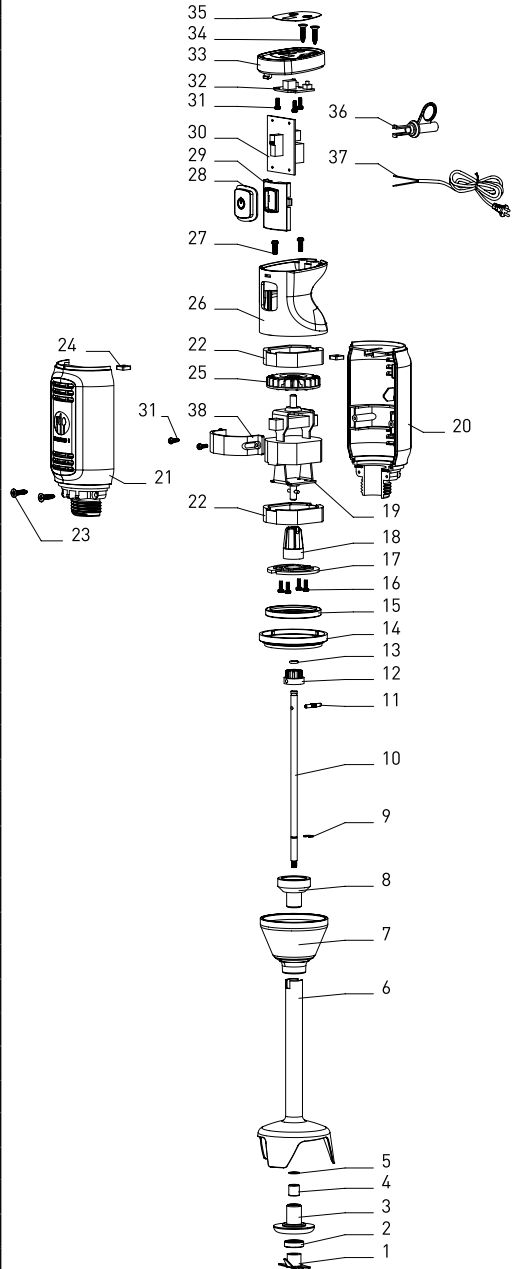
Επίπεδο θορύβου: < 85dB(A)

**Σημείωση: Οι τεχνικές προδιαγραφές μπορούν να τροποποιηθούν χωρίς προηγούμενη ειδοποίηση.**

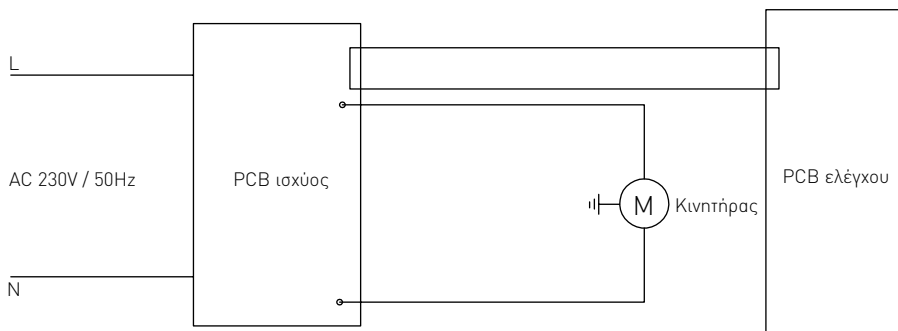


## Κατάλογος εξαρτημάτων προϊόντος 222157

Αρ. εξαρτήματος	Όνομα εξαρτήματος	Ποσότητα
1	Διάταξη λάμας τιτανίου	1
2	Δακτύλιος στεγανοποίησης άξονα λεπίδα	1
3	Τοποθέτηση ρουλεμάν	1
4	Ρουλεμάν	1
5	Ατσάλινος δακτύλιος	1
6	Άξονας	1
7	Κεφαλή άξονα	1
8	Κάλυμμα στήριξης άξονα	1
9	Δακτύλιος σε σχήμα E	1
10	Άξονας λεπίδα	1
11	Πείρος άξονα	1
12	Άξονας σφήνας	1
13	Αντικραδασμικός δακτύλιος μόνωσης	1
14	Δακτύλιος με επίστρωση	1
15	Αντικραδασμικός δακτύλιος μοτέρ	1
16	Βίδα μοτέρ	4
17	Πλάκα στερέωσης μοτέρ	1
18	Μανίκι σφήνας	1
19	Μοτέρ	1
20	Δεξί περιβλήμα	1
21	Αριστερό περιβλήμα	1
22	Κάλυμμα απορρόφησης κινητήρα	2
23	Βίδες στήριξης κινητήρα	2
24	Δεξιό και αριστερό παξιμάδι στερέωσης περιβλήματος	2
25	Ανεμιστήρας κινητήρα	1
26	Άνω περιβλήμα	1
27	Βίδες στερέωσης περιβλήματος	2
28	Ελαστικό πλήκτρο ενεργ/ απενεργ	1
29	Πλαίσιο στερέωσης κουμπιού	1
30	Πίνακας τροφοδοσίας	1
31	Βίδες στήριξης	5
32	Πίνακας ελέγχου	1
33	Άνω κάλυμμα	1
34	Βίδα άνω περιβλήματος	2
35	Αυτοκόλλητο ελέγχου	1
36	Απορρόφηση τήσης	1
37	Καλώδιο τροφοδοσίας με φικ	1
38	Πλαίσιο στερέωσης μοτέρ	1



## Διάγραμμα κυκλώματος



## Εγγύηση

Οποιοδήποτε ελάττωμα επηρεάζει τη λειτουργικότητα της συσκευής που γίνεται προφανές δύο χρόνια μετά την αγορά της, θα διορθώνεται με δωρεάν επισκευή ή αντικατάσταση, αρκεί η συσκευή να έχει χρησιμοποιηθεί και συντηρηθεί σύμφωνα με τις οδηγίες και να μην έχει γίνει κατάχρηση ή λανθασμένη χρήση της με οποιονδήποτε τρόπο. Δε θίγονται τα νόμιμα δικαιώματά σας. Εάν η συσκευή υποστηρίζεται

από εγγύηση, δηλώστε πού και πότε έχει αγοραστεί και συμπεριλάβετε την απόδειξη αγοράς (π.χ. απόδειξη λιανικής πώλησης).

Σύμφωνα με την πολιτική μας για τη συνεχή εξέλιξη των προϊόντων μας, διατηρούμε το δικαίωμα να αλλάξουμε το προϊόν, τη συσκευασία και τις προδιαγραφές τεκμηριωσής του χωρίς προειδοποίηση.

GR

## Απόρριψη & Περιβάλλον

Η συσκευή, μετά το πέρας της διάρκειας ζωής της, δεν πρέπει να απορρίπτεται ως οικιακό απόρριμμα. Πρέπει να απορρίπτεται, με δική σας ευθύνη, σε καθορισμένο σημείο συλλογής. Η μη τήρηση αυτού ενδέχεται να τιμωρείται σύμφωνα με τους ισχύοντες κανονισμούς για τη διάθεση των απορριμμάτων. Η χωριστή συλλογή και ανακύκλωση αυτής της συσκευής κατά τη στιγμή της απόρριψης βοηθά στη διατήρηση των φυσικών πόρων και εξασφαλίζει την ανακύκλωσή της με τρόπο που προστατεύει την ανθρώπινη υγεία και το περιβάλλον.

ΣΕΡΒΙΣ ΕΛΛΑΔΟΣ:

Τηλ.: 213 0 998989 (10 γραμμές)

info@pks-hendi.com

Για περισσότερες πληροφορίες σχετικά με το πού μπορείτε να απορρίψετε τη συσκευή για ανακύκλωση, επικοινωνήστε με την τοπική εταιρεία συλλογής απορριμμάτων. Οι κατασκευαστές και οι εισαγωγείς δεν αναλαμβάνουν την ευθύνη ανακύκλωσης, επεξεργασίας και οικολογικής διάθεσης, είτε άμεσα είτε μέσω δημόσιου συστήματος.



Vážený zákazníku,

Děkujeme, že jste si koupili tento spotřebič Hendi. Přečtěte si pozorně tuto příručku a věnujte zvláštní pozornost níže uvedeným bezpečnostním předpisům před instalací a používáním tohoto spotřebiče poprvé.

## Bezpečnostní předpisy

- This appliance is intended for commercial use.
- Spotřebič používejte pouze k zamýšlenému účelu, pro který byl navržen, jak je popsáno v této příručce.
- Výrobce nenese odpovědnost za škody způsobené nesprávným provozem a nesprávným používáním.
- Udržujte spotřebič a elektrickou zástrčku mimo vodu a jiné kapaliny. V případě, že spotřebič spadne do vody, okamžitě vyjměte zástrčku ze zásuvky. Nepoužívejte spotřebič, dokud nebyl zkontrolován certifikovaným technikem. Nedodržení těchto pokynů způsobí život ohrožující rizika.
- Nikdy se nepokoušejte otevřít kryt spotřebiče sami.
- Nevkládejte předměty do pouzdra spotřebiče.
- Nedotýkejte se zástrčky mokrymi nebo vlhkými rukama.
- ⚡ **Nebezpečí elektrickým proudem!** Nepokoušejte se opravit spotřebič sami, opravy provádějí pouze kvalifikovaní pracovníci.
- **Nikdy nepoužívejte poškozený spotřebič!** Když je poškozen, odpojte spotřebič od zásuvky a obraťte se na prodejce.
- **Varování!** Neponořte elektrické části spotřebiče do vody nebo jiných kapalin.
- Nikdy nedržte spotřebič pod tekoucí vodou.
- Pravidelně kontrolujte napájecí zástrčku a kabel pro případné poškození. Pokud je poškozen, musí být nahrazen servisním zástupcem nebo podobně kvalifikovanou osobou, aby se zabránilo nebezpečí nebo zranění.
- Ujistěte se, že kabel nepřichází do kontaktu s ostrými nebo horkými předměty a udržujte jej mimo otevřený oheň. Nikdy nevytahujte napájecí kabel, abyste jej odpojili od zásuvky, vždy vytáhněte zástrčku.
- Ujistěte se, že napájecí kabel nebo prodlužovací kabel nezpůsobují nebezpečí výletu.
- Spotřebič během používání nenechávejte bez dozoru.
- **Varování!** Dokud je zástrčka v zásuvce, je spotřebič připojen ke zdroji napájení.
- Vypněte spotřebič před odpojením ze zásuvky.
- Napájecí zástrčku připojte ke snadno přístupné elektrické zásuvce, takže v případě nouze lze spotřebič okamžitě odpojit.
- Nikdy nenoste spotřebič za šňůru.
- Nepoužívejte žádná další zařízení, která nejsou dodávána společně se spotřebičem.
- Připojte spotřebič pouze k elektrické zásuvce s napětím a frekvencí uvedenými na štítku spotřebiče.
- Nikdy nepoužívejte jiné příslušenství než příslušenství doporučené výrobcem. Pokud tak neučiníte, mohlo by představovat bezpečnostní riziko pro uživatele a mohlo by dojít k poškození spotřebiče. Používejte pouze originální díly a příslušenství.

CZ



- Tento spotřebič by neměl být provozován osobami se sníženými fyzickými, smyslovými nebo duševními schopnostmi ani osobami, které nemají zkušenosti a znalosti.
- Tento spotřebič by za žádných okolností neměly používat děti.
- Spotřebič a napájecí kabel uchovávejte mimo dosah dětí.
- **VAROVÁNÍ:** VŽDY vypněte spotřebič a odpojte od elektrické zásuvky před čištěním, údržbou nebo skladováním.

## Zvláštní bezpečnostní předpisy


- Zařízení používejte pouze podle pokynů. Len použitie v interiéri.
- Tento spotřebič by měl obsluhovat a instalovat vyškolený personál v kuchyni potravinářského průmyslu, jako je catering, restaurace nebo bar, atd.
- Veškeré montážní práce a údržba musí být provedeny kvalifikovaným a oprávněným technikem.
- Spotřebič udržujte v dostatečné vzdálenosti od horkých ploch a otevřeného ohně. Se spotřebičem vždy pracujte na rovném, stabilním, čistém, horku odolném a suchém povrchu.
- Pokud je to nutné, použijte během obsluhy zařízení ochranný oděv, masku nebo ochranné brýle.
- Tento spotřebič není určen k provozu pomocí externího časového spínače nebo samostatného dálkového ovládání.
- **VAROVÁNÍ:** Udržujte všechny ventilační otvory ve spotřebiči bez překážek.
- **VAROVÁNÍ:** Při zapnutém zařízení nekládejte do nádoby ruce ani kuchyňské náčiní. Omezíte tak riziko vážného zranění a/nebo poškození mixéru.
- Ponechte kolem zařízení alespoň 20 cm, abyste zabránili nebezpečí.
- **Pozor!** Bezpečně vedte napájecí kabel, pokud je to nutné, abyste zabránili neúmyslnému tažení nebo kontaktu s pohyblivou čepelí.
- Neponořujte míchací rameno do nádoby s vodou nebo jinou tekutinou, pokud její hladina nepřesahuje 5 cm.
- Nepoužívejte zařízení delší dobu, aby nedošlo k přehřátí motoru. Zařízení by nemělo pracovat nepřetržitě déle než 3 minuty. Po vychladnutí lze zařízení opět použít.
- Nepoužívejte zařízení, pokud není rameno umístěné v nádobě.
- Nedotýkejte se čepel, kryt ostří a pohyblivé části. Udržujte prsty, vlasy, oblečení a věci mimo všechny pohyblivé části.
- Neumývejte spotřebič vodou ani proudem vody. Mytí vodou může způsobit únik a zvýšit riziko úrazu elektrickým proudem. Žádné části nejsou vhodné do myčky.
- Abyste předešli poškození napájecího kabelu, nestlačujte jej, neohýbejte ani nezavěšujte přes ostré hrany. Udržujte napájecí kabel mimo dosah horkých povrchů a otevřeného ohně. Rotující nože zařízení udržujte v dostatečné vzdálenosti od napájecího kabelu.
- Vedte napájecí kabel tak, aby nedošlo k jeho náhodnému vytažení nebo zakopnutí.
- Nečistěte ani neukládejte spotřebič, pokud není úplně vychladlý.
- **Nebezpečí úrazu!** Dbejte zvýšené opatrnosti během demontáže ostrých nožů a při čištění.

-  Tento spotřebič je klasifikován jako třída ochrany II.

### Zamýšlené použití

- Tento spotřebič je určen pro odborné použití.
- Toto zařízení je určeno pouze k drčení, míchání, mletí a mixování potravin s přiměřenou měkkostí. Jakékoli jiné použití může vést k poškození přístroje nebo zranění osob.
- Použití přístroje pro jiné účely se považuje za zneužití. Uživatel nese výhradní odpovědnost za správnost používání přístroje.

### Hlavní části zařízení

1. Vypínač ON / OFF  : Stiskněte a podržte tlačítko, aby zařízení pracovalo nepřetržitě. Uvolněním tlačítka zařízení zastavíte.
2. Zvyšte nastavení rychlosti + :
3. Snižte nastavení rychlosti - :
4. LCD displej: Zobrazení nastavení rychlosti
5. Rukojeť
6. Ventilační otvory
7. Odnímatelné směšovací rameno
8. Čepel
9. Kryt čepele
10. Hlavní jednotka s motorem



CZ

### Přípravy před použitím

- Odstraňte veškerý ochranný obal a fólie.
- Zkontrolujte, zda je spotřebič celý a nebyl poškozen při přepravě. V případě neúplné dodávky nebo poškození, okamžitě kontaktujte dodavatele. NE-POUŽÍVEJTE spotřebič. (Viz == > Záruka).
- Před použitím spotřebič vyčistěte (Viz ==> Čištění a údržba).
- Ujistěte se, že je spotřebič zcela suchý.
- Příprava ingrediencí.

### Před operací

- Před použitím zařízení si prosím pečlivě přečtěte příručku.
- Ujistěte se, že bylo zařízení umístěné na suchém místě a žádné předměty nebrání bezproblémové práci.
- Ujistěte se, že specifikace zařízení na typovém štítku odpovídá elektrické zásuvce, ke které má být zařízení připojeno.
- Ujistěte se, že je rameno (7) správně upevněné na korpusu s motorem (10).



## Přeprava

- Nepřenášejte zařízení během práce. Před přemís-  
těním zařízení na jiné místo vždy odpojte přístroj  
od elektrické zásuvky.
- Během přenášení držte zařízení za rukojeť.

## Úkon

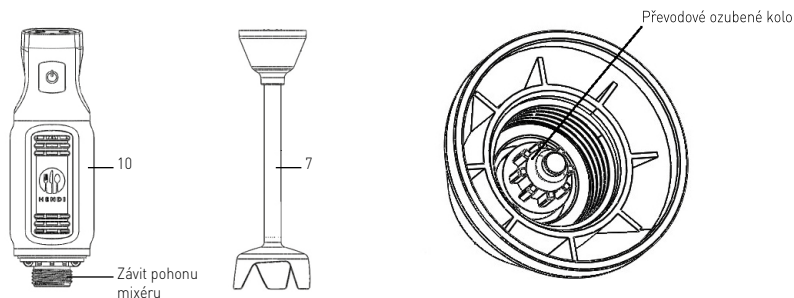
### Vždy dodržujte níže uvedené bezpečnostní pokyny!

- Always ensure the appliance is disconnected  
from the power supply before it is assembled with  
the blending part (7).
- Nikdy nevkládejte ruce do nádoby na potraviny  
(není součástí dodávky). K míchání vždy použij-  
te stěrku (dřevěnou nebo plastovou). Stěrky po-  
užívejte výhradně tehdy, když zařízení nepracuje.
- Nepoužívejte zařízení, když je nádoba prázdná  
nebo k míchání tvrdých potravin, horkých teku-  
tin, tvrdého těsta atd., aby se zabránilo přehřátí  
mixéru.
- **VAROVÁNÍ!** Neprodleně odpojte přístroj po pou-  
žití.

## Montáž / demontáž přídatných zařízení

Montážní / demontážní operace každého zařízení stroje se provádějí pomocí zastavení stroje a s odpojenou zástrčkou ze zásuvky.

### Hlavní jednotka (10) a směšovací část (7):



#### Demontáž:

1. Přidržete pohon mixéru (10) a odšroubujte mícha-  
cí rameno (7) ve směru hodinových ručiček až do  
úplného odpojení.

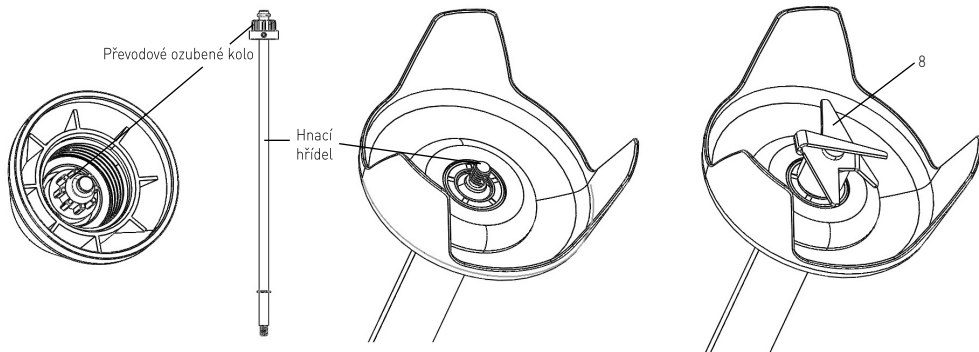
#### Montáž:

1. Srovnejte ozubené kolo míchacího ramene (7)  
se závitem umístěným na konci pohonu mixéru  
(10).
2. Našroubujte míchací rameno (7) proti směru ho-  
dinových ručiček až do úplného utažení.

### Směšovací část (7) a čepel (8):

**POZOR!** Při demontáži noste ochranné rukavice (není součástí dodávky).





#### Demontáž:

1. Přidržte konec míchacího ramene (7) a odšroubujte ostří (8) proti směru hodinových ručiček až do úplného odpojení.
2. Přidržte míchací rameno (7) a vytáhněte hnací hřídel.

#### Montáž:

1. Vložte hnací hřídel až do konce míchacího ramene (7).
2. Přidržte ozubené kolo míchacího ramene (7) a našroubujte ostří ve směru hodinových ručiček až do úplného utažení.

Vhodné pro:	<ul style="list-style-type: none"> <li>• Blendování džusů nebo koktejlů</li> <li>• Míchání měkkých potravin (např. těsto na palačinky nebo majonéza).</li> <li>• Mixování zeleniny k přípravě polévek (např. mrkvových polévek atd.)</li> </ul>
Příprava:	<ul style="list-style-type: none"> <li>• Oloupejte nebo odkrojte přebytečné části potravin; ovoce/zeleninu nakrájejte na malé kousky.</li> <li>• Vložte potraviny do vhodné nádoby o objemu od 1 do 4 litrů.</li> </ul>
Maximální nepřetržitá doba práce by neměla překročit 3 minuty.	Delší práce zařízení může mít za následek přehřátí motoru. Po vychladnutí zařízení můžete přístroj opět zapnout.

CZ

- Po zapnutí zařízení do elektrické zásuvky se na displeji LCD (4) zobrazí hodnota „3“.
- Vložte míchací rameno (7) do nádoby na potraviny (není součástí dodávky). Před spuštěním přístroje ponořte celé ostří (8) do ingrediencí vložených do nádoby.  
POZOR: Nikdy neponořujte míchací rameno (7) nad značku maximální úrovně.
- Jednou rukou pevně držte korpus přístroje (10), druhou rukou přidržte nádobu.
- Stiskněte a podržte tlačítko ON/OFF (1) – zařízení bude pracovat nepřetržitě.
- Opatrně pohybuje přístrojem nahoru a dolů, aby se ingredience rovnoměrně promíchaly.
- Abyste zabránili rozstříkávání směsi, nevyjímejte rameno mixéru, když zařízení ještě pracuje.

- Vyberte rychlost rotace ostří pomocí tlačítek „+“ (2) nebo „-“ (3) během práce zařízení (rozsah rychlosti: od 1 do 6). Na displeji LCD (4) se zobrazí vybraná rychlost otáček.

Pozor: Při nastavování rychlosti otáček není nutné zároveň držet tlačítko ON/OFF (1).

- Po skončení práci pusťte tlačítko ON/OFF (1), a zařízení se vypne.
- Počkejte, až se ostří (8) zastaví. Následně odpojte zařízení od zdroje napájení vytažením zástrčky ze zásuvky.
- Před umytím přetočte korpus (10) ve směru hodinových ručiček a odpojte míchací rameno (7).

Pozor:

1. Pro rychlé nastavení hodnoty stiskněte a podržte tlačítko pro zvýšení „+“ (2) nebo snížení „-“ (3).
2. Výchozí rychlost otáček ostří je nastavena na „3“.



## Čištění a údržba

**Pozor:** Před čištěním a demontáží směšovací části [7] vždy odpojte spotřebič od elektrické zásuvky a nechte jej úplně vychladnout.

### Čištění

- Odstraňte všechny nepotřebné předměty, které se nachází v blízkosti ostří.
  - Vložte míchací rameno do vhodné nádoby naplněné čistou vodou a zapněte přístroj na několik sekund. Neponořujte míchací rameno do vody nebo jiné kapaliny nad označenou maximální úroveň.
  - Nikdy neponořujte motor ani rukojeť do vody. Tyto části čistěte vlhkým hadříkem nebo houbičkou.
- VAROVÁNÍ:** Po umytí vždy pečlivě osušte ostří, chraňte ho před korozí.

Doporučený způsob čištění zařízení:

Části	Jak čistit	Frekvence
Hlavní jednotka s motorem (10)	<ul style="list-style-type: none"><li>• Nikdy neponořujte tuto část do vody nebo jiných tekutin.</li><li>• K důkladnému umytí, dezinfekci a osušení těla přístroje použijte vlhký hadřík a čisticím prostředkem.</li></ul>	Umyjte po každém použití.
Směšovací část (7)	<ul style="list-style-type: none"><li>• Umyjte teplou vodou s jemným čisticím prostředkem. Nikdy neponořujte odnímatelné míchací rameno (7) nad označenou maximální úroveň.</li><li>• Před opětovným použitím důkladně osušte všechny části přístroje.</li></ul>	
Čepel (8)	<ul style="list-style-type: none"><li>• Varování! Nebezpečí úrazu! Při čištění nožů buďte obzvláště opatrní.</li><li>• Umyjte teplou vodou a jemným čisticím prostředkem.</li><li>• Po vyčištění přístroj pečlivě osušte.</li></ul>	

CZ

### Skladování

- Před uskladněním se vždy ujistěte, že je zařízení odpojeno od síťové zásuvky a že zcela vychladlo.
- Uchovávejte zařízení na chladném, čistém a suchém místě.

### Řešení problémů

Pokud přístroj nefunguje správně, vyhledejte možné řešení v následující tabulce. Pokud tímto způsobem nelze problém vyřešit, kontaktujte dodavatele / poskytovatele služeb.

Porucha	Možná příčina	Možné řešení
Zařízení se nezapne	Napájecí zástrčka není správně připojen do elektrické zásuvky.	Zkontrolujte, zda je elektrická kabelová zástrčka správně připojena k elektrické zásuvce.
	Tlačítko ON/OFF (1) není zmáčknuté.	Stisknutím a podržením tlačítka ON / OFF (1) zapněte spotřebič.
Zařízení vydává při míchání potravin neobvyklé zvuky.	Míchací rameno (7) bylo špatně založené.	Odpojte a znovu připojte směšovací rameno (7).
Zařízení nefunguje	Aktivovala se pojistka proti přehřátí.	Před opětovným zapnutím počkejte, až zařízení vychladne.
Zařízení se přehřálo	Zařízení pracuje příliš dlouho.	Uvolněte tlačítko ON/OFF a odpojte zařízení od zdroje napájení; Počkejte 10 minut, než motor vychladne.




---

### Technická specifikace

Číslo položky: 222157

Provozní napětí a frekvence: 230V~ / 50Hz

Jmenovitý příkon: 250W

Třída ochrany: Třída II 

Třída ochrany proti vodě: IP23

Rozměry: cca. 71 x 71 x (H) 444 mm

Čistá hmotnost: cca. 1,6kg

Rychlost otáčení (rpm): cca. 6,600 to 13,500

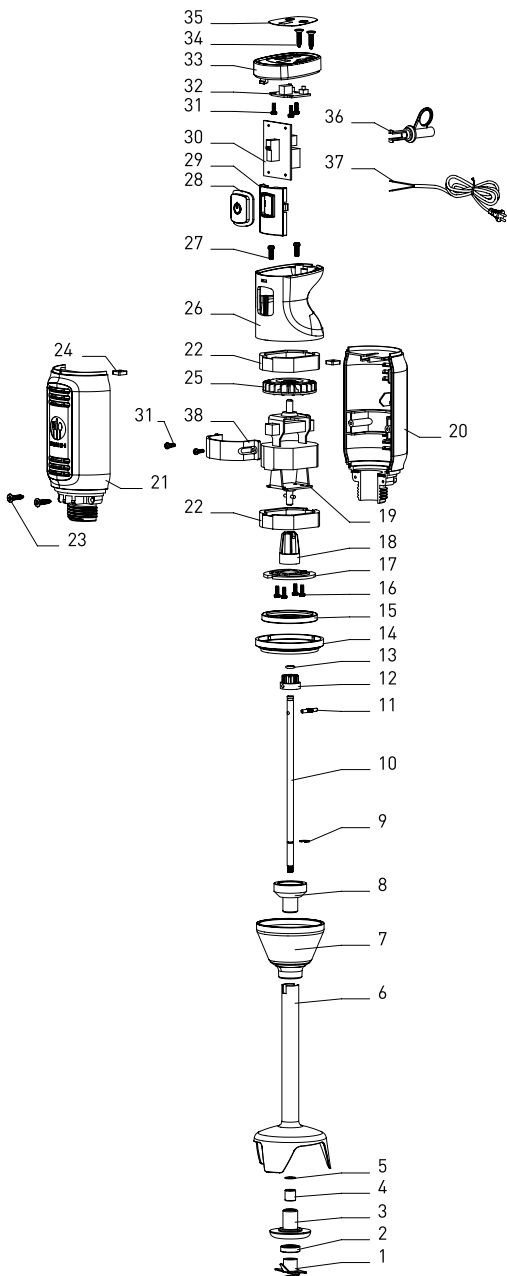
Úroveň hluku: < 85dB(A)

**Poznámka: Technická specifikace může být upravena bez předchozího upozornění.**

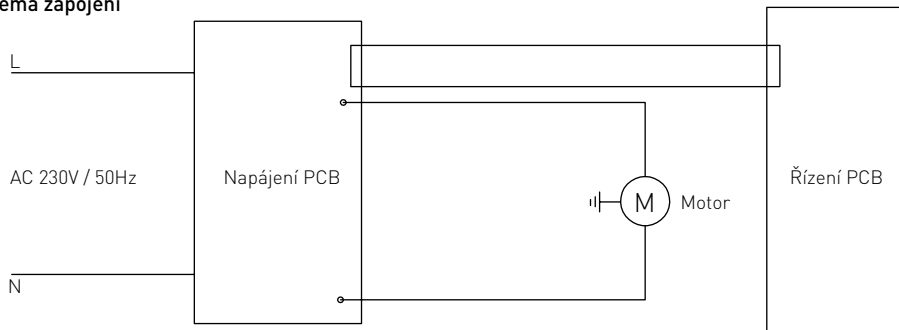


## Seznam náhradních dílů pro 222157

Obj. Č.	Název součásti	Množství
1	Titanový mixovací nůž	1
2	Těsnicí kroužek hřídele	1
3	Upevňovací pouzdro	1
4	Ložisko	1
5	Ocelový prstenec	1
6	Kryt hřídele	1
7	Hlavice krytu hřídele	1
8	Pouzdro upevnění hřídele	1
9	Prstenec ve tvaru E	1
10	Hřídel	1
11	Čep hřídele	1
12	Drážková hřídel	1
13	Antivibrační těsnicí prstenec	1
14	Prstenec s potaženým povrchem	1
15	Antivibrační prstenec motoru	1
16	Šrouby pro upevnění motoru	4
17	Montážní deska motoru	1
18	Klínové pouzdro	1
19	Motor	1
20	Pravý kryt motoru	1
21	Levý kryt motoru	1
22	Absorpční kryt motoru	2
23	Šrouby na upevnění krytu	2
24	Upevňovací matice levé a pravé části motoru	2
25	Ventilátor motoru	1
26	Horní kryt	1
27	Šrouby pro upevnění celého krytu	2
28	Guma chránící zapínač/vypínač	1
29	Upevňovací rám pro tlačítko	1
30	Řídící deska	1
31	Montážní šrouby	5
32	Kontrolní panel	1
33	Horní kryt	1
34	Montážní šroub k hornímu krytu	2
35	Kontrolní štítek	1
36	Reduktor napětí	1
37	Napájecí kabel se zástrčkou	1
38	Rám k upevnění motoru	1



## Schéma zapojení



## Záruka

Jakákoli závada ovlivňující funkčnost spotřebiče, která se projeví do jednoho roku po zakoupení, bude opravena bezplatnou opravou nebo výměnou za předpokladu, že spotřebič byl použit a udržován v souladu s pokyny a nebyl žádným způsobem zneužíván nebo zneužit. Vaše zákonná práva nejsou dotčena. Pokud je spotřebič nárokován v záruce,

uvedte, kde a kdy byl zakoupen, a přiložte doklad o koupi (např. potvrzení).

V souladu s naší politikou neustálého vývoje produktů si vyhrazujeme právo bez předchozího upozornění měnit specifikace produktu, balení a dokumentace.

## Vyřazení a životní prostředí

Při vyřazování spotřebiče z provozu nesmí být výrobek likvidován s jiným domovním odpadem. Místo toho je vaší odpovědností nakládat s odpadním zařízením tak, že je předáte určenému sběrnému místu. Nedodržení tohoto pravidla může být potrestáno v souladu s platnými předpisy o nakládání s odpady. Samostatný sběr a recyklace vašeho odpadního zařízení v době likvidace pomůže šetřit přírodní zdroje a zajistit jejich recyklaci způsobem,

který chrání lidské zdraví a životní prostředí.

Pro více informací o tom, kde můžete odložit svůj odpad k recyklaci, kontaktujte místní společnost pro sběr odpadu. Výrobci a dovozci nepřebírají odpovědnost za recyklaci, zpracování a ekologickou likvidaci, a to buď přímo, nebo prostřednictvím veřejného systému.

CZ



**Declaration of conformity/ Konformitätserklärung/ Conformiteitsverklaring/ Deklaracja Zgodności/ Déclaration de conformité/ Dichiarazione di conformità/ Declarație de conformitate/ Декларация соответствия/ Δήλωση συμμόρφωσης/ Prohlášení o shodě**

Hendi BV hereby declares under his own responsibility that the product:/ Hendi BV erklärt unter seiner alleinigen Verantwortung, dass Produkte:/ Hendi BV verklaart hierbij, onder eigen verantwoordelijkheid, dat de producten:/ Hendi BV oświadcza, na swoją wyłączną odpowiedzialność, że poniższe produkty:/ Hendi BV déclare, sous sa seule responsabilité, que les produits suivants:/ Hendi BV dichiara, sotto la sua esclusiva responsabilità, che i seguenti prodotti:/ Hendi BV declară pe propria răspundere că produsele:/ Hendi BV заявляет с полной ответственностью, что следующие продукты:/ Hendi BV δηλώνει με δική της ευθύνη ότι τα προϊόντα: / Společnost Hendi BV tímto prohlašuje na svou výhradní odpovědnost, že výrobek:

Product number: / Produktnummer: / Productnummer: / Kod Produktu: /

Code produit: / Codice prodotto: / Numărul: / Код Продукта: / Αριθμός προϊόντος: /  
Číslo výrobku:

222157

Product name: / Produktname: / Productschrijving: / Nazwa Produktu: /

Nom du produit: / Nome del prodotto: / Denumirea produsului: / Название  
Продукта: / Ονομασία προϊόντος: / Název výrobku:

Stick blender / Stabmixer / Staafmixer / Mikser ręczny /  
Mixeur plongeur / Frullatore a immersione / Blender stick /  
Ποгружной блендер / Ραβδομικλεντερ / Тυχώμυξίε

Brand: / Marke: / Merk: / Marka: / Marque: / Marchio: / Brand: / Марка: / Мάρκα: /  
Značka:

Hendi

Meets the essential requirements as described in: /

Erfüllt die Anforderungen wie beschrieben in: /

Voldoet aan de essentiële vereisten zoals beschreven in: /

Spetnia wymagania zasadnicze określone w następujących dyrektywach: /

Répond aux exigences essentielles définies dans les directives suivantes: /

Il prodotto soddisfa i requisiti essenziali stabiliti nelle seguenti direttive: /

Îndeplinește cerințele esențiale descrise în: /

Соответствует основным требованиям, записанным в следующих директивах: /

Πληροί τις βασικές απαιτήσεις όπως περιγράφεται στο: /

Spĺňuje základní požadavky popsané v:

2006/42/EC  
2014/30/EU  
2011/65/EU & 2015/863/EU

Has been engineered and manufactured in conformity to harmonized standards: /

Wurde in Übereinstimmung mit harmonisierten Normen entwickelt und hergestellt: /

Is ontwikkeld en vervaardigd in overeenstemming met geharmoniseerde normen: /

Został zaprojektowany i wykonany zgodnie z normami zharmonizowanymi: /

Il a été conçu et fabriqué selon des normes harmonisées: /

Il prodotto è stato progettato e realizzato secondo standard armonizzati: /

A fost proiectat și fabricat în conformitate cu standardele în vigoare: /

Спроектирован и сделан в соответствии с согласованными стандартами: /

Έχει σχεδιαστεί και κατασκευαστεί σύμφωνα με τα εναρμονισμένα πρότυπα: /

Byl navržen a vyroben v souladu s harmonizovanými normami:

EN 55014-1:2006+A1:2009+A2:2011  
EN 55014-2:2015  
EN 61000-3-2:2014  
EN 61000-3-3:2013  
EN 12853:2001+A1:2010  
EN 60204-1:2006+A1:2009/AC:2010  
EN ISO 12100:2010

Meets the requirements as described in regulations: /

Erfüllt die Anforderungen wie beschrieben in: /

Voldoet aan de eisen zoals beschreven in verordening: /

Spetnia wymagania określone w rozporządzeniach: /

Répond aux exigences énoncées dans les règlements: /

Il prodotto soddisfa i requisiti specificati nelle normative: /

Îndeplinește cerințele descrise în regulamente: /

Соответствует требованиям, записанным в декретах: /

Πληροί τις απαιτήσεις όπως περιγράφονται στους κανονισμούς: /

Spĺňuje požadavky stanovené v předpisech:

1907/2006/EC

Meets the requirements as described in resolutions: /

Erfüllt die Anforderungen wie in den Verordnungen beschrieben: /

Voldoet aan de vereisten zoals beschreven in resoluties: /

Spetnia wymagania opisane w uchwałach: /

Répond aux exigences décrites dans les résolutions: /

Il prodotto soddisfa i requisiti specificati nelle risoluzioni: /

Întrunește cerințele descrise în regulamente: /

Соответствует требованиям, описанным в решениях: /

Πληροί τις απαιτήσεις όπως περιγράφεται στις προδιαγραφές: /

Spĺňuje požadavky stanovené v usnesení:

CM/Res(2013)9

Technical documentation available at the company's headquarters: /  
Technische Dokumentation am Hauptsitz: /  
Technische documentatie beschikbaar op het hoofdkantoor: /  
Dokumentacja techniczna dostępna w siedzibie firmy: /  
Documentation technique disponible au siège de l'entreprise: /  
Documentazione tecnica disponibile presso la sede dell'azienda: /  
Documentația tehnică este disponibilă la sediul companiei: /  
Техническая документация доступна в главном офисе компании: /  
Η τεχνική τεκμηρίωση είναι διαθέσιμη στα κεντρικά γραφεία της εταιρείας: /  
Technická dokumentace k dispozici v sídle společnosti:

Hendi B.V.  
Innovatieleaan 6  
6745 XW De Klomp, The Netherlands

De Klomp, 12-07-2021

R.E. Vooijs  
Purchasing Manager





# HENDI

Tools for Chefs

## Hendi B.V.

Innovatielaan 6  
6745 XW De Klomp, The Netherlands  
**Tel:** +31 317 681 040  
**Email:** info@hendi.eu

## Hendi Polska Sp. z o.o.

ul. Firmowa 12  
62-023 Robakowo, Poland  
**Tel:** +48 61 658 7000  
**Email:** info@hendi.pl

## Hendi Food Service Equipment GmbH

Ehring 15  
5112 Lamprechtshausen, Austria  
**Tel:** +43 6274 200 10 0  
**Email:** office.austria@hendi.eu

## Hendi Food Service Equipment Romania S.R.L.

Str. 13 decembrie 94A, Hala 14  
Braşov, 500164, Romania  
**Tel:** +40 268 320330  
**Email:** office@hendi.ro

## PKS Hendi South East Europe SA

5 Metsovou Str.  
18346 Moschato, Athens, Greece  
**Tel:** +30 210 4839700  
**Email:** info@pks-hendi.com

## Hendi Italia S.R.L.

Via Leonardo da Vinci 4  
39100 Bolzano (BZ), Italy  
**Tel:** +39 800 727 438  
**Email:** office.italy@hendi.eu

## Hendi HK Ltd.

1208, 12/F Exchange Tower  
33 Wang Chiu Road, Kowloon Bay, Hong Kong  
**Tel:** +852 2154 2618  
**Email:** info-hk@hendi.eu

## Find Hendi on internet:

[www.hendi.eu](http://www.hendi.eu)  
[www.facebook.com/HendiToolsforChefs](https://www.facebook.com/HendiToolsforChefs)  
[www.linkedin.com/company/hendi-food-service-equipment-b.v.](https://www.linkedin.com/company/hendi-food-service-equipment-b.v.)  
[www.youtube.com/HendiEquipment](https://www.youtube.com/HendiEquipment)

- Changes, printing and typesetting errors reserved.  
- Änderungen und Druckfehler vorbehalten.  
- Wijzigingen en drukfouten voorbehouden.  
- Producent zastrzega sobie prawo do zmian oraz błędów drukarskich w instrukcji.  
- Variations et fautes d'impression réservés.

- Errori di cambiamenti, di stampa e di impaginazione riservati.  
- Drepturi rezervate cu privire la modificări și greșeli de imprimare.  
- Изменения, печати и верстки ошибки защищены.  
- Με επιφύλαξη αλλαγών, λαθών εκτύπωσης και στοιχειοθεσίας.  
- Změny, chyby tisku a sazby vyhrazeny.