
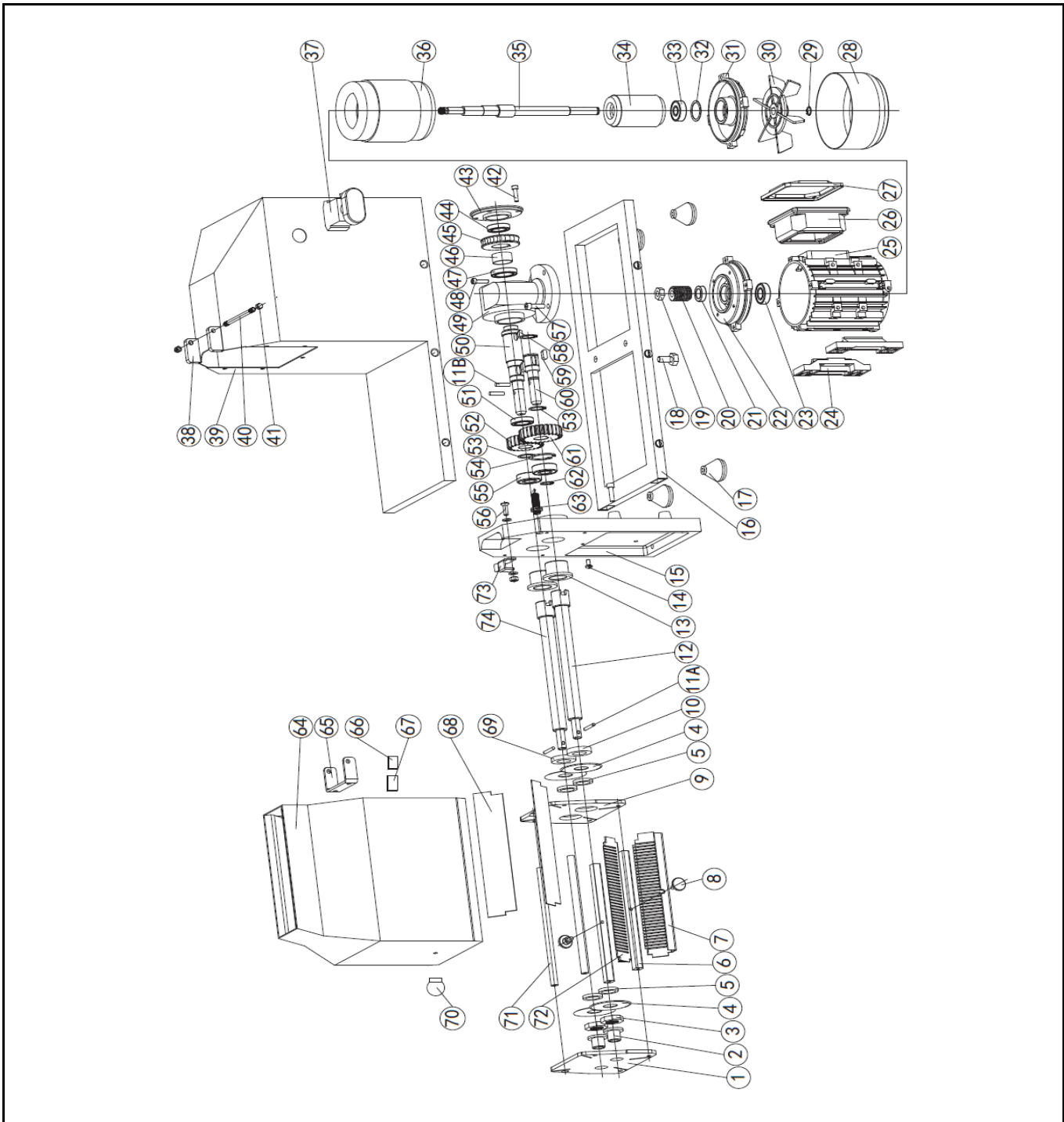



Drawing

 <p>Hendi B.V. Steenoven 21 3911 TX Rhenen The Netherlands</p>	Batch #	Appliance part#
	302326 and up	975305
	Description	
	Electric meat tenderizer	

Date	03-12-2015	Revision #	Revision version
Revision	First bill of Materials (BOM)		



Bill of materials (BOM)

 <p>Hendi B.V. Steenoven 21 3911 TX Rhenen The Netherlands</p>	Batch #	Appliance part#
	302326 and up	975305
	Description	
Electric meat tenderizer		

Date	03-12-2015	Revision #	Revision version
Revision	First bill of Materials (BOM)		


Item	Description	Part#	Quantity	Remark	Picture
1	Front end plate	n/a	1		
2	Bushing	935866	2		
3	Nut	935873	2		
4	Blade	935880	4		
5	Spacer ring	935897	4		
6	Distance bracket	n/a	2		
7	Blade (left side)	935903	1		
8	Lock nut	935910	2		
9	Back end plate	n/a	1		
10	Spacer ring (right side)	935927	2		
11	Pin	n/a	2		
12	Right axle	n/a	1		
13	Bushing	935934	2		
14	Screw	n/a	1		
15	Bracket	n/a	1		
16	Bottom cover	n/a	1		
17	Feet	n/a	4		
18	Bolt	n/a	4		
19	Nut M6	nss	1	Available as 935941	
20	Worm wheel incl nut M6	935941	1	Incl item 19	
21	Oil seal	935958			
22	Front cover	nss	1	Availabel as 935965	
23	Ballbearing 6202RZ	931165	1	Also in set 935965	
24	Motor mount	nss	2	Availabel as 935965	
25	Motor complete assembly	935965	1	Incl item 21,22,23,24,25,26,27,28,29 30,31,32,33,34,36	
26	Junction-box	nss	1	Availabel as 935965	
27	Cover Junction box	nss	1	Availabel as 935965	
28	Fan cover	nss	1	Availabel as 935965	
29	C-Type Snap Ring Ø 12mm	nss	1	Availabel as 935965	
30	Fan	nss	1	Availabel as 935965	
31	Back cover	nss	1	Availabel as 935965	
32	Waved ring	nss	1	Availabel as 935965	
33	Ballbearing 6202RZ	nss	1	Availabel as 935965	
34	Rotor	nss	1	Availabel as 935965	
35	Axle	nss	1	Availabel as 935965	
36	Stator	nss	1	Availabel as 935965	
37	Switch	935972	1		
38	Bracket connector	n/a	2		
39	Housing	n/a	1		
40	Stud	n/a	1		
41	Nut M10	n/a	2		
42	Inner hexagon screw	n/a	4		
43	Cover gear box	n/a	1		
44	Ballbearing 6804	n/a	1		
45	Worm wheel	n/a	1		
46	Spacer ring	n/a	1		
47	Ballbearing 6805	n/a	1		
48	Inner hexagon screw M5x16	n/a	2		
49	Gear housing	n/a	1		
50	Drive axle	n/a	1		
51	Oil seal	n/a	1		
52	Gear small (reversed)	n/a	1		
53	C-Type Snap Ring Ø 20mm	n/a	1		

54	C-Type Snap Ring Ø 35mm	n/a	1	
55	Ballbearing 6202RZ	931165	2	
56	Screw M5x20	n/a	1	
57	Screw M6x20	n/a	2	
58	Flat Key 5x5x12	n/a	1	
59	Flat Key 6x6x15	n/a	1	
60	Drive axle (reversed)	n/a	1	
61	Gear large	n/a	1	
62	C-Type Snap Ring Ø 15mm	n/a	1	
63	Magnet switch	n/a	1	
64	Housing	n/a	1	
65	Connect Bracket	n/a	1	
66	Magnet + Holder	935989	1	Incl item 67
67	Magnet holder	nss	1	Available as 935989
68	Guide plate	935996	2	
69	Spacer	n/a	2	
70	Knob	n/a	1	
71	Mandrel	n/a	2	
72	Blade (right side)	936009	1	
73	Lock	n/a	1	
74	Left Axle	n/a	1	

n/a -> not available

nss -> not sold separately

Circuit diagram

 <p>HENDI FOOD SERVICE EQUIPMENT</p> <p>Hendi B.V. Steenoven 21 3911 TX Rhenen The Netherlands</p>	Batch #	Appliance part#
	302326 and up	975305
	Description	
	Electric meat tenderizer	

Date	03-12-2015	Revision #	Revision version
Revision	First bill of Materials (BOM)		

