



HENDI
FOOD SERVICE EQUIPMENT

Outdoor 2016

Ready for a new season of outdoor cooking.





Everything for the barbecue season

Hendi has been developing and producing barbecues for almost 40 years. These years of experience result in barbecues that are robust, efficient and easy to use. All our gasbarbecues use gas fittings that comply with the most stringent of standards and are thus very safe to use. The development goal is always to create a product that will last for years and always produce great results.



4 GREEN FIRE PROFI LINE BARBECUES



11 GREEN FIRE KITCHEN LINE BARBECUE



12 GREEN FIRE BARBECUE ACCESSORIES



16 BAKE & GRILL MASTER BARBECUES



18 XENON & XANTOS POWERGRILL



20 CHARCOAL BARBECUES



21 FIËSTA BARBECUES



22 PATIO HEATERS



23 PATIO HEATER PYRAMID



GREEN FIRE PROFI LINE BARBECUES

High quality gas barbecues



Solid cast iron grid



Each burner element has its own piëzo ignition



Grid is easy to remove



Removable burner elements



Removable dripping tray



Quick coupler

Due to the windscreens, improved airflow and cast iron griddle the Green Fire barbecue boasts excellent performance in any weather. Green Fire barbecues can be fully and easily disassembled, including the burners themselves, which makes cleaning quick and easy.

Characteristics:

- Much less sensitive to wind thanks to the improved air supply
- Easy to clean, due to e.g. fully removable burners and removable Gastronorm 2/1 dripping tray.
- Improved burners grant 90% of the surface useful heat.
- Technical parts mounted out of sight.
- Very clean burning, low CO emissions.
- Removable legs.
- Supplied with wind screen.
- Elevated stainless steel grid for keeping warm sauces and finished food.
- Gas hose with quick connector fitting to the barbecue. Gas hose and regulator attach to gas bottle - improved portability.
- Roll top hood, side tables and other accessories available (see page 12 t/m 15).







GREEN FIRE PROFI LINE 2 BURNERS

Enamelled cast iron Gastronorm 1/1 griddle and grid included.

11,6 kWh

740x612x(H)825 mm

Item: 149508



NEW!



GREEN FIRE PROFI LINE 2 BURNERS

2 Stainless steel Gastronorm 1/1 barbecue grids included.

11,6 kWh

740x612x(H)825 mm

Item: 149621





GREEN FIRE PROFI LINE 3 BURNERS

Enamelled cast iron griddle and 2 Gastronorm 1/1 grids included.

On wheeled base.

17,4 kWh

1078x612x(H)825 mm

Item: 149591





GREEN FIRE PROFI LINE 4 BURNERS

2 Enamelled cast iron griddles and 2 Gastronorm 1/1 grids included.

22,0 kWh

1400x612x(H)825 mm

Item: 149607





GREEN FIRE PROFI LINE 4 BURNERS

2 Enamelled cast iron griddles and 2 Gastronorm 1/1 grids included.

On wheeled base.

22,0 kWh

1400x612x(H)825 mm

Item: 149614



GREEN FIRE KITCHEN LINE BARBECUE

The best basic barbecue



The Green Fire Kitchen Line barbecue is the base model of the Green Fire range. It uses the same technique as the Green Fire Profi Line. The wide range of accessories make this grill very versatile.

Characteristics:

- Much less sensitive to wind thanks to the improved air supply
- Easy to clean, due to e.g. fully removable burners and removable Gastronorm 2/1 dripping tray.
- Improved burners grant 90% of the surface useful heat.
- Technical parts mounted out of sight.
- Very clean burning, low CO emissions.
- Removable legs.
- Gas slang aan te sluiten d.m.v. een snelkoppeling. De drukregelaar wordt bevestigd aan de gasfles.
- Accessories available (see page 12 t/m 15).



GREEN FIRE KITCHEN LINE

2 burners | 11,6 kWh
740x612x(H)825 mm
Item: 149706



GREEN FIRE BARBECUES

Accessories

ROLL TOP HOOD

for Green Fire Profi Line with 2 burners (149508 & 149621)
With integrated thermometer
706x685x(H)239 mm
Item: 149515



SKEWER HOLDER

6 barbecue skewers included.
Item: 933657

NEW!



ACHTERBLAD

Suitable for Green Fire Profi Line: 149508, 149621, 149607, 149614.
Rear top 149539 is half as wide as the Green Fire with 4 burners. Two of these make one full-width rear top for the Green Fire with 4 burners.
650x298x(H)160 mm
Item: 149539



SIDE TABLE

Suitable for Green Fire Profi Line: 149508, 149591, 149607, 149614, 149621
480x298x(H)160 mm
Item: 149522



ENAMELLED GRIDDLE

• GN 2/1
650x530 mm
Item: 932858

• GN 1/1
325x530 mm
Item: 933404



GRID & FLAME TAMER GN 1/1

Place the flame tamer over the burner element to prevent fat dripping directly on the burner element. Chrome plated grid GN 1/1. Flame tamer made of stainless steel.
325x530 mm
Item: 933138



CAST IRON GRIDDLE GN 1/1

325x530 mm
Item: 932001



CAST IRON GRID GN 1/1

325x530 mm
Item: 932018



GREEN FIRE BARBECUES

Accessories

DUTCH PANCAKE GRIDDLE GN 2/1

Made out of copper
650x530 mm
Item: 149553



LAVA ROCK GRID

Supplied with lava rocks.
330x535x(H)68 mm
Item: 145777



WOK WITH HANDLES

With handles, sheet steel 1.5 mm thick.
Use in combination with stainless steel wok holder 149546
ø700x(H)235 mm
Item: 626504



WOK HOLDER

650x530 mm
Item: 149546

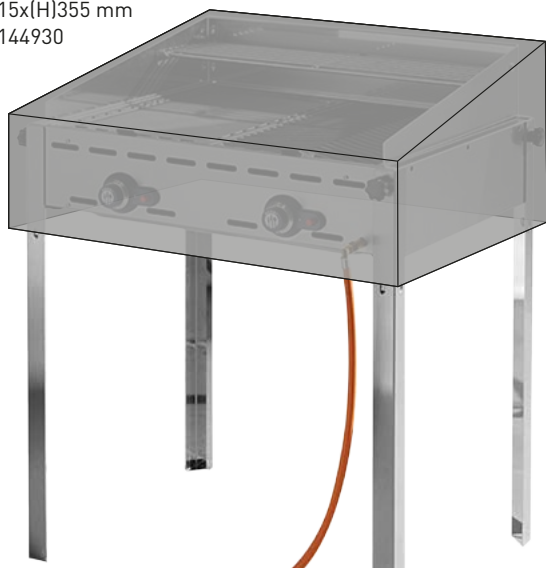


PROTECTIVE COVER

For Green Fire Profi Line: 149508, 149621

745x615x(H)355 mm

Item: 144930



PROTECTIVE COVER

For Green Fire Kitchen Line 149706

745x615x(H)210 mm

Item: 144947



LAVA ROCKS - FINE

• Box 3 kg

Item: 152706



LAVA ROCKS - COARSE

• Box 5 kg

Item: 152805

• Bag 9 kg

Item: 152904



BAKE & GRILL MASTER

The versatile all-rounders

The Bake- and Grillmaster series are a wide range of stainless steel gas barbecues for use with propane gas. The removable feet make them easy to transport.

Characteristics:

- Frame made of 18/0 stainless steel.
- Electronic ignition and thermocouple.
- Gas hose and pressure regulator included.
- Suitable for propane and butane gas.
- The Bake-Masters come with an enamelled frying pan.
- The Grill-Masters come with chrome plated grid and enamelled frying pan.
- The Grill Master Quattro comes with 2 chrome plated grids and an enamelled frying pan.
- The Roast Master comes with a chrome plated grid and heavy flame tamer.



grid included



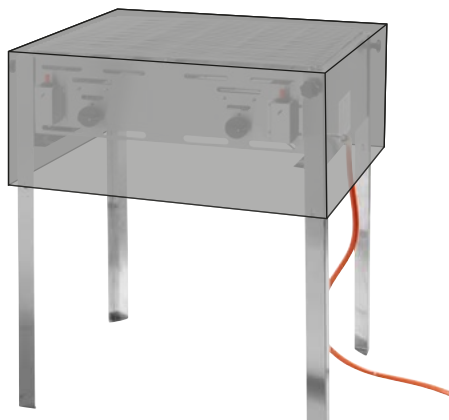
18/0

STAINLESS STEEL

GRILL MASTER MAXI

11,6 kWh
650x540x(H)840 mm
Item: 154717

NEW!



PROTECTIVE COVER

For Grill Master Maxi 154717 and
Roast Master Maxi 154878
720x560x(H)360 mm
Item: 144923



ROAST MASTER MAXI

11,6 kWh
650x540x(H)840 mm
Item: 154878





GRILL MASTER MINI

5,8 kWh
340x540x(H)840 mm
Item: 154700



GRILL MASTER QUATTRO

22 kWh
1270x525x(H)840 mm
Item: 154908



BAKE MASTER MINI

5,8 kWh
340x540x(H)300 mm
Item: 154601



BAKE MASTER MAXI

11,6 kWh
650x540x(H)300 mm
Item: 154618



XENON PRO POWERGRILL

High-power mobile gas barbecues



The Xenon Pro powergrill and its base is entirely made of chrome steel. The base with 2 wheels can be collapsed to turn the whole grill into a flat compact package that is easy to transport.

Characteristics:

- The single burner develops a high temperature in the windproof unit and therefore this barbecue is suitable for high volume production.
- The unit itself is easy to clean thanks to these high temperatures.
- Grid surface area 860x260 mm (2 grids of 430x260 mm).
- The grill is fitted with a thermocouple and electronic ignition, gas hose and pressure regulator are included.
- Suitable for propane gas.
- Consumption 536 g/h.



SIDE TABLE

Voor Xenon Pro Powergrill
870x180 mm
Item: 148143

XENON PRO POWERGRILL

7,5 kWh
1120x410x(H)900 mm
Item: 148105



XANTOS POWERGRILL

The ideal barbecue for events



This powergrill has four legs which can be easily removed for transport. The burners in the windproof unit develop high temperatures which makes the Xantos very suitable for events where large quantities need to be produced.

Characteristics:

- The 2 burners develop a high temperature in the windproof unit and therefore this barbecue is suitable for high volume production.
- The unit itself is easy to clean thanks to these high temperatures.
- The grill is fitted with a thermocouple and electronic ignition, gas hose and pressure regulator are included.
- Suitable for propane gas.
- Grid surface area 540x540 mm (2 grids of 540x270 mm).
- Consumption 699 g/h.



XANTOS POWERGRILL

9 kWh
760x720x(H)900 mm
Item: 148624



CHARCOAL BARBECUES

For the authentic barbecue taste



Hendi charcoal barbecues are made of chrome steel and have removable legs. The “Patio” model has 2 grids of 345x345 mm, while the “Resto” model has 3 of these grids.



BARBECUE RESTO

With 3 grids
1130x380x(H)760 mm
Item: 150801



BARBECUE PATIO

With 2 grids
770x380x(H)760 mm
Item: 150603



SKEWERS

- Chrome plated 210 mm
Per 100 in box
Item: 170038
- Stainless steel 250 mm
Per 6 on card
Item: 170120
- Stainless steel 350 mm
Per 6 on card
Item: 170328



GAS BARBECUES FIËSTA

Perfect for fairs and festivals



The Fiësta gas barbecue with stainless steel housing is perfect for preparing gyros, paëlla, shoarma and other mixed foods popular at festivals and other large events. They are also very useful as a secondary device next to traditional barbecues, for preparing side dishes like baked potato parts or stir-fry vegetables.

Characteristics:

- Stainless steel base and sheet steel paëlla pan \varnothing 600 mm.
- Includes gas hose, electronic ignition and pressure regulator.
- With thermocouple and a round burner.
- Burner unit can be removed for easy cleaning.
- The space underneath is suitable for gas cylinders of 5 or 6 kg.
- Suitable for propane gas, consumption 334 g/h.



FIËSTA 600

4,8 kWh
 \varnothing 600x(H)870 mm
Item: 146002

FIËSTA 800

7,0 kWh
 \varnothing 800x(H)900 mm
Item: 146804

PAËLLA PAN

Made of sheet steel, for Fiësta 600
 \varnothing 600x(H)40 mm
Item: 622407

PAËLLAPAN

Made of sheet steel, for Fiësta 800
 \varnothing 800x(H)50 mm
Item: 622605



PATIO HEATERS

For extra warmth on cold days



Hendi patio heaters quickly provide a pleasant warmth for otherwise cold patios. Both models are easy to transport thanks to the 2 wheels. They are also equipped with tilt protection to prevent injuries if they are accidentally knocked over. Two models are available: a fixed height version suitable for propane only, or a collapsible model suitable for propane and butane gas.



272602

272701

TERRASVERWARMER

- 12,7 kWh
ø770x(H)2200 mm
Item: 272602
- Collapsible to 160 cm height
12,7 kWh
ø770x(H)1580 mm - 2200 mm
Item: 272701



PROTECTIVE COVER

For 272602 and 272701
ø790x(H)2220 mm
Item: 144916



PATIO HEATER PYRAMID

Atmospheric warmth on the terrace.

The Pyramid patio heater provides warmth and atmosphere by a visible flame. This flame is created by igniting gas in a quartz glass tube, which runs from the housing to just below the hood. With its luxurious finish, the visible flame and sleek design the Pyramid patio heater will not look out of place on the terrace.

Characteristics:

- Aluminium structure with black metal side panels and quartz glass tube.
- Gas tank fits in the base.
- Includes electronic ignition, gas hose and pressure regulator.
- With anti-tilt protection.
- Suitable for propane or butane gas.

PATIO HEATER PYRAMID

420x420x(H)2220 mm

11,2 kWh

Item: 272404

PROTECTIVE COVER

For 272404

480x480x(H)2220 mm

Item: 144909





H E N D I
FOOD SERVICE EQUIPMENT

Hendi B.V.

Steenoven 21
3911 TX Rhenen, The Netherlands
Tel: +31 (0)317 681 040
Fax: +31 (0)317 681 045
Email: info@hendi.eu

Hendi Polska Sp. z o.o.

ul. Magazynowa 5
62-023 Gądkki, Poland
Tel: +48 61 6587000
Fax: +48 61 6587001
Email: info@hendi.pl

Hendi Food Service Equipment GmbH

Gewerbegebiet Ehring 15
5112 Lamprechtshausen, Austria
Tel: +43 (0) 6274 200 10 0
Fax: +43 (0) 6274 200 10 20
Email: office.austria@hendi.eu

Hendi Food Service Equipment Romania S.R.L.

Str. Ecaterina Teodoroiu nr. 38, Parc Industrial Ramoss
Halele 23-24, Brasov 500407, Romania
Tel: +40 268 320330
Fax: +40 268 320335
Email: office@hendi.ro

Hendi HK Ltd.

1603-5, Tower II, Enterprise Square
9 Sheung Yuet Road, Kowloon Bay, Hong Kong
Tel: +852 2801 5019
Fax: +852 2801 5057
Email: info-hk@hendi.eu

Hendi on the internet:

www.hendi.eu
www.facebook.com/HendiFoodServiceEquipment
www.linkedin.com/company/hendi-food-service-equipment-b.v.
www.youtube.com/HendiEquipment