



# HENDI

Tools for Chefs

---

## STAINLESS STEEL FURNITURE

Assortment 2021/2022

---



approx. 4 weeks  
delivery time

# CONTENT



100

Work tables

page 12



200

Tables with sink

page 48



500

Overshelves, stands

page 154



600

Auxiliary equipment

page 162



Maintenance and cleaning instructions

page 7



Extra cost

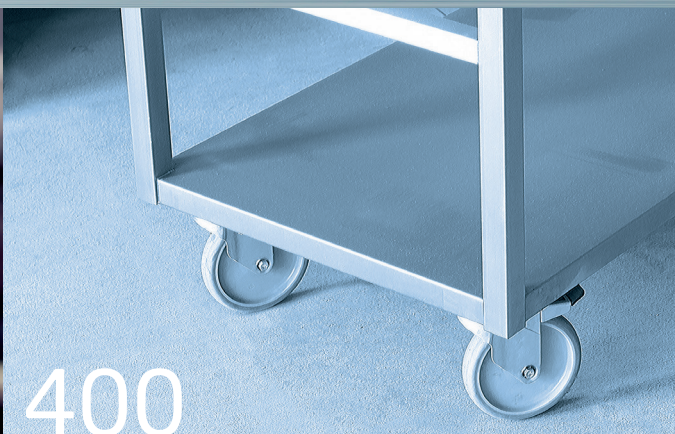
page 10



300

Storage cupboards, storage racks, shelves

page 100



400

Trolleys, waste bins

page 146



700

Extractor hoods

page 164

Additional information  
Index

page 8





# We use top quality machinery

The whole manufacturing process, from cutting sheet metal and profile sections, through punching, cutting out and then moulding and fabricating, and the final finish is carried out using our top quality machines, operated by our qualified and experienced team.

We work exclusively on machines produced by renowned international manufacturers. All the machines are modern, **which guarantees the highest quality and precision of the manufactured goods.**



# Maintenance and cleaning instructions for furniture made from steel with enhanced corrosion resistance (the so-called stainless steel) and recommendations regarding use.

Stainless steel is widely used in catering furniture production. Its smooth surface prevents pathogenic microflora growth, which helps maintain a high level of hygiene in food processing in collective catering kitchens.

Stainlessness of steel with enhanced corrosion resistance is a result of the composition of the alloy itself as well as of the chemical reaction taking place spontaneously on stainless steel surfaces, i.e. formation of a passive layer of chromium oxide. The process takes place only on clean surfaces with direct access to atmospheric oxygen.

As any other material, stainless steel requires proper use and care. Regular cleaning and maintenance of stainless steel furniture allows for its long-term and trouble-free use.

- 1. The furniture surfaces should be kept clean. Any dirt should be removed on a current basis. Dirt and deposits remaining on the furniture surface may cause discolouring and corrosion.**
- 2. The catering furniture should be cleaned using only the cleaning agents that are intended for stainless steel. In most cases the cleaning procedure consists in applying the agent on the furniture surface, removing the dirt with a cloth or a sponge, and then rinsing with clean water and wiping all the surfaces dry, including any hardly accessible places where dirt and moisture may accumulate.**
- 3. After cleaning, the stainless steel furniture should be preserved with products intended for stainless steel maintenance.**
- 4. Do not use abrasive powder or cream cleaners, silver cleaning agents, bleach or any other agents containing chlorine.**
- 5. Stainless steel surfaces that are used or cleaned incorrectly are prone to discolouring and tarnishing, and in a long run to corrosion.**
- 6. On the market there is a wide range of professional cleaning agents intended for cleaning and maintenance**

**of stainless steel. Please use only products of renowned brands and follow the instructions provided by their producers.**

Stainless steel may be damaged as a result of coming into contact with organic and inorganic acids and bases, e.g. derivatives of table salt, vinegar extracts, mustard, seasoning mixes and concentrates, etc. Therefore, it is advised not to leave any remains of foods or seasonings on the furniture surface for an extended length of time.

Other factors affecting stainless steel include coming into contact with other non-ferrous and ferrous metals, e.g. knife blades or metal scourers. Please do not cut directly on the furniture surface, and avoid other operations involving kitchen metal appliances, which could damage the passive layer.

Stainless steel furniture surfaces may also get discoloured as a result of coming into contact with any ingredients that have intensive colouring properties, such as blood or seasonings. This kind of discolouring is not a damage of the steel surface, but a result of normal use. In the course of further regular cleaning and maintenance of the furniture, the discolourations will be gradually fading away.

Inorganic compounds found in hard or ferrous tap water may form a deposit on the steel surfaces. Leaving the furniture without wiping them dry leads to evaporation of the water and precipitation of deposits which may have a rusty colour. Such discolourations are not signs of steel corrosion, but merely sediments on the surface. Sediments of this kind should be promptly removed as described above.

The Manufacturer and the Distributor of the stainless steel furniture shall not be liable for any damage to the furniture as a result of use, cleaning or maintenance contrary to the instructions above, or for any discolourations and sediments resulting from normal use.

# Index A-Z

1 level overshelf .....	156		
2 level overshelves.....	157		
<b>B</b>			
Butcher's block stand.....	159		
<b>C</b>			
Central angled extractor hood.....	171		
Central box extractor hood.....	170		
Central compensatory hood.....	178		
Central compensatory-induction hood.....	179		
Central induction hood.....	177		
Central trapezoid extractor hood.....	172		
Centre work table without splashback or shelf.....	20		
Centre work table without splashback with two undershelves.....	23		
Centre work table without splashback with undershelf.....	22		
Condensation hood.....	180		
Corner work table with splashback and shelf.....	19		
<b>D</b>			
Dishwasher stand.....	158		
Double rack for GN containers and baking trays..	130		
Double racking trolley for GN containers and baking trays.....	131		
Double-sided cupboard			
- with hinged doors.....	110-111		
- with partition and hinged doors.....	108		
- with partition and sliding doors.....	104		
- with sliding doors.....	109		
Double-sided storage cupboard			
- with hinged doors.....	119		
- with sliding doors.....	118		
<b>E</b>			
Extraction and air input hoods.....	173		
Extractor hoods.....	166		
<b>H</b>			
Hanging shelf			
- for equipment, reinforced.....	135		
- with three adjustable perforated shelves.....	141		
- with three adjustable shelves.....	137		
- with two adjustable perforated shelves.....	140		
- with two adjustable shelves.....	136		
Hood lighting - fluorescent lamps.....	182		
Hood lighting - LED.....	182		
<b>K</b>			
Kitchen extractor duct.....	182		
<b>L</b>			
Labyrinth filters for extractors.....	181		
Loading table for dishwashers			
- with sink and undershelf.....	89		
- with sink on two legs.....	91		
- with sink without shelf.....	95		
<b>M</b>			
Mobile table with shelf.....	19		
Mobile waste bin.....	152		
<b>O</b>			
Open fronted work table with splashback.....	37		
Open wall mounted storage cupboard.....	114		
Oven stand.....	160		
<b>P</b>			
Platform trolley.....	150		
Polyethylene butcher's block.....	159		
Pot stand.....	158		
Professional grease separator.....	163		
<b>R</b>			
Racking trolley for GN containers and baking trays.....	129		
Racking trolley for GN containers and baking trays - type Z.....	132		
Reinforced centre work table without splashback or shelf.....	21		
Reinforced table			
- with sink without shelf.....	54		
- with two sinks and undershelf.....	76		
- with two sinks without shelf.....	68		
Reinforced work table with splashback without shelf.....	16		
<b>S</b>			
Single adjustable hanging perforated shelf.....	138		
Single adjustable hanging shelf.....	133		
Single hanging perforated shelf with brackets.....	139		
Single hanging shelf with brackets.....	134		
Small platform trolley.....	151		
Small platform trolley with handle.....	150		
Static rack for GN containers and baking trays.....	128		
Storage cupboard			
- with basin and hinged doors.....	112-113		
- with hinged door.....	105-106		
- with partition and hinged doors.....	107		
- with partition and sliding doors.....	103		
Storage cupboard with sliding doors.....	102		
Storage rack			
- with 4 grating shelves.....	124		
- with 4 perforated shelves.....	122		
- with 4 solid shelves.....	120		
- with 5 grating shelves.....	125		
- with 5 perforated shelves.....	123		
- with 5 solid shelves.....	121		
- with adjustable shelves, 5 perforated shelves.....	127		
- with adjustable shelves, 5 solid shelves.....	126		
Suspended drawer.....	15		
<b>T</b>			
Table with double wash trough.....	53		
Table with single wash trough.....	52		
Table with sink.....	57		
- and cabinet with hinged door.....	66-67		
- and cabinet with sliding doors.....	65		
- and undershelf.....	60-61		
- and waste hole.....	87		
- without shelf.....	58-59		
- undershelf and cabinet with hinged door.....	64		
- undershelf and space for fridge or dishwasher.....	85		
- undershelf and three drawers.....	63		
- undershelf and two drawers.....	62		
Table with three sinks and undershelf.....	78		
Table with three sinks, without undershelf.....	77		
Table with two sinks.....	72		
- and cabinet.....	82		
- and cabinet with hinged doors.....	84		
- and cabinet with sliding doors.....	83		
- and undershelf.....	75		
- and waste hole.....	93		
- without shelf.....	73		
- without shelf.....	74		
- undershelf and cabinet with hinged door.....	81		
- undershelf and cabinet with three drawers.....	80		
Table with two sinks, undershelf and cabinet with two drawers.....	79		
- undershelf and space for fridge or dishwasher.....	92		
Table with two small sinks.....	71		
Trolley cupboard with sliding doors.....	148		
Trolley for GN containers with work surface.....	148		
<b>U</b>			
Unloading table for dishwashers			
- on two legs.....	90		
- with undershelf.....	88		
- without shelf.....	94		
<b>W</b>			
Waiter's trolley.....	149		
Waiter's trolley with cutlery compartments.....	151		
Wall mounted			
- angled extractor hood.....	168		
- box extractor hood.....	167		
- compensatory hood.....	175		
- compensatory-induction hood.....	176		
- induction hood.....	174		
Wall mounted storage cupboard			
- with hinged door.....	116		
- with hinged doors.....	117		
- with sliding doors.....	115		
Wall mounted table with sink.....	55-56		
Wall mounted table with two sinks.....	69		
Wall mounted table with two sinks.....	70		
Wall mounted trapezoid extractor hood.....	169		
Wall mounted wash basin.....	50-51		
Wall mounted work table with splashback.....	14		
Waste bin.....	152		
Work table with splashback			
- and drawers.....	24		
- and tiltable waste bin.....	37		
- and two undershelves.....	18		
- and undershelf.....	17		
- and waste hole.....	86		
- without shelf.....	15		
- cabinet with hinged door.....	27		
- cabinet with hinged door.....	35		
- cabinet with hinged door and two undershelves.....	33		
- cabinet with hinged door and undershelf.....	32		
- cabinet with sliding doors and hinged door.....	40		
- cabinet with three drawers.....	26		
- cabinet with three drawers and hinged door.....	42-43		
- cabinet with three drawers and sliding doors.....	44		
- cabinet with three drawers and two undershelves.....	31		
- cabinet with three drawers and undershelf.....	30		
- cabinet with two drawers.....	25		
- cabinet with two drawers and hinged door.....	39, 41		
- cabinet with two drawers and sliding doors.....	38		
- cabinet with two drawers and two undershelves.....	29		
- cabinet with two drawers and undershelf.....	28		
Work table, cabinet with hinged doors.....	36		
Work table, cabinet with sliding doors.....	34		



# Code-based index

POL-101	15	POL-421	148	POL-310-3	117	POL-124-L	27	POL-132-P	39
POL-102	16	POL-422	149	POL-311-2	109	POL-125-L	28	POL-134-P	40
POL-103	17	POL-423	149	POL-312-2	111	POL-126-L	32	POL-135-P	41
POL-104	19	POL-424	150	POL-381-3	133	POL-130-L	38	POL-137-P	43
POL-105	19	POL-425	151	POL-382-3	134	POL-132-L	39	POL-138-P	44
POL-110	20	POL-426	151	POL-383-3	135	POL-134-L	40	POL-210-P	54
POL-111	21	POL-427	150	POL-384-3	136	POL-135-L	41	POL-211-P	58
POL-112	22	POL-429	152	POL-385-3	137	POL-137-L	43	POL-212-P	60
POL-121	24	POL-440	148	POL-501-6	156	POL-138-L	44	POL-215-P	62
POL-127	34	POL-501	156	POL-502-6	157	POL-210-L	54	POL-216-P	64
POL-129	37	POL-502	157	POL-103/2-6	18	POL-211-L	58	POL-217-P	65
POL-131	37	POL-505	158	POL-112/2-6	23	POL-212-L	60	POL-218-P	67
POL-201	50	POL-507	159	POL-123-3-L	26	POL-215-L	62	POL-220-P	68
POL-211	57	POL-509	159	POL-125-3-L	30	POL-216-L	64	POL-221-P	73
POL-212	57	POL-513	160	POL-136-3-L	42	POL-217-L	65	POL-222-P	75
POL-221	72	POL-517	158	POL-211-6-L	59	POL-218-L	67	POL-223-P	77
POL-222	72	POL-601	163	POL-212-6-L	61	POL-220-L	68	POL-224-P	78
POL-227	82	POL-710	167	POL-215-3-L	63	POL-221-L	73	POL-225-P	79
POL-228	82	POL-720	170	POL-221-6-L	74	POL-222-L	75	POL-226-P	81
POL-235	86	POL-730	168	POL-222-6-L	76	POL-223-L	77	POL-227-P	83
POL-301	102	POL-740	169	POL-225-3-L	80	POL-224-L	78	POL-228-P	84
POL-302	103	POL-750	171	POL-125-3-L/2	31	POL-225-L	79	POL-231-P	85
POL-303	104	POL-760	172	POL-123-3-P	26	POL-226-L	81	POL-236-P	87
POL-304	106	POL-790	180	POL-125-3-P	30	POL-227-L	83	POL-237-P	88
POL-305	107	POL-102-6	16	POL-136-3-P	42	POL-228-L	84	POL-238-P	89
POL-306	108	POL-103/2	18	POL-211-6-P	59	POL-231-L	85	POL-239-P	90
POL-307	114	POL-103-6	17	POL-212-6-P	61	POL-236-L	87	POL-240-P	91
POL-309	115	POL-110-6	20	POL-215-3-P	63	POL-237-L	88	POL-241-P	92
POL-310	116	POL-111-6	21	POL-221-6-P	74	POL-238-L	89	POL-246-P	93
POL-311	109	POL-112/2	23	POL-222-6-P	76	POL-239-L	90	POL-247-P	94
POL-312	111	POL-112-6	22	POL-225-3-P	80	POL-240-L	91	POL-248-P	95
POL-318	112	POL-121-3	24	POL-310-2P	119	POL-241-L	92	POL-309P	118
POL-319	113	POL-121-4	24	POL-125-3-P/2	31	POL-246-L	93	POL-310P	119
POL-334	120	POL-121-6	24	POL-381-3-PERF	138	POL-247-L	94	POL-125-P/2	29
POL-335	121	POL-128-1	35	POL-382-3-PERF	139	POL-248-L	95	POL-126-P/2	33
POL-344	122	POL-128-2	35	POL-384-3-PERF	140	POL-125-L/2	29	POL-381-PERF	138
POL-345	123	POL-128-3	36	POL-385-3-PERF	141	POL-126-L/2	33	POL-382-PERF	139
POL-354	124	POL-205/3	52	POL-304-2-W	105	POL-201M	50	POL-384-PERF	140
POL-355	125	POL-205/4	52	POL-312-2-W	110	POL-221-MK	71	POL-385-PERF	141
POL-356	126	POL-206/3	53	POL-770-I	174	POL-222-MK	71	POL-304-W	105
POL-357	127	POL-206/4	53	POL-780-I	177	POL-201M-O	51	POL-312-W	110
POL-360	128	POL-218-1	66	POL-360-K	129	POL-201-O	51	POL-101-WI	14
POL-370	130	POL-301-2	102	POL-370-K	131	POL-123-P	25	POL-211-WI	55
POL-375	132	POL-302-2	103	POL-429-K	152	POL-124-P	27	POL-221-WI	69
POL-381	133	POL-303-2	104	POL-770-K	175	POL-125-P	28	POL-211-WI-L	56
POL-382	134	POL-304-2	106	POL-780-K	178	POL-126-P	32	POL-221-WI-L	70
POL-383	135	POL-305-2	107	POL-770-KI	176	POL-127P	34	POL-211-WI-P	56
POL-384	136	POL-306-2	108	POL-780-KI	179	POL-128P	36	POL-221-WI-P	70
POL-385	137	POL-310-2	117	POL-123-L	25	POL-130-P	38		

# Extra cost

<b>Worksurface</b>	<b>net price €</b>
Additional side edging h = 40 mm	28,-
Tap hole Ø 35 mm	10,-
Additional tap hole 2x Ø 35 mm	13,-
Hole for waste disposal unit Ø 90 mm	49,-
Hole in the worktop	181,-
Waste hole Ø 150 mm	91,-
Splashback h = 100x20 - 1 running metre	67,-
Splashback h = 100 - Work tables - 1 running metre	34,-
Splashback h = 100 - Tables with sink - 1 running metre	39,-
Back of worksurface or corner edge cut to shape	60-120,-
Additional sink 240x340x150 mm	259,-
Additional sink 300x325x150 mm	260,-
Additional sink 400x400x250 mm	246,-
Additional sink 400x500x250 mm	346,-
Additional sink 500x500x250 mm	398,-
Additional sink 600x500x300 mm	447,-
<b>Cupboard</b>	
Mounting lock on draw	63,-
Mounting lock on hinged doors	63,-
Mounting lock on sliding doors	76,-
<b>Frame</b>	
Change of normal shelf to perforated shelf 1m <sup>2</sup>	97,-
Change of a permanent cupboard shelf to a removable one, with adjustable height	181,-
Change of adjustable feet to castor wheels	151,-
Drawer for table B = 600 mm	194,-
Drawer for table B = 700 mm	219,-
Additional full shelf - 1 running metre	115,-
Side masking panel for trough h = 300 mm	57,-
Side masking panel for trough h = 400 mm	78,-
Non-standard removal of back legs	76,-
Change of height of racks (h) from 1800 mm to 2000 mm	60,-
Change of height of tables (h) from 850 mm to 900 mm	36,-
Change of height of tables with cabinets (h) from 850 mm to 900 mm	109,-
Change of duct connectors position in the hoods	34,-



Door lock  
Lock 1 pc = 1 hinged door leaf



Drawer lock  
Lock 1 pc = 1 drawer



Sliding door lock  
Lock 1 pc = 1 sliding doors

A wide range of additional sinks





# 100

# WORK TABLES



- standard length of selected models up to 2800 mm
- work table with splashback on 6 legs to ensure maximum stability
- inner surface of worktop reinforced with laminated waterproofed board
- all tables fitted with adjustable feet
- optional lock fitting
- furniture produced according to AISI 304 standards
  - extra cost next to each individual item

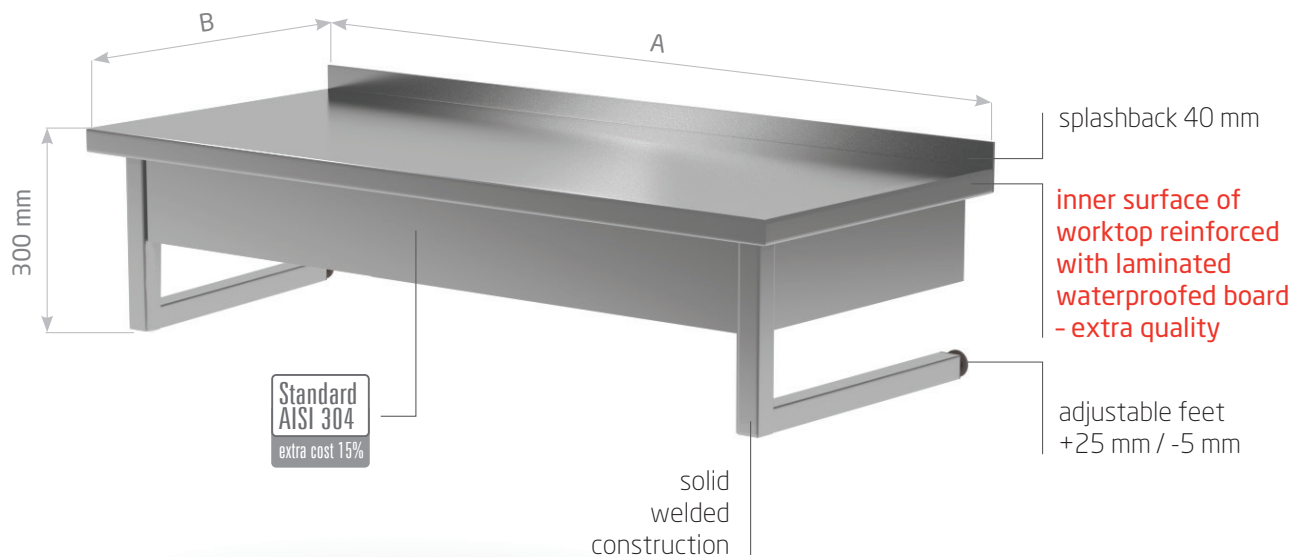
- approximate permissible load per worktop or shelf is 70 kg/m<sup>2</sup>. If heavier loads are expected, please contact us in order to modify the design

magnetix

Innovative magnetic closure

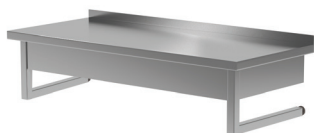
6  
security  
legs

6 legs ensuring stability and safety at work



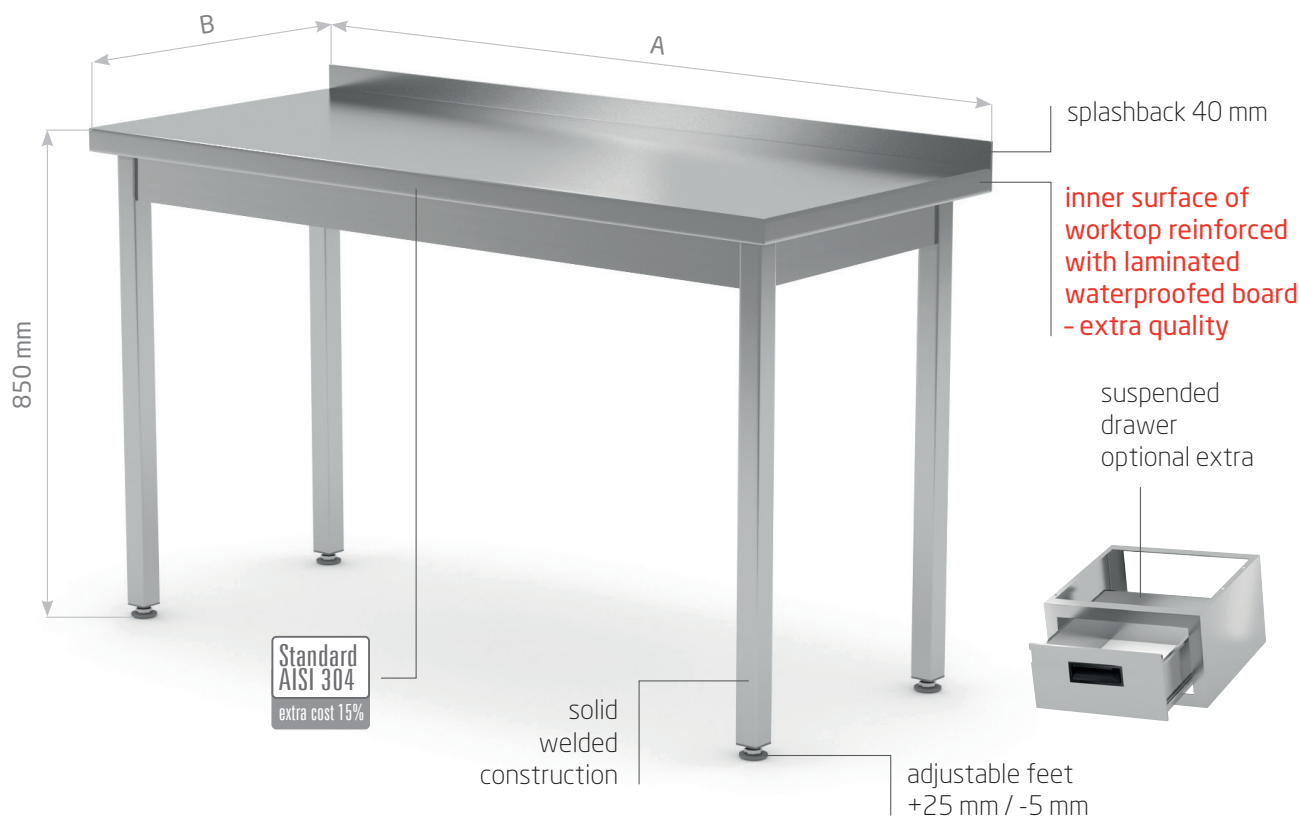
## Wall mounted work table with splashback

- enabling wall mounting
- side brackets - for stability



POL-101-WI

A mm	B = 600 mm			B = 700 mm		
	code	weight kg	price €	code	weight kg	price €
400	101046-WI	10	247,-	101047-WI	11	258,-
500	101056-WI	11	266,-	101057-WI	13	279,-
600	101066-WI	12	284,-	101067-WI	14	301,-
700	101076-WI	13	303,-	101077-WI	15	322,-
800	101086-WI	15	324,-	101087-WI	17	343,-
900	101096-WI	16	343,-	101097-WI	18	361,-
1000	101106-WI	17	361,-	101107-WI	20	382,-
1100	101116-WI	18	380,-	101117-WI	21	403,-
1200	101126-WI	19	399,-	101127-WI	22	425,-
1300	101136-WI	21	419,-	101137-WI	24	446,-
1400	101146-WI	22	439,-	101147-WI	25	465,-
1500	101156-WI	23	457,-	101157-WI	27	486,-
1600	101166-WI	24	475,-	101167-WI	28	507,-
1700	101176-WI	26	493,-	101177-WI	29	530,-
1800	101186-WI	27	513,-	101187-WI	31	551,-
1900	101196-WI	28	534,-	101197-WI	32	569,-

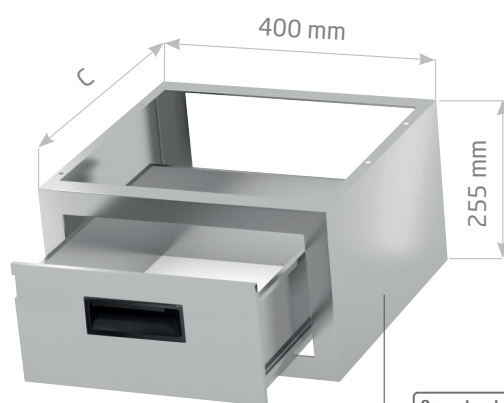


## Work table with splashback without shelf



POL-101

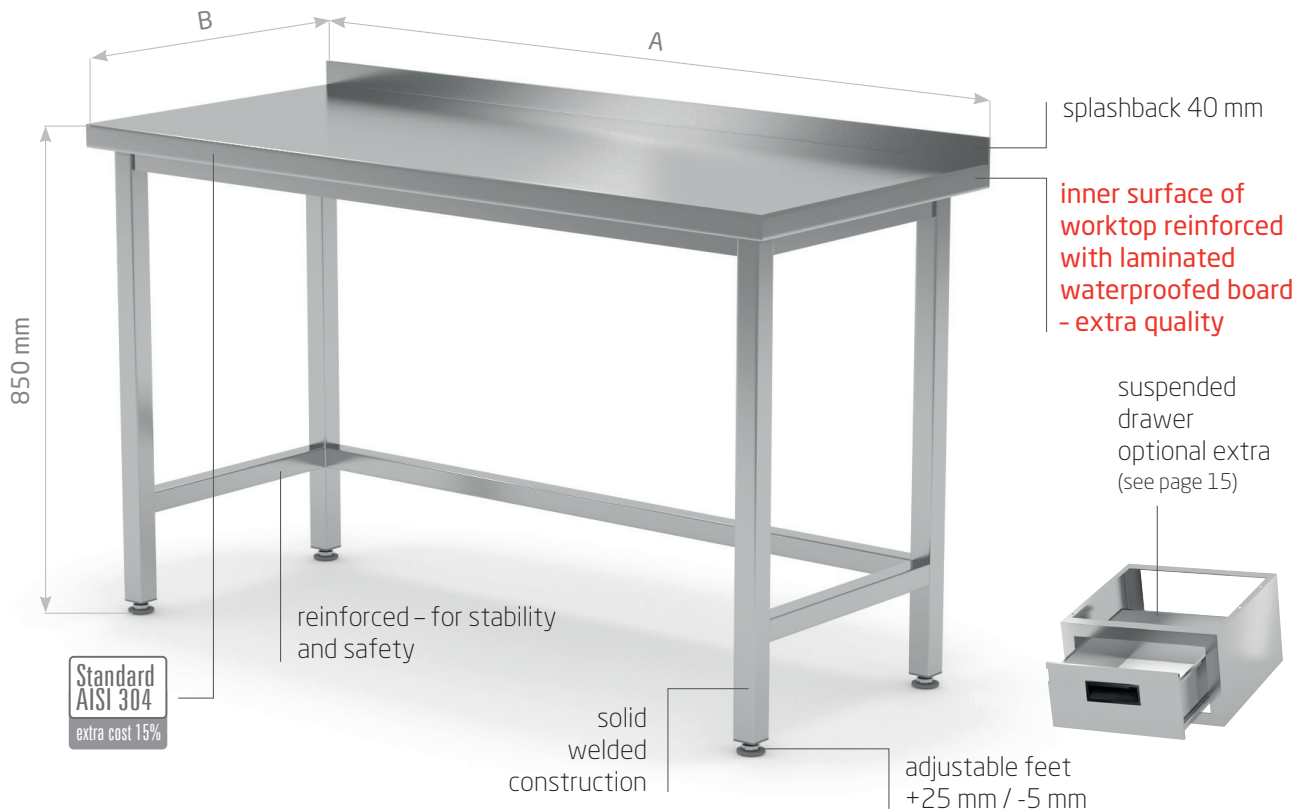
A mm	B = 600 mm			B = 700 mm		
	code	weight kg	price €	code	weight kg	price €
400	101046	11	261,-	101047	12	272,-
500	101056	13	280,-	101057	14	294,-
600	101066	15	300,-	101067	16	317,-
700	101076	16	319,-	101077	17	338,-
800	101086	17	342,-	101087	19	360,-
900	101096	19	360,-	101097	20	380,-
1000	101106	20	380,-	101107	22	403,-
1100	101116	21	399,-	101117	24	425,-
1200	101126	23	420,-	101127	25	447,-
1300	101136	24	441,-	101137	27	469,-
1400	101146	26	461,-	101147	28	489,-
1500	101156	27	481,-	101157	30	511,-
1600	101166	28	500,-	101167	32	534,-
1700	101176	30	520,-	101177	33	556,-
1800	101186	31	539,-	101187	35	579,-
1900	101196	33	562,-	101197	37	598,-



## Suspended drawer

Suspended drawer for table  
A >= 600 mm

B mm	code	C mm	price €
	600	SZ460	485
700	SZ470	585	218,-



## Reinforced work table with splashback without shelf



POL-102



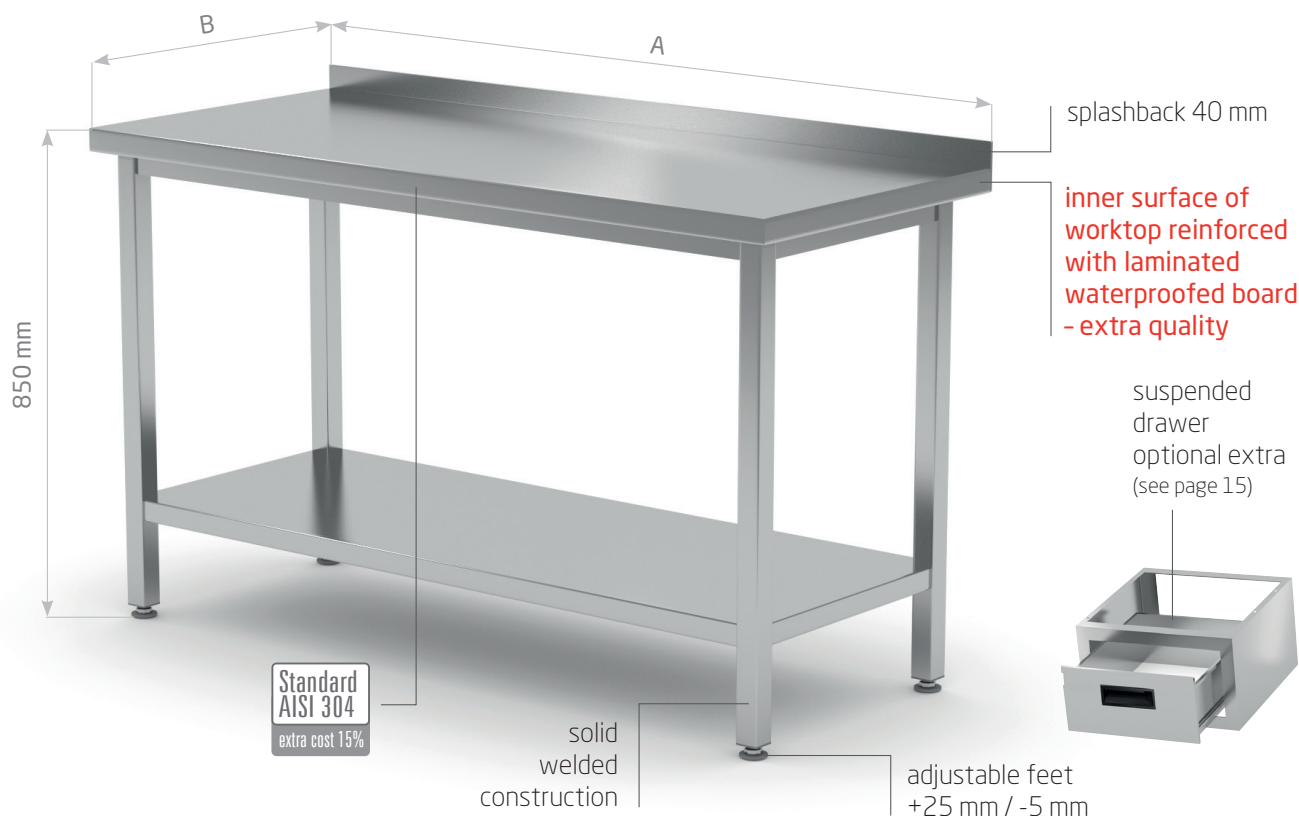
6 security legs

POL-102-6

A mm	B = 600 mm			B = 700 mm		
	code	weight kg	price €	code	weight kg	price €
400	102046	12	277,-	102047	13	290,-
500	102056	14	297,-	102057	15	312,-
600	102066	15	319,-	102067	17	336,-
700	102076	17	338,-	102077	18	357,-
800	102086	18	360,-	102087	20	380,-
900	102096	20	380,-	102097	22	406,-
1000	102106	21	403,-	102107	23	429,-
1100	102116	23	422,-	102117	25	450,-
1200	102126	24	446,-	102127	27	472,-
1300	102136	25	464,-	102137	28	495,-
1400	102146	27	486,-	102147	30	517,-
1500	102156	28	506,-	102157	32	539,-
1600	102166	30	528,-	102167	33	562,-
1700	102176	31	548,-	102177	35	588,-
1800	102186	33	570,-	102187	36	609,-
1900	102196	34	590,-	102197	38	632,-

A mm	B = 600 mm			B = 700 mm		
	code	weight kg	price €	code	weight kg	price €
2000	102206-6	40	719,-	102207-6	44	765,-
2100	102216-6	41	741,-	102217-6	46	790,-
2200	102226-6	43	764,-	102227-6	47	813,-
2300	102236-6	44	786,-	102237-6	49	836,-
2400	102246-6	46	808,-	102247-6	51	862,-
2500	102256-6	47	828,-	102257-6	53	884,-
2600	102266-6	49	850,-	102267-6	54	909,-
2700	102276-6	50	871,-	102277-6	56	932,-
2800	102286-6	52	894,-	102287-6	58	955,-





## Work table with splashback and undershelf

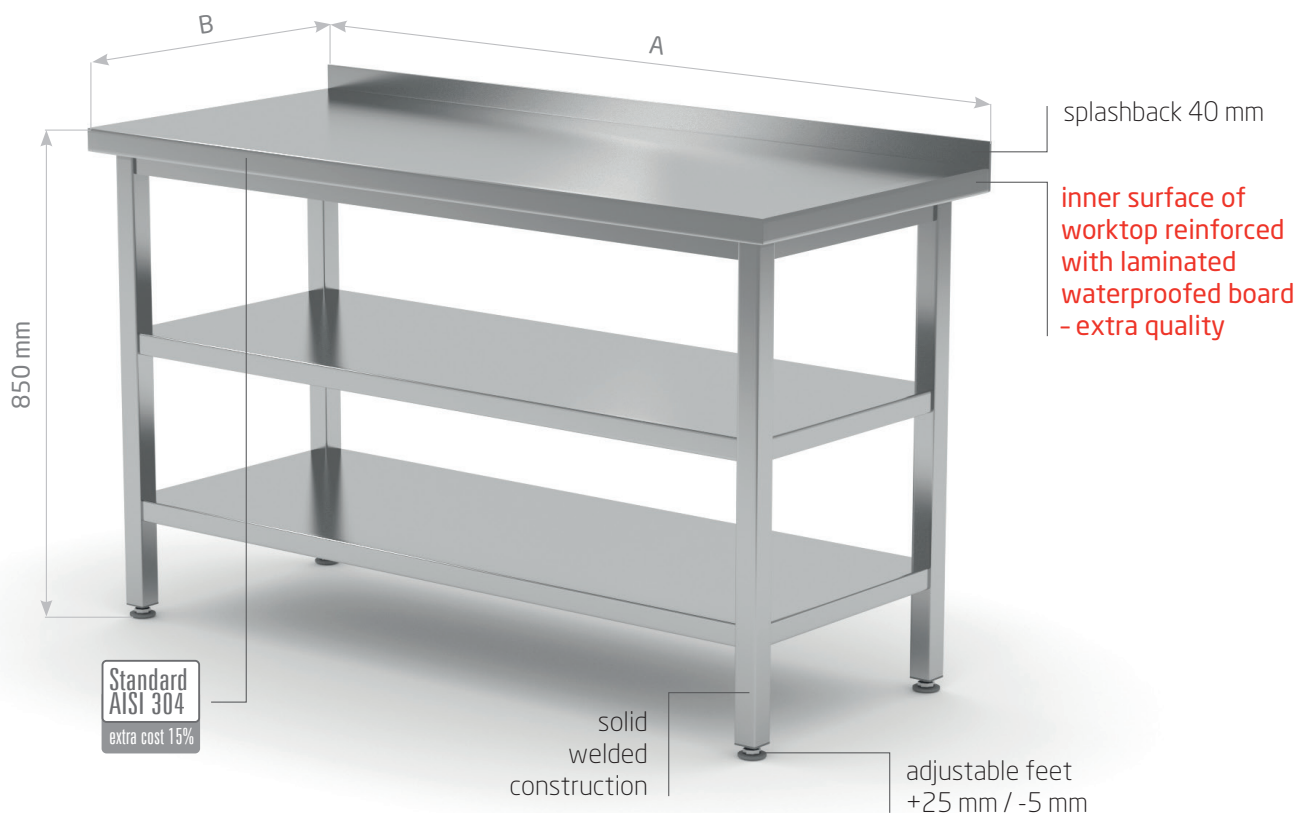


POL-103



POL-103-6

A mm	B = 600 mm			B = 700 mm			A mm	B = 600 mm			B = 700 mm		
	code	weight kg	price €	code	weight kg	price €		code	weight kg	price €	code	weight kg	price €
400	103046	14	294,-	103047	15	311,-	2000	103206-6	47	820,-	103207-6	53	878,-
500	103056	16	319,-	103057	17	338,-	2100	103216-6	49	845,-	103217-6	55	908,-
600	103066	17	345,-	103067	19	367,-	2200	103226-6	51	870,-	103227-6	57	936,-
700	103076	19	373,-	103077	21	396,-	2300	103236-6	53	895,-	103237-6	59	965,-
800	103086	21	396,-	103087	24	425,-	2400	103246-6	55	920,-	103247-6	61	995,-
900	103096	23	422,-	103097	26	454,-	2500	103256-6	57	946,-	103257-6	63	1 024,-
1000	103106	25	447,-	103107	28	481,-	2600	103266-6	59	971,-	103267-6	66	1 052,-
1100	103116	27	475,-	103117	30	511,-	2700	103276-6	61	996,-	103277-6	68	1 082,-
1200	103126	29	500,-	103127	32	539,-	2800	103286-6	63	1 023,-	103287-6	70	1 111,-
1300	103136	31	525,-	103137	35	567,-							
1400	103146	33	551,-	103147	37	597,-							
1500	103156	35	579,-	103157	39	623,-							
1600	103166	37	604,-	103167	41	654,-							
1700	103176	39	630,-	103177	43	682,-							
1800	103186	41	657,-	103187	46	710,-							
1900	103196	43	682,-	103197	48	738,-							



## Work table with splashback and two undershelves



POL-103/2

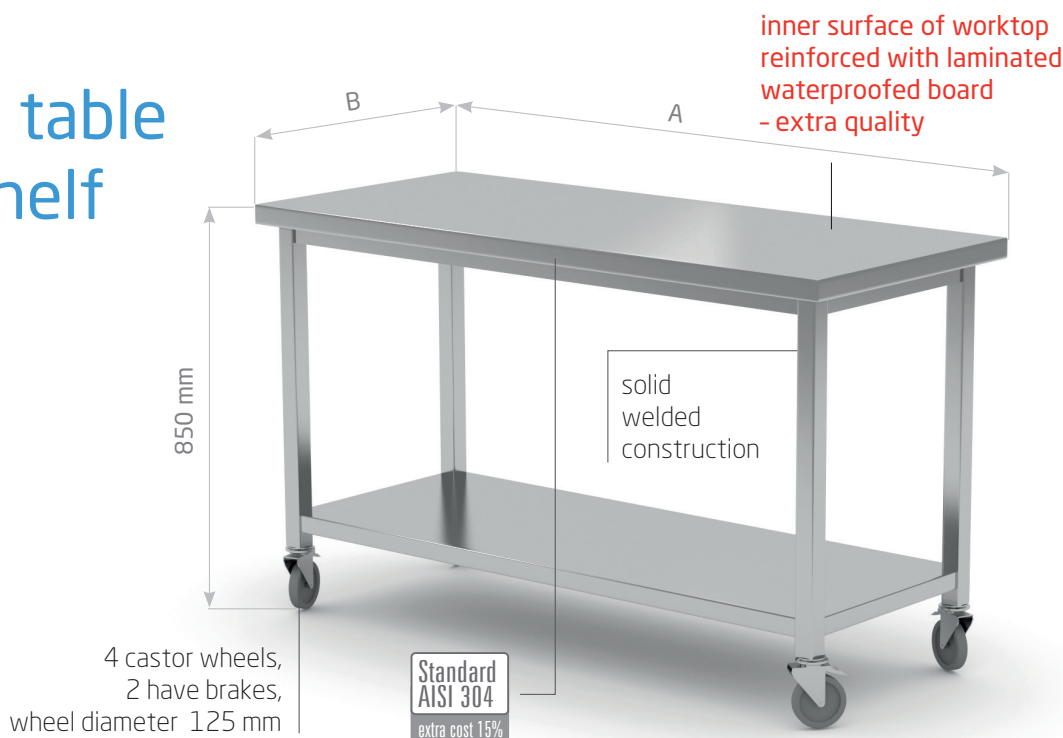


6 security legs

POL-103/2-6

A mm	B = 600 mm			B = 700 mm			A mm	B = 600 mm			B = 700 mm		
	code	weight kg	price €	code	weight kg	price €		code	weight kg	price €	code	weight kg	price €
400	103046/2	16	332,-	103047/2	17	353,-	2000	103206/2-6	58	1 010,-	103207/2-6	65	1 091,-
500	103056/2	18	367,-	103057/2	20	391,-	2100	103216/2-6	61	1 045,-	103217/2-6	68	1 132,-
600	103066/2	21	401,-	103067/2	23	430,-	2200	103226/2-6	63	1 080,-	103227/2-6	70	1 174,-
700	103076/2	23	439,-	103077/2	26	472,-	2300	103236/2-6	65	1 115,-	103237/2-6	73	1 215,-
800	103086/2	26	474,-	103087/2	28	510,-	2400	103246/2-6	68	1 150,-	103247/2-6	76	1 255,-
900	103096/2	28	509,-	103097/2	31	549,-	2500	103256/2-6	70	1 187,-	103257/2-6	79	1 296,-
1000	103106/2	31	542,-	103107/2	34	588,-	2600	103266/2-6	73	1 220,-	103267/2-6	82	1 337,-
1100	103116/2	33	580,-	103117/2	37	629,-	2700	103276/2-6	75	1 257,-	103277/2-6	85	1 377,-
1200	103126/2	36	615,-	103127/2	40	667,-	2800	103286/2-6	78	1 292,-	103287/2-6	87	1 418,-
1300	103136/2	38	650,-	103137/2	42	706,-							
1400	103146/2	41	684,-	103147/2	45	744,-							
1500	103156/2	43	722,-	103157/2	48	782,-							
1600	103166/2	45	757,-	103167/2	51	825,-							
1700	103176/2	48	790,-	103177/2	54	863,-							
1800	103186/2	50	828,-	103187/2	56	901,-							
1900	103196/2	53	863,-	103197/2	59	940,-							

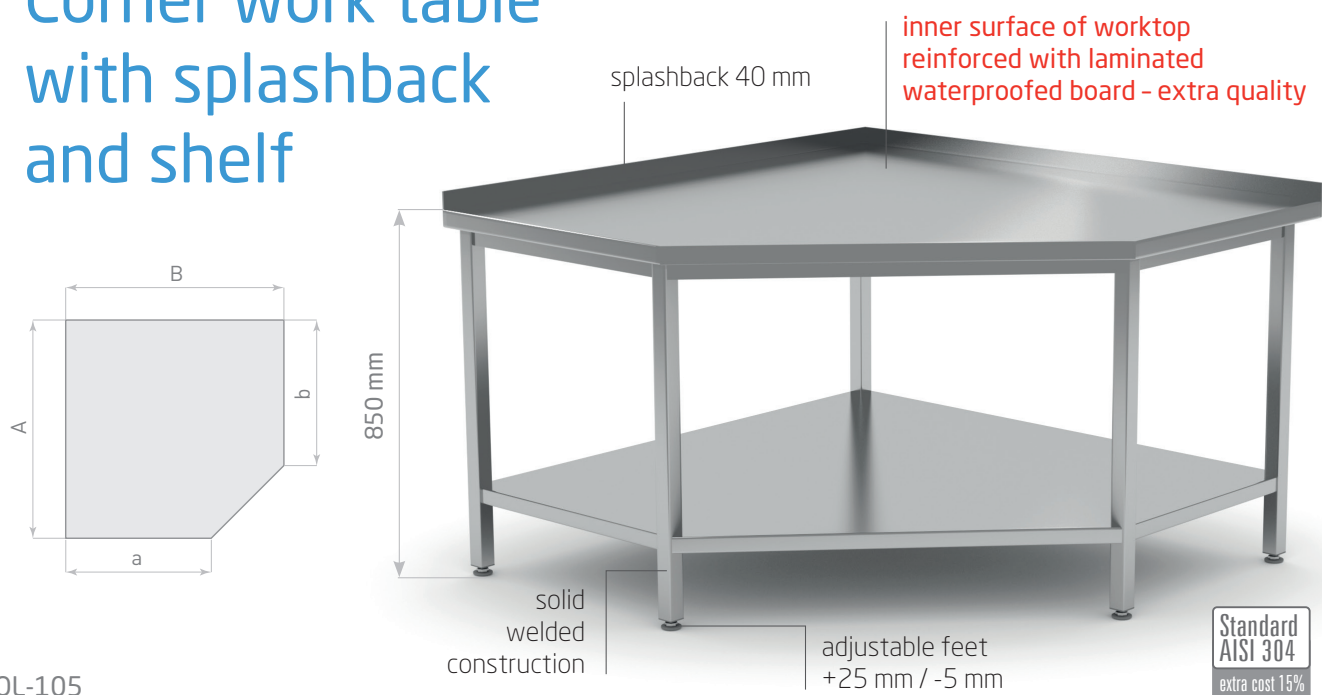
# Mobile table with shelf



POL-104

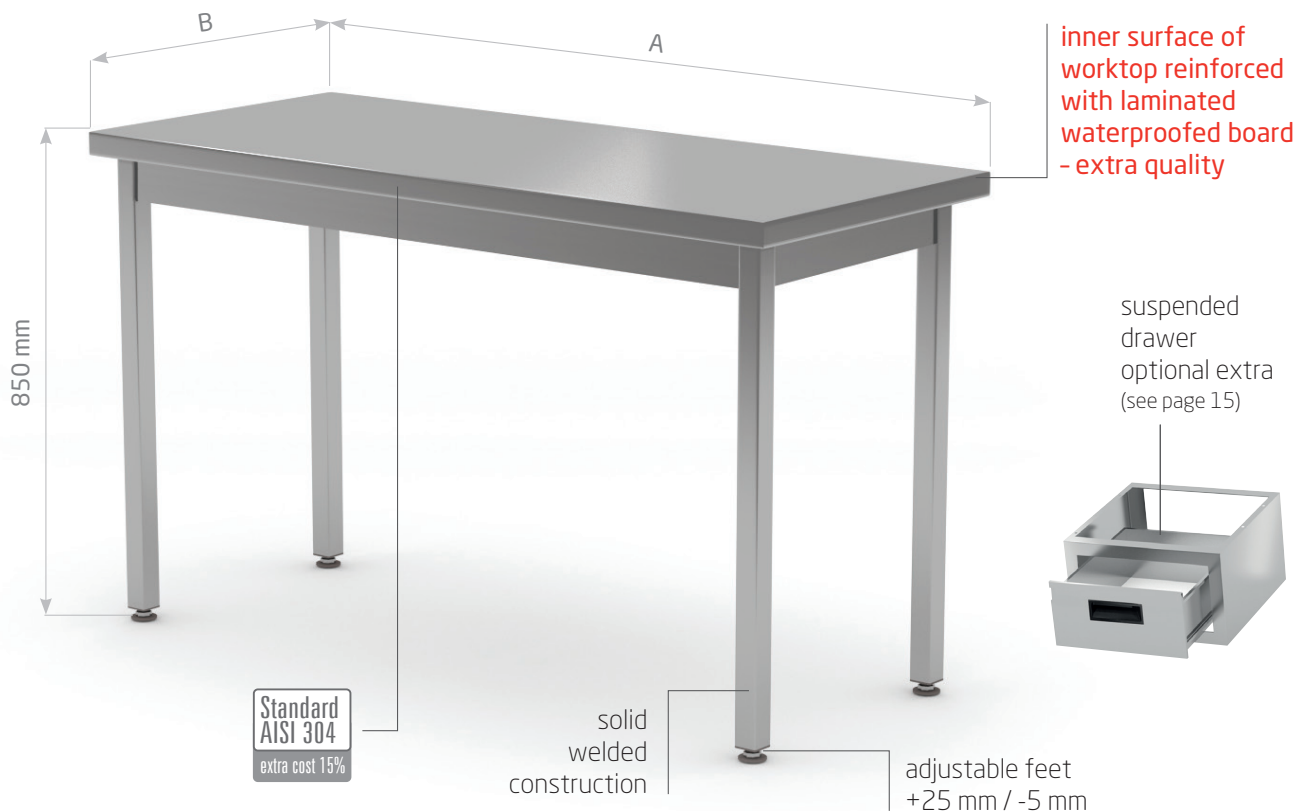
A mm	B = 600 mm			B = 700 mm		
	code	weight kg	price €	code	weight kg	price €
1000	104106	28	574,-	104107	31	607,-
1100	104116	30	602,-	104117	33	639,-
1200	104126	32	626,-	104127	35	665,-
1300	104136	34	653,-	104137	38	695,-
1400	104146	36	678,-	104147	40	723,-
1500	104156	38	706,-	104157	42	750,-
1600	104166	40	731,-	104167	44	782,-

# Corner work table with splashback and shelf



POL-105

A	a	B	b	code	weight kg	price €	A	a	B	b	code	weight kg	price €
900	600	900	600	1050909	38	855,-	1000	700	1000	700	1051010	45	855,-
900	600	1000	700	1050910	41	869,-	1000	700	900	600	1051009	41	869,-



## Centre work table without splashback or shelf



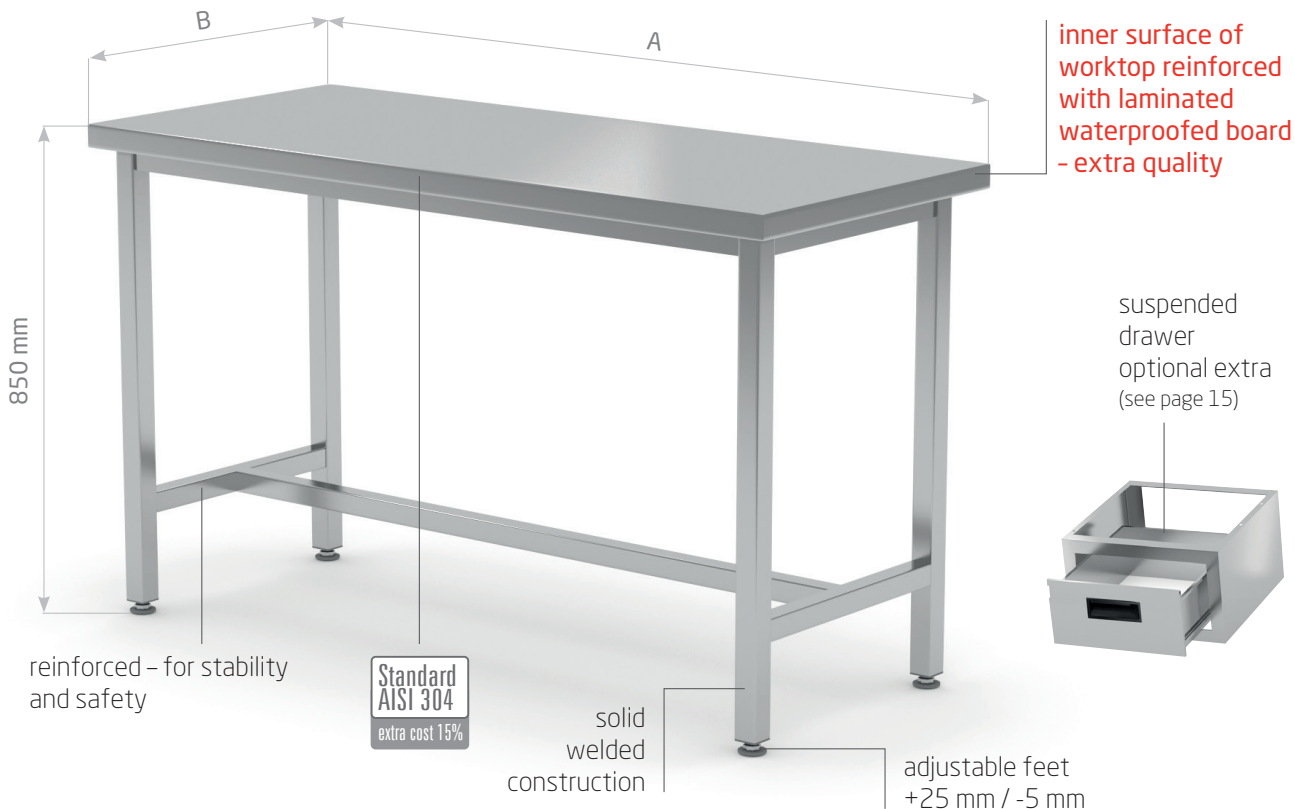
POL-110



POL-110-6

6 security legs

A mm	B = 700 mm			B = 800 mm			A mm	B = 700 mm			B = 800 mm		
	code	weight kg	price €	code	weight kg	price €		code	weight kg	price €	code	weight kg	price €
800	110087	19	360,-	110088	21	380,-	2000	110207-6	42	733,-	110208-6	46	782,-
900	110097	21	380,-	110098	22	401,-	2100	110217-6	44	755,-	110218-6	48	807,-
1000	110107	22	403,-	110108	24	425,-	2200	110227-6	45	779,-	110228-6	50	832,-
1100	110117	24	425,-	110118	26	450,-	2300	110237-6	47	801,-	110238-6	51	857,-
1200	110127	25	447,-	110128	28	475,-	2400	110247-6	48	825,-	110248-6	53	883,-
1300	110137	27	469,-	110138	30	497,-	2500	110257-6	50	849,-	110258-6	55	908,-
1400	110147	29	489,-	110148	32	517,-	2600	110267-6	52	873,-	110268-6	57	933,-
1500	110157	30	511,-	110158	33	542,-	2700	110277-6	53	897,-	110278-6	59	960,-
1600	110167	32	534,-	110168	35	567,-	2800	110287-6	55	919,-	110288-6	61	985,-
1700	110177	33	556,-	110178	37	590,-							
1800	110187	35	579,-	110188	39	618,-							
1900	110197	37	598,-	110198	41	644,-							



## Reinforced centre work table without splashback or shelf



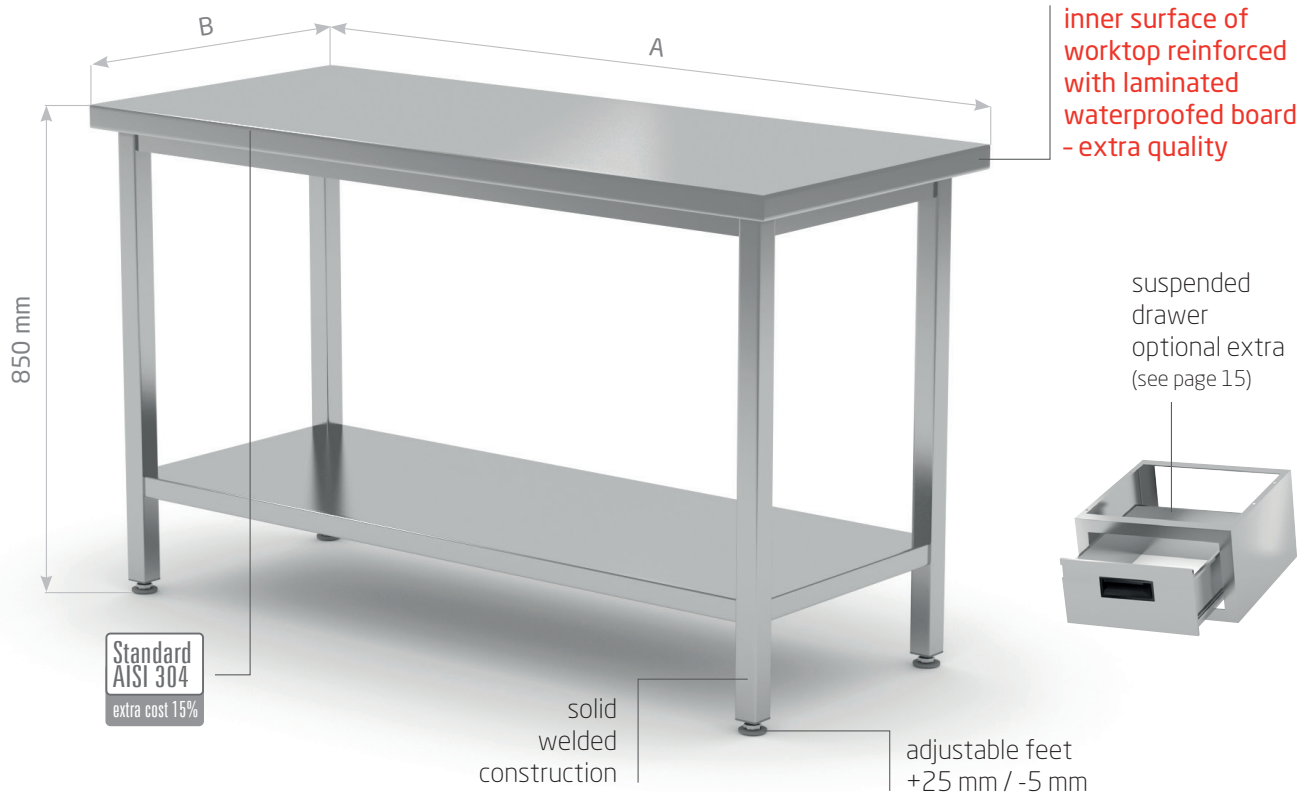
POL-111



POL-111-6

6 security legs

A mm	B = 700 mm			B = 800 mm			A mm	B = 700 mm			B = 800 mm		
	code	weight kg	price €	code	weight kg	price €		code	weight kg	price €	code	weight kg	price €
800	111087	20	380,-	111088	22	403,-	2000	111207-6	44	765,-	111208-6	49	813,-
900	111097	22	406,-	111098	24	425,-	2100	111217-6	46	790,-	111218-6	50	839,-
1000	111107	23	429,-	111108	26	454,-	2200	111227-6	47	813,-	111228-6	52	863,-
1100	111117	25	450,-	111118	28	475,-	2300	111237-6	49	836,-	111238-6	54	888,-
1200	111127	27	472,-	111128	29	497,-	2400	111247-6	51	862,-	111248-6	56	913,-
1300	111137	28	495,-	111138	31	525,-	2500	111257-6	53	884,-	111258-6	58	940,-
1400	111147	30	517,-	111148	33	548,-	2600	111267-6	54	909,-	111268-6	60	962,-
1500	111157	32	539,-	111158	35	573,-	2700	111277-6	56	932,-	111278-6	62	989,-
1600	111167	33	562,-	111168	37	597,-	2800	111287-6	58	955,-	111288-6	64	1 017,-
1700	111177	35	588,-	111178	39	623,-							
1800	111187	36	609,-	111188	40	649,-							
1900	111197	38	632,-	111198	42	674,-							



## Centre work table without splashback with undershelf



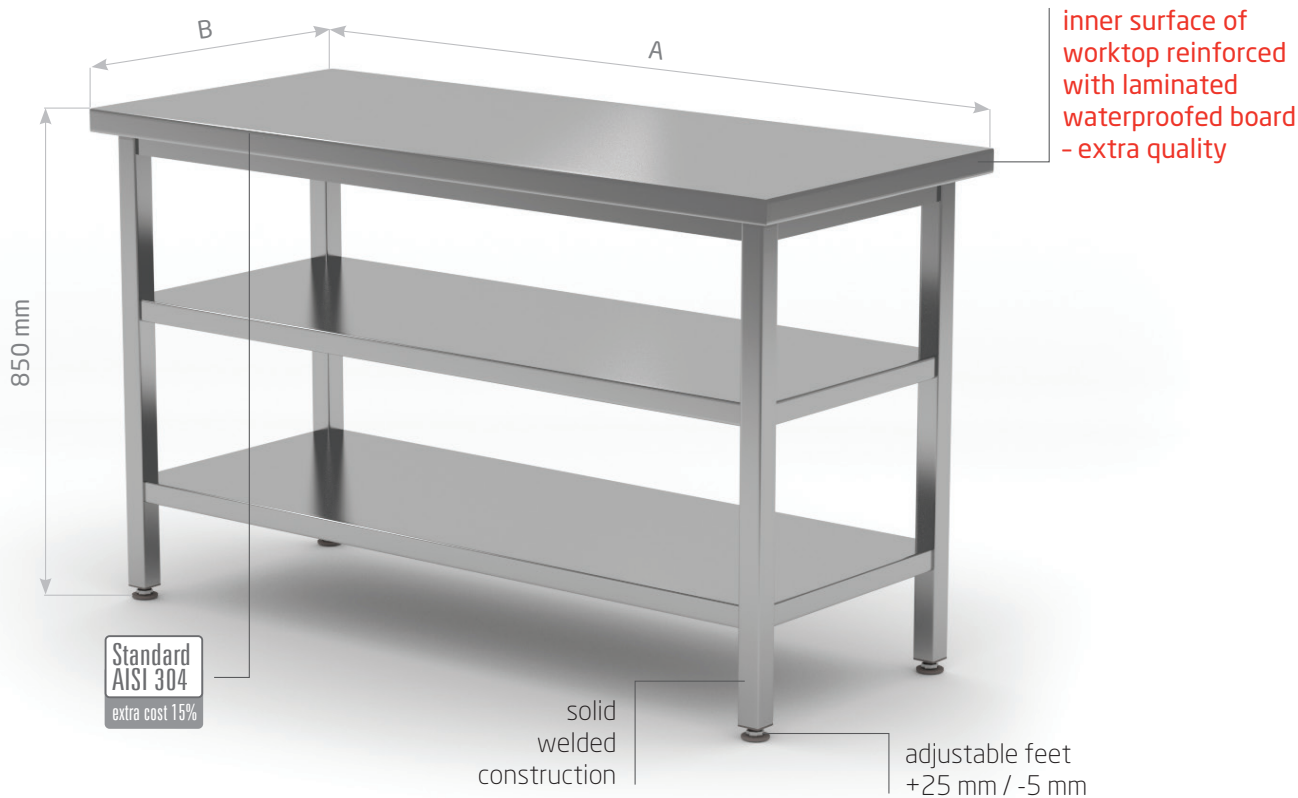
POL-112



6 security legs

POL-112-6

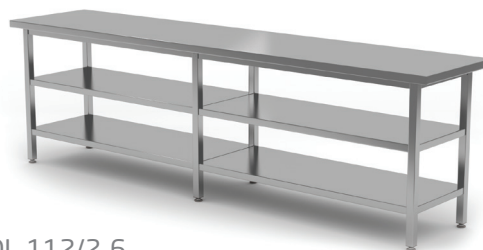
A mm	B = 700 mm			B = 800 mm			A mm	B = 700 mm			B = 800 mm		
	code	weight kg	price €	code	weight kg	price €		code	weight kg	price €	code	weight kg	price €
800	112087	24	425,-	112088	26	454,-	2000	112207-6	53	878,-	112208-6	58	936,-
900	112097	26	454,-	112098	28	481,-	2100	112217-6	55	906,-	112218-6	60	968,-
1000	112107	28	481,-	112108	31	514,-	2200	112227-6	57	934,-	112228-6	63	999,-
1100	112117	30	511,-	112118	33	548,-	2300	112237-6	59	964,-	112238-6	65	1 031,-
1200	112127	32	539,-	112128	36	579,-	2400	112247-6	61	992,-	112248-6	68	1 063,-
1300	112137	35	567,-	112138	38	609,-	2500	112257-6	63	1 020,-	112258-6	70	1 094,-
1400	112147	37	597,-	112148	41	640,-	2600	112267-6	66	1 048,-	112268-6	72	1 126,-
1500	112157	39	623,-	112158	43	671,-	2700	112277-6	68	1 077,-	112278-6	75	1 157,-
1600	112167	41	654,-	112168	46	705,-	2800	112287-6	70	1 105,-	112288-6	77	1 189,-
1700	112177	43	682,-	112178	48	733,-							
1800	112187	46	710,-	112188	50	764,-							
1900	112197	48	738,-	112198	53	793,-							



## Centre work table without splashback with two undershelves



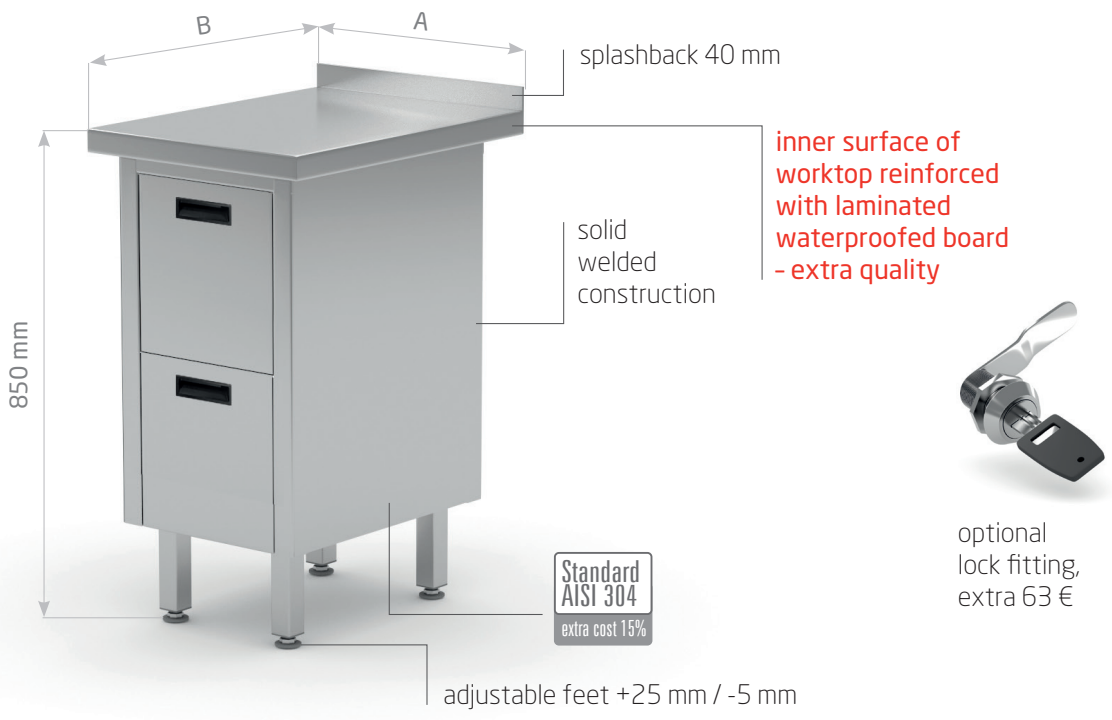
POL-112/2



6 security legs

POL-112/2-6

A mm	B = 700 mm			B = 800 mm			A mm	B = 700 mm			B = 800 mm		
	code	weight kg	price €	code	weight kg	price €		code	weight kg	price €	code	weight kg	price €
800	112087/2	28	510,-	112088/2	31	548,-	2000	112207/2-6	65	1 091,-	112208/2-6	72	1 171,-
900	112097/2	31	549,-	112098/2	34	588,-	2100	112217/2-6	68	1 132,-	112218/2-6	75	1 216,-
1000	112107/2	34	588,-	112108/2	37	633,-	2200	112227/2-6	70	1 171,-	112228/2-6	78	1 260,-
1100	112117/2	37	629,-	112118/2	40	678,-	2300	112237/2-6	73	1 212,-	112238/2-6	81	1 303,-
1200	112127/2	40	667,-	112128/2	44	720,-	2400	112247/2-6	76	1 253,-	112248/2-6	84	1 346,-
1300	112137/2	42	706,-	112138/2	47	762,-	2500	112257/2-6	79	1 292,-	112258/2-6	87	1 391,-
1400	112147/2	45	744,-	112148/2	50	804,-	2600	112267/2-6	82	1 332,-	112268/2-6	90	1 435,-
1500	112157/2	48	782,-	112158/2	53	843,-	2700	112277/2-6	85	1 373,-	112278/2-6	94	1 479,-
1600	112167/2	51	825,-	112168/2	56	892,-	2800	112287/2-6	87	1 414,-	112288/2-6	97	1 523,-
1700	112177/2	54	863,-	112178/2	59	934,-							
1800	112187/2	56	901,-	112188/2	63	974,-							
1900	112197/2	59	940,-	112198/2	66	1 016,-							



## Work table with splashback and drawers

### With two drawers

- drawer depth 250 mm



POL-121

### With three drawers

- drawer depth 150 mm



POL-121-3

A mm	B = 600 mm			B = 700 mm			B = 600 mm			B = 700 mm		
	code	weight kg	price €	code	weight kg	price €	code	weight kg	price €	code	weight kg	price €
430	121046	32	694,-	121047	35	733,-	121046-3	34	867,-	121047-3	37	918,-

### With four drawers

- drawer depth 250 mm



POL-121-4

### With six drawers

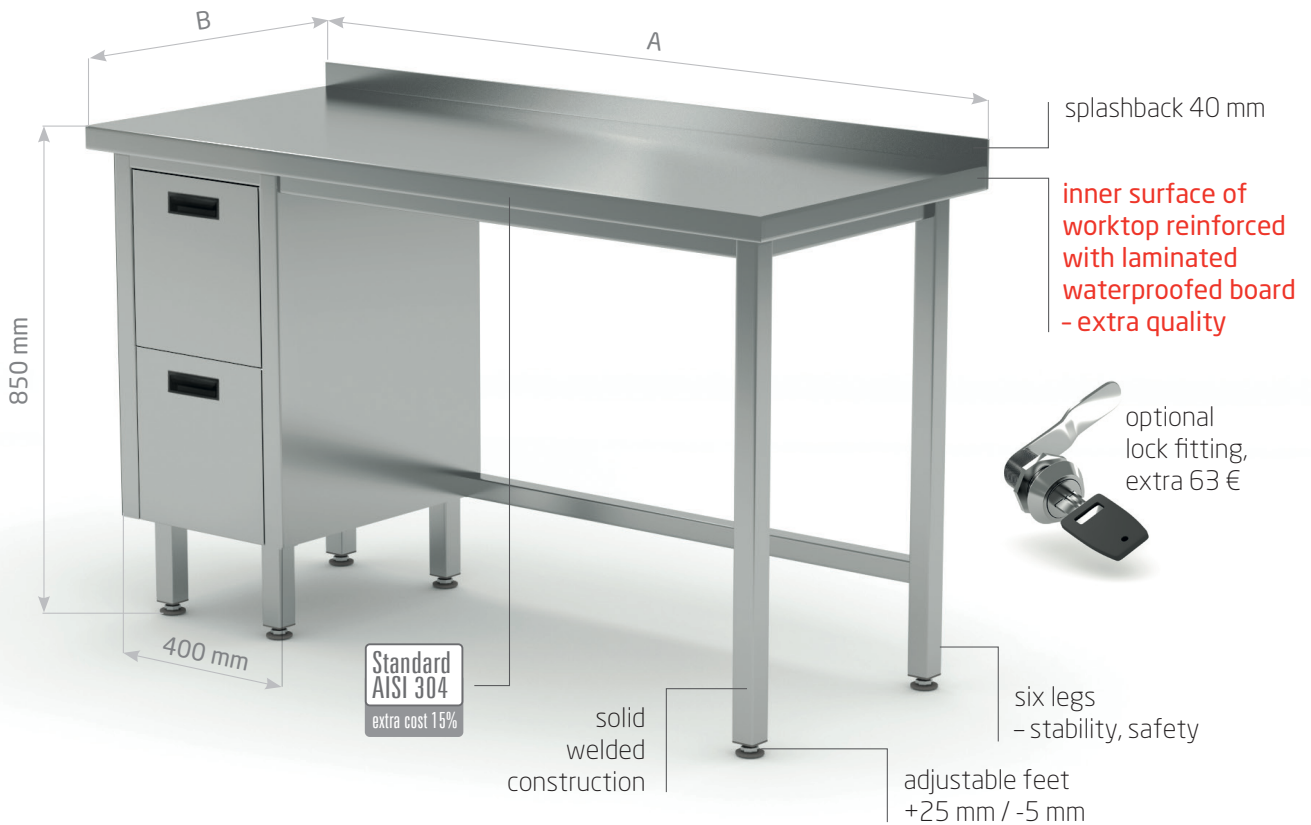
- drawer depth 150 mm



POL-121-6

A mm	B = 600 mm			B = 700 mm			B = 600 mm			B = 700 mm		
	code	weight kg	price €	code	weight kg	price €	code	weight kg	price €	code	weight kg	price €
830	121086-4	63	1 168,-	121087-4	68	1 241,-	121086-6	67	1 515,-	121087-6	72	1 611,-





6 security legs

## Work table with splashback, cabinet with two drawers

### Drawers on left side

- drawer depth 250 mm



POL-123-L

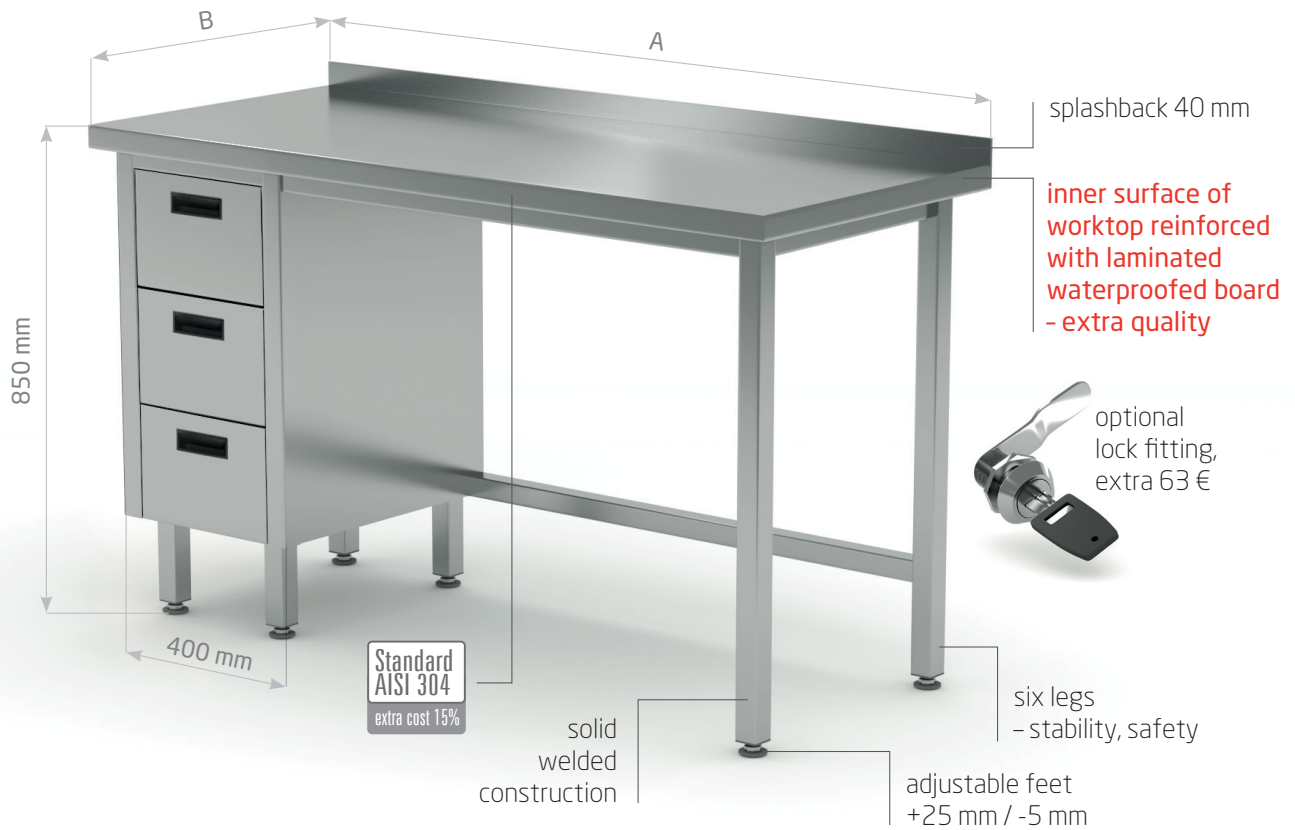
### Drawers on right side

- drawer depth 250 mm



POL-123-P

A mm	B = 600 mm			B = 700 mm			B = 600 mm			B = 700 mm		
	code	weight kg	price €	code	weight kg	price €	code	weight kg	price €	code	weight kg	price €
800	123086-L	45	862,-	123087-L	49	918,-	123086-P	45	862,-	123087-P	49	918,-
900	123096-L	46	884,-	123097-L	51	946,-	123096-P	46	884,-	123097-P	51	946,-
1000	123106-L	48	909,-	123107-L	53	970,-	123106-P	48	909,-	123107-P	53	970,-
1100	123116-L	50	929,-	123117-L	55	992,-	123116-P	50	929,-	123117-P	55	992,-
1200	123126-L	51	953,-	123127-L	57	1 017,-	123126-P	51	953,-	123127-P	57	1 017,-
1300	123136-L	53	977,-	123137-L	60	1 044,-	123136-P	53	977,-	123137-P	60	1 044,-
1400	123146-L	55	1 002,-	123147-L	62	1 069,-	123146-P	55	1 002,-	123147-P	62	1 069,-
1500	123156-L	57	1 021,-	123157-L	64	1 093,-	123156-P	57	1 021,-	123157-P	64	1 093,-
1600	123166-L	59	1 047,-	123167-L	66	1 115,-	123166-P	59	1 047,-	123167-P	66	1 115,-
1700	123176-L	61	1 069,-	123177-L	69	1 143,-	123176-P	61	1 069,-	123177-P	69	1 143,-
1800	123186-L	63	1 093,-	123187-L	71	1 168,-	123186-P	63	1 093,-	123187-P	71	1 168,-
1900	123196-L	64	1 112,-	123197-L	73	1 194,-	123196-P	64	1 112,-	123197-P	73	1 194,-



## Work table with splashback, cabinet with three drawers

### Drawers on left side

- drawer depth 150 mm



POL-123-3-L

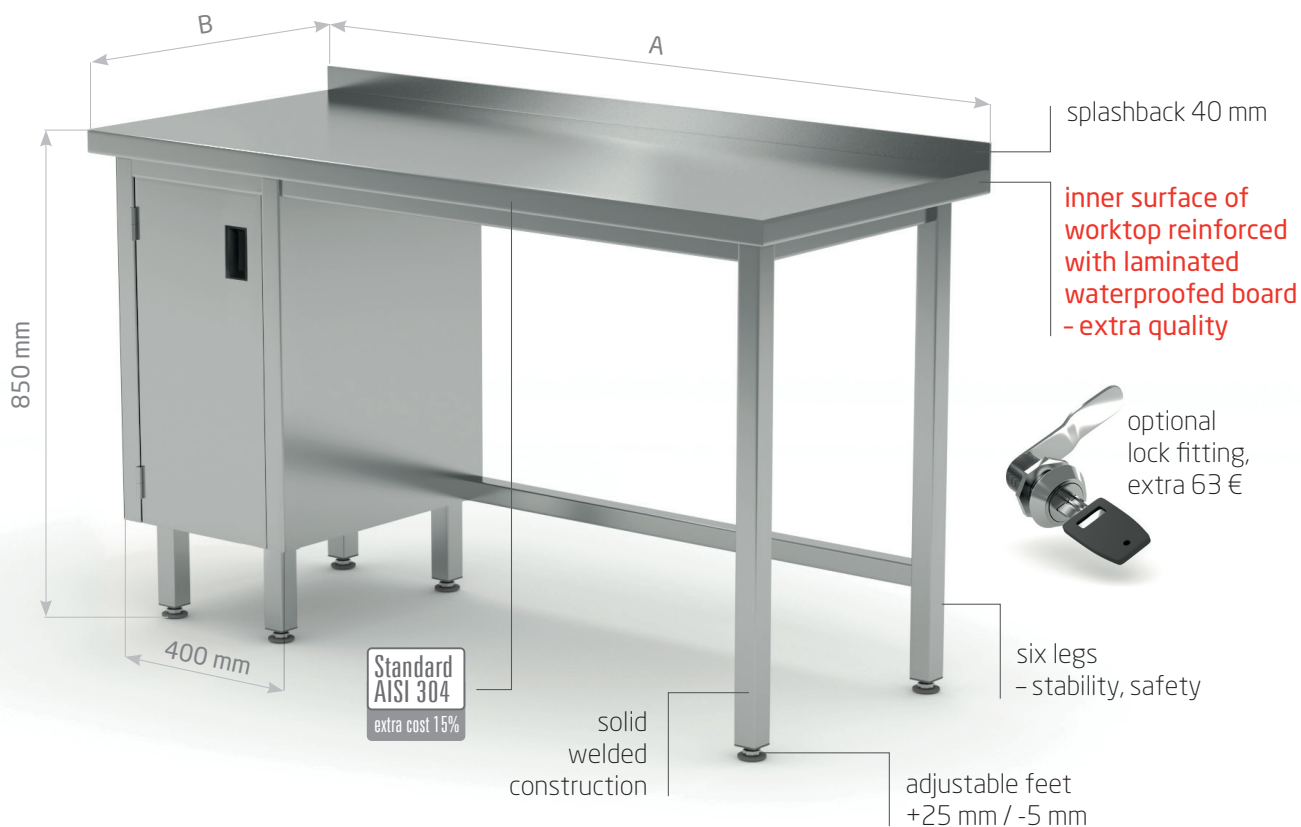
### Drawers on right side

- drawer depth 150 mm



POL-123-3-P

A mm	B = 600 mm			B = 700 mm			B = 600 mm			B = 700 mm		
	code	weight kg	price €	code	weight kg	price €	code	weight kg	price €	code	weight kg	price €
800	123086-3-L	47	1 035,-	123087-3-L	51	1 101,-	123086-3-P	47	1 035,-	123087-3-P	51	1 101,-
900	123096-3-L	48	1 056,-	123097-3-L	53	1 129,-	123096-3-P	48	1 056,-	123097-3-P	53	1 129,-
1000	123106-3-L	50	1 082,-	123107-3-L	55	1 154,-	123106-3-P	50	1 082,-	123107-3-P	55	1 154,-
1100	123116-3-L	52	1 101,-	123117-3-L	57	1 177,-	123116-3-P	52	1 101,-	123117-3-P	57	1 177,-
1200	123126-3-L	53	1 126,-	123127-3-L	59	1 202,-	123126-3-P	53	1 126,-	123127-3-P	59	1 202,-
1300	123136-3-L	55	1 149,-	123137-3-L	62	1 227,-	123136-3-P	55	1 149,-	123137-3-P	62	1 227,-
1400	123146-3-L	57	1 174,-	123147-3-L	64	1 253,-	123146-3-P	57	1 174,-	123147-3-P	64	1 253,-
1500	123156-3-L	59	1 194,-	123157-3-L	66	1 278,-	123156-3-P	59	1 194,-	123157-3-P	66	1 278,-
1600	123166-3-L	61	1 219,-	123167-3-L	68	1 300,-	123166-3-P	61	1 219,-	123167-3-P	68	1 300,-
1700	123176-3-L	63	1 241,-	123177-3-L	71	1 328,-	123176-3-P	63	1 241,-	123177-3-P	71	1 328,-
1800	123186-3-L	65	1 267,-	123187-3-L	73	1 353,-	123186-3-P	65	1 267,-	123187-3-P	73	1 353,-
1900	123196-3-L	66	1 286,-	123197-3-L	75	1 379,-	123196-3-P	66	1 286,-	123197-3-P	75	1 379,-



## Work table with splashback, cabinet with hinged door



### Cabinet on left side

- internal shelf easily removable



POL-124-L

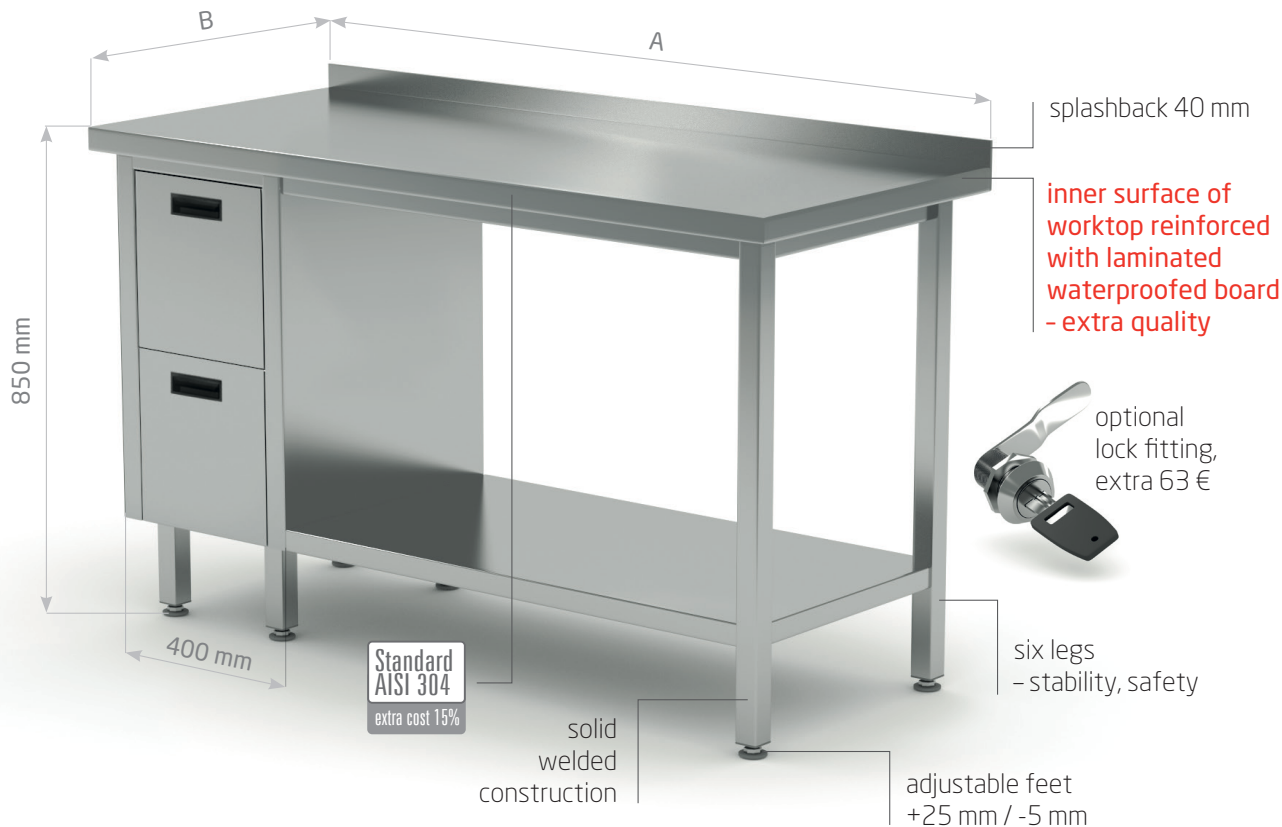
### Cabinet on right side

- internal shelf easily removable



POL-124-P

A mm	B = 600 mm			B = 700 mm			B = 600 mm			B = 700 mm		
	code	weight kg	price €	code	weight kg	price €	code	weight kg	price €	code	weight kg	price €
800	124086-L	40	755,-	124087-L	41	793,-	124086-P	40	755,-	124087-P	41	793,-
900	124096-L	41	778,-	124097-L	43	822,-	124096-P	41	778,-	124097-P	43	822,-
1000	124106-L	42	803,-	124107-L	45	846,-	124106-P	42	803,-	124107-P	45	846,-
1100	124116-L	44	822,-	124117-L	47	869,-	124116-P	44	822,-	124117-P	47	869,-
1200	124126-L	46	846,-	124127-L	50	894,-	124126-P	46	846,-	124127-P	50	894,-
1300	124136-L	47	869,-	124137-L	52	920,-	124136-P	47	869,-	124137-P	52	920,-
1400	124146-L	49	894,-	124147-L	54	946,-	124146-P	49	894,-	124147-P	54	946,-
1500	124156-L	51	913,-	124157-L	56	970,-	124156-P	51	913,-	124157-P	56	970,-
1600	124166-L	53	940,-	124167-L	59	992,-	124166-P	53	940,-	124167-P	59	992,-
1700	124176-L	55	962,-	124177-L	61	1 021,-	124176-P	55	962,-	124177-P	61	1 021,-
1800	124186-L	57	988,-	124187-L	63	1 047,-	124186-P	57	988,-	124187-P	63	1 047,-
1900	124196-L	59	1 006,-	124197-L	65	1 070,-	124196-P	59	1 006,-	124197-P	65	1 070,-



## Work table with splashback, cabinet with two drawers and undershelf

6 security legs

### Drawers on left side

- drawer depth 250 mm



POL-125-L

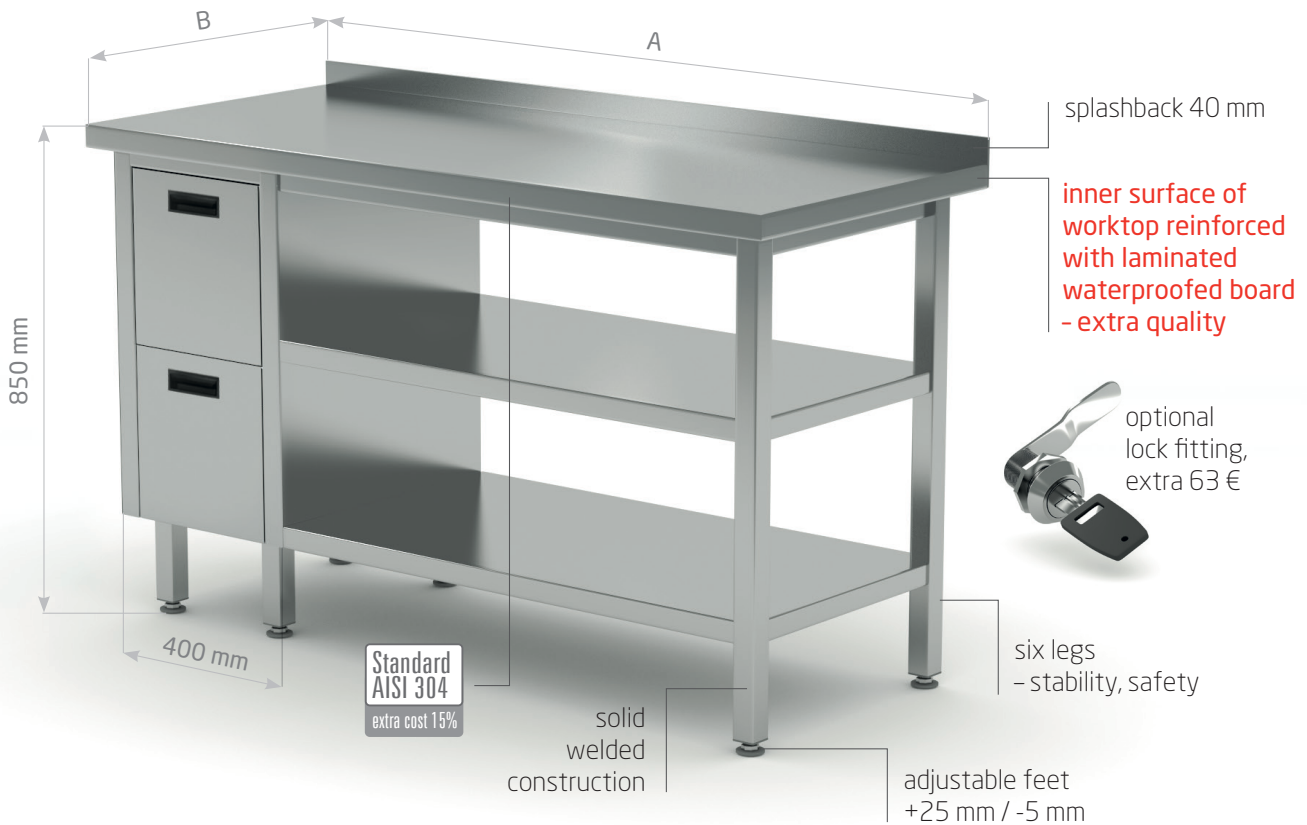
### Drawers on right side

- drawer depth 250 mm



POL-125-P

A mm	B = 600 mm			B = 700 mm			B = 600 mm			B = 700 mm		
	code	weight kg	price €	code	weight kg	price €	code	weight kg	price €	code	weight kg	price €
800	125086-L	50	904,-	125087-L	55	968,-	125086-P	50	904,-	125087-P	55	968,-
900	125096-L	51	929,-	125097-L	56	998,-	125096-P	51	929,-	125097-P	56	998,-
1000	125106-L	52	955,-	125107-L	57	1 030,-	125106-P	52	955,-	125107-P	57	1 030,-
1100	125116-L	53	988,-	125117-L	59	1 062,-	125116-P	53	988,-	125117-P	59	1 062,-
1200	125126-L	55	1 014,-	125127-L	61	1 093,-	125126-P	55	1 014,-	125127-P	61	1 093,-
1300	125136-L	56	1 044,-	125137-L	63	1 124,-	125136-P	56	1 044,-	125137-P	63	1 124,-
1400	125146-L	58	1 070,-	125147-L	65	1 154,-	125146-P	58	1 070,-	125147-P	65	1 154,-
1500	125156-L	60	1 101,-	125157-L	67	1 185,-	125156-P	60	1 101,-	125157-P	67	1 185,-
1600	125166-L	61	1 129,-	125167-L	69	1 219,-	125166-P	61	1 129,-	125167-P	69	1 219,-
1700	125176-L	63	1 157,-	125177-L	71	1 250,-	125176-P	63	1 157,-	125177-P	71	1 250,-
1800	125186-L	65	1 188,-	125187-L	73	1 281,-	125186-P	65	1 188,-	125187-P	73	1 281,-
1900	125196-L	66	1 216,-	125197-L	75	1 311,-	125196-P	66	1 216,-	125197-P	75	1 311,-



## Work table with splashback, cabinet with two drawers and two undershelves

6 security legs

### Drawers on left side

- drawer depth 250 mm



POL-125-L/2

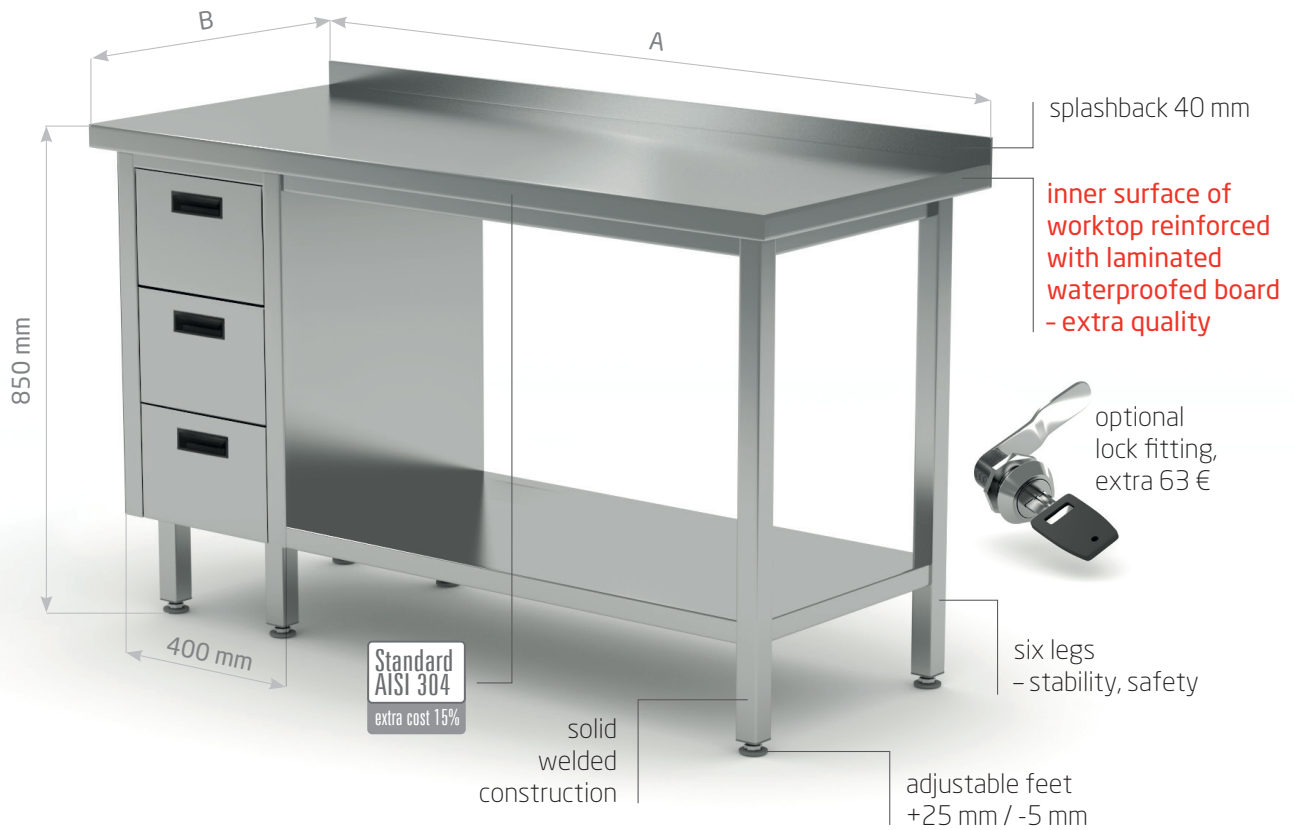
### Drawers on right side

- drawer depth 250 mm



POL-125-P/2

A mm	B = 600 mm			B = 700 mm			B = 600 mm			B = 700 mm		
	code	weight kg	price €	code	weight kg	price €	code	weight kg	price €	code	weight kg	price €
800	125086-L/2	51	1 098,-	125087-L/2	56	1 180,-	125086-P/2	51	1 098,-	125087-P/2	56	1 180,-
900	125096-L/2	52	1 140,-	125097-L/2	57	1 224,-	125096-P/2	52	1 140,-	125097-P/2	57	1 224,-
1000	125106-L/2	53	1 185,-	125107-L/2	58	1 272,-	125106-P/2	53	1 185,-	125107-P/2	58	1 272,-
1100	125116-L/2	54	1 224,-	125117-L/2	60	1 323,-	125116-P/2	54	1 224,-	125117-P/2	60	1 323,-
1200	125126-L/2	56	1 267,-	125127-L/2	62	1 367,-	125126-P/2	56	1 267,-	125127-P/2	62	1 367,-
1300	125136-L/2	57	1 311,-	125137-L/2	64	1 415,-	125136-P/2	57	1 311,-	125137-P/2	64	1 415,-
1400	125146-L/2	59	1 351,-	125147-L/2	66	1 460,-	125146-P/2	59	1 351,-	125147-P/2	66	1 460,-
1500	125156-L/2	61	1 393,-	125157-L/2	68	1 509,-	125156-P/2	61	1 393,-	125157-P/2	68	1 509,-
1600	125166-L/2	62	1 437,-	125167-L/2	70	1 554,-	125166-P/2	62	1 437,-	125167-P/2	70	1 554,-
1700	125176-L/2	64	1 478,-	125177-L/2	72	1 603,-	125176-P/2	64	1 478,-	125177-P/2	72	1 603,-
1800	125186-L/2	66	1 519,-	125187-L/2	74	1 646,-	125186-P/2	66	1 519,-	125187-P/2	74	1 646,-
1900	125196-L/2	67	1 562,-	125197-L/2	76	1 694,-	125196-P/2	67	1 562,-	125197-P/2	76	1 694,-



# Work table with splashback, cabinet with three drawers and undershelf



## Drawers on left side

- drawer depth 150 mm



POL-125-3-L

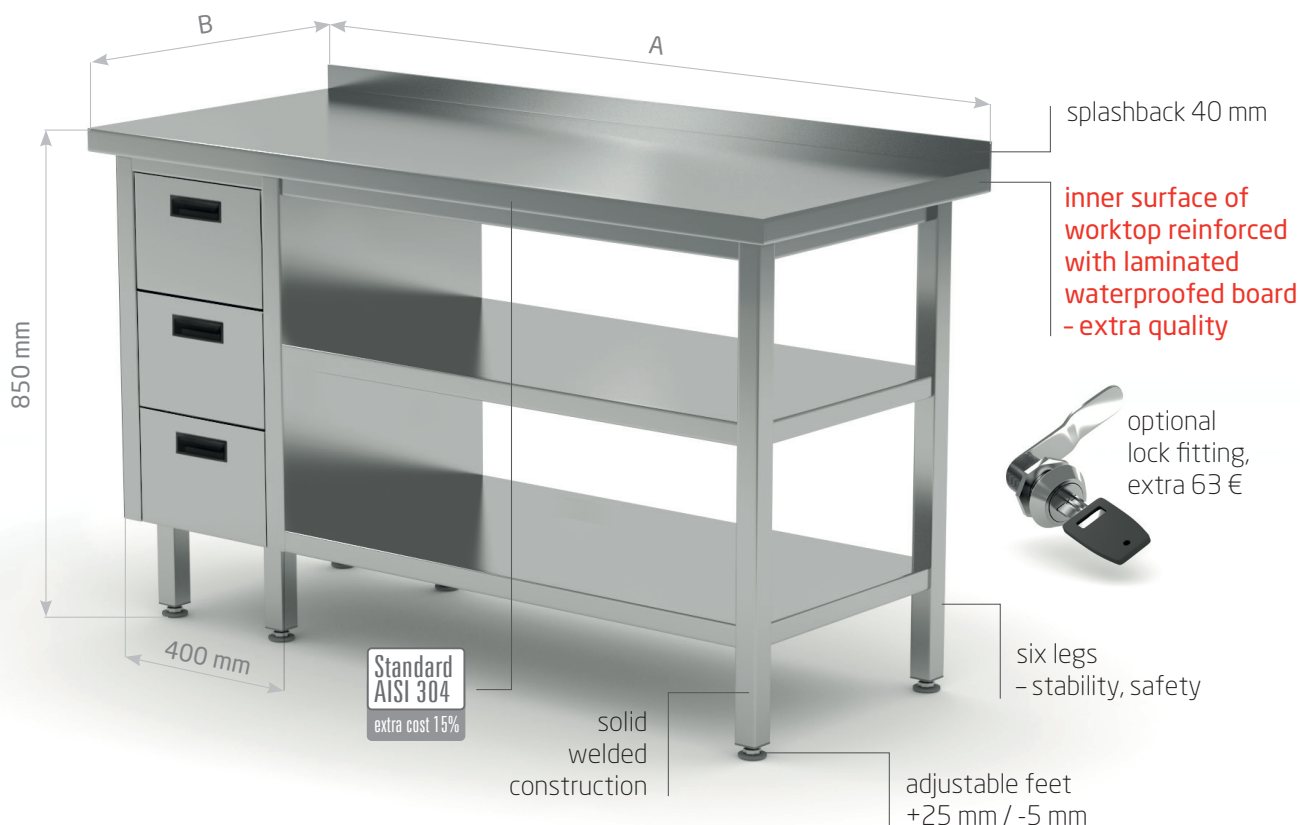
## Drawers on right side

- drawer depth 150 mm



POL-125-3-P

A mm	B = 600 mm			B = 700 mm			B = 600 mm			B = 700 mm		
	code	weight kg	price €	code	weight kg	price €	code	weight kg	price €	code	weight kg	price €
800	125086-3-L	52	1 076,-	125087-3-L	57	1 152,-	125086-3-P	52	1 076,-	125087-3-P	57	1 152,-
900	125096-3-L	53	1 101,-	125097-3-L	58	1 182,-	125096-3-P	53	1 101,-	125097-3-P	58	1 182,-
1000	125106-3-L	54	1 129,-	125107-3-L	59	1 213,-	125106-3-P	54	1 129,-	125107-3-P	59	1 213,-
1100	125116-3-L	55	1 160,-	125117-3-L	61	1 247,-	125116-3-P	55	1 160,-	125117-3-P	61	1 247,-
1200	125126-3-L	57	1 188,-	125127-3-L	63	1 278,-	125126-3-P	57	1 188,-	125127-3-P	63	1 278,-
1300	125136-3-L	58	1 216,-	125137-3-L	65	1 309,-	125136-3-P	58	1 216,-	125137-3-P	65	1 309,-
1400	125146-3-L	60	1 244,-	125147-3-L	67	1 339,-	125146-3-P	60	1 244,-	125147-3-P	67	1 339,-
1500	125156-3-L	62	1 275,-	125157-3-L	69	1 370,-	125156-3-P	62	1 275,-	125157-3-P	69	1 370,-
1600	125166-3-L	63	1 303,-	125167-3-L	71	1 404,-	125166-3-P	63	1 303,-	125167-3-P	71	1 404,-
1700	125176-3-L	65	1 331,-	125177-3-L	73	1 435,-	125176-3-P	65	1 331,-	125177-3-P	73	1 435,-
1800	125186-3-L	67	1 362,-	125187-3-L	75	1 464,-	125186-3-P	67	1 362,-	125187-3-P	75	1 464,-
1900	125196-3-L	69	1 388,-	125197-3-L	77	1 495,-	125196-3-P	69	1 388,-	125197-3-P	77	1 495,-



# Work table with splashback, cabinet with three drawers and two undershelves



## Drawers on left side

- drawer depth 150 mm



POL-125-3-L/2

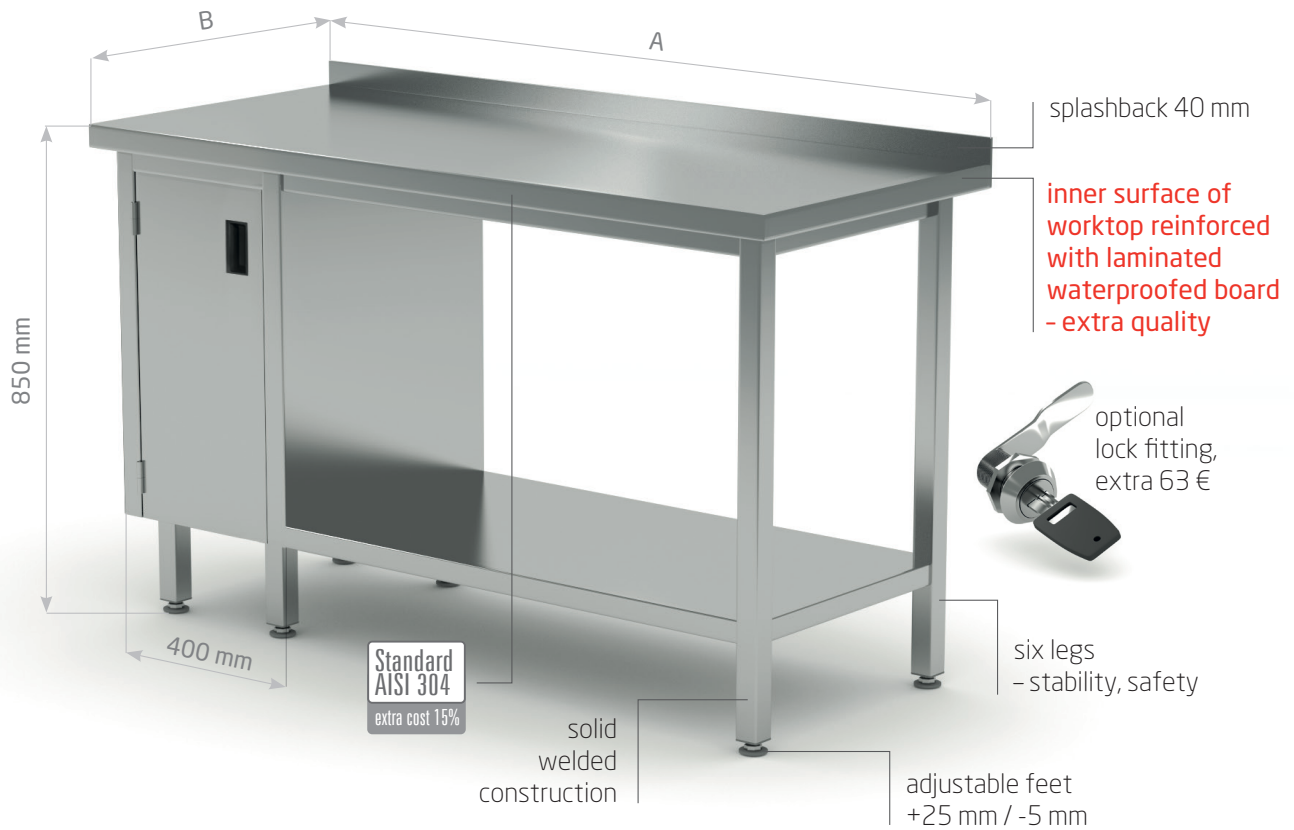
## Drawers on right side

- drawer depth 150 mm



POL-125-3-P/2

A mm	B = 600 mm			B = 700 mm			B = 600 mm			B = 700 mm		
	code	weight kg	price €	code	weight kg	price €	code	weight kg	price €	code	weight kg	price €
800	125086-3-L/2	54	1 272,-	125087-3-L/2	59	1 365,-	125086-3-P/2	54	1 272,-	125087-3-P/2	59	1 365,-
900	125096-3-L/2	55	1 314,-	125097-3-L/2	60	1 408,-	125096-3-P/2	55	1 314,-	125097-3-P/2	60	1 408,-
1000	125106-3-L/2	56	1 359,-	125107-3-L/2	61	1 456,-	125106-3-P/2	56	1 359,-	125107-3-P/2	61	1 456,-
1100	125116-3-L/2	57	1 398,-	125117-3-L/2	63	1 506,-	125116-3-P/2	57	1 398,-	125117-3-P/2	63	1 506,-
1200	125126-3-L/2	59	1 439,-	125127-3-L/2	65	1 551,-	125126-3-P/2	59	1 439,-	125127-3-P/2	65	1 551,-
1300	125136-3-L/2	60	1 485,-	125137-3-L/2	67	1 599,-	125136-3-P/2	60	1 485,-	125137-3-P/2	67	1 599,-
1400	125146-3-L/2	62	1 523,-	125147-3-L/2	69	1 645,-	125146-3-P/2	62	1 523,-	125147-3-P/2	69	1 645,-
1500	125156-3-L/2	64	1 565,-	125157-3-L/2	71	1 694,-	125156-3-P/2	64	1 565,-	125157-3-P/2	71	1 694,-
1600	125166-3-L/2	65	1 611,-	125167-3-L/2	73	1 739,-	125166-3-P/2	65	1 611,-	125167-3-P/2	73	1 739,-
1700	125176-3-L/2	67	1 652,-	125177-3-L/2	75	1 786,-	125176-3-P/2	67	1 652,-	125177-3-P/2	75	1 786,-
1800	125186-3-L/2	69	1 691,-	125187-3-L/2	77	1 831,-	125186-3-P/2	69	1 691,-	125187-3-P/2	77	1 831,-
1900	125196-3-L/2	71	1 736,-	125197-3-L/2	79	1 877,-	125196-3-P/2	71	1 736,-	125197-3-P/2	79	1 877,-



# Work table with splashback, cabinet with hinged door and undershelf

magnetix 6 security legs

## Cabinet on left side

- internal shelf easily removable



POL-126-L

## Cabinet on right side

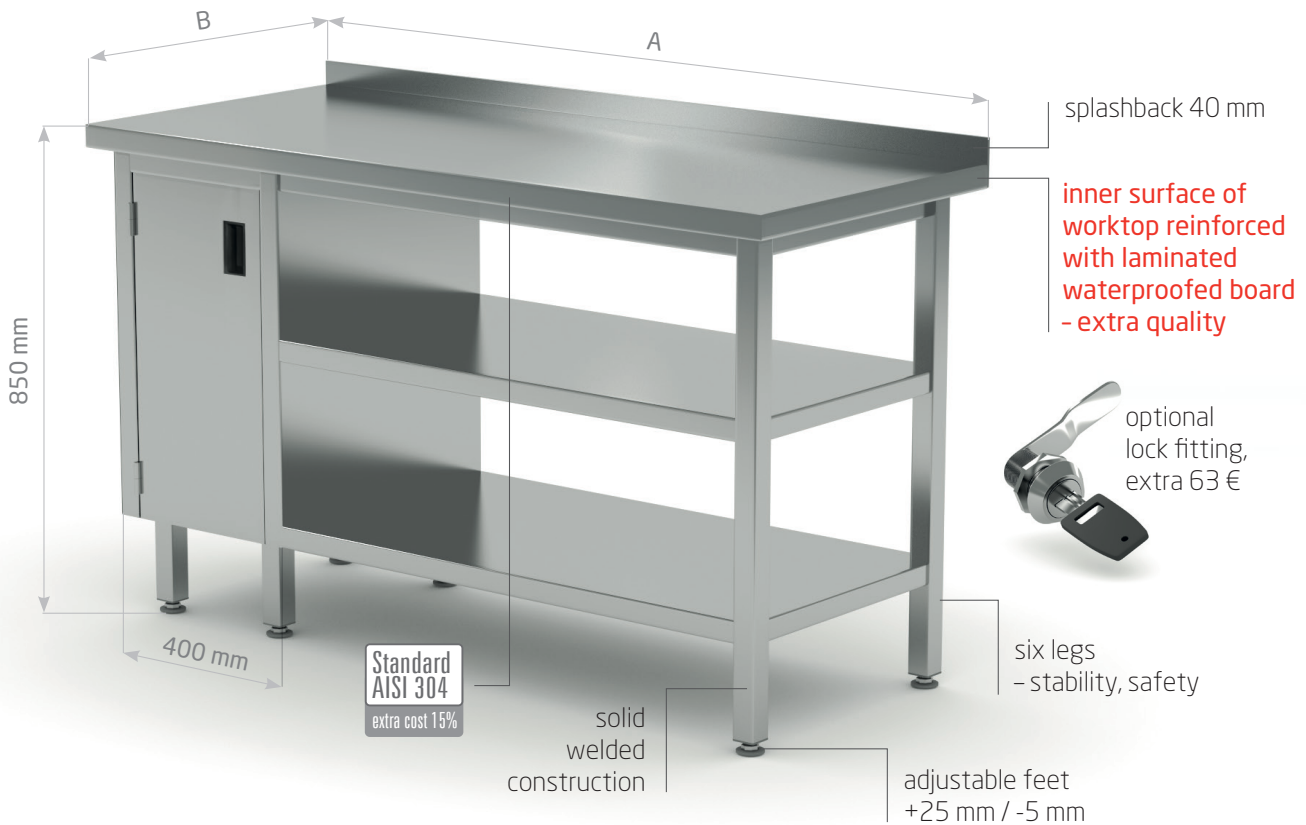
- internal shelf easily removable



POL-126-P

A mm	B = 600 mm			B = 700 mm			B = 600 mm			B = 700 mm		
	code	weight kg	price €	code	weight kg	price €	code	weight kg	price €	code	weight kg	price €
800	126086-L	44	797,-	126087-L	48	845,-	126086-P	44	797,-	126087-P	48	845,-
900	126096-L	46	822,-	126097-L	50	876,-	126096-P	46	822,-	126097-P	50	876,-
1000	126106-L	48	850,-	126107-L	52	905,-	126106-P	48	850,-	126107-P	52	905,-
1100	126116-L	50	881,-	126117-L	54	940,-	126116-P	50	881,-	126117-P	54	940,-
1200	126126-L	51	909,-	126127-L	56	970,-	126126-P	51	909,-	126127-P	56	970,-
1300	126136-L	53	936,-	126137-L	58	1 002,-	126136-P	53	936,-	126137-P	58	1 002,-
1400	126146-L	55	965,-	126147-L	60	1 031,-	126146-P	55	965,-	126147-P	60	1 031,-
1500	126156-L	56	996,-	126157-L	62	1 062,-	126156-P	56	996,-	126157-P	62	1 062,-
1600	126166-L	58	1 023,-	126167-L	64	1 096,-	126166-P	58	1 023,-	126167-P	64	1 096,-
1700	126176-L	60	1 052,-	126177-L	66	1 126,-	126176-P	60	1 052,-	126177-P	66	1 126,-
1800	126186-L	61	1 082,-	126187-L	68	1 157,-	126186-P	61	1 082,-	126187-P	68	1 157,-
1900	126196-L	63	1 110,-	126197-L	70	1 188,-	126196-P	63	1 110,-	126197-P	70	1 188,-





# Work table with splashback, cabinet with hinged door and two undershelves

magnetix 6 security legs

## Cabinet on left side

- internal shelf easily removable



POL-126-L/2

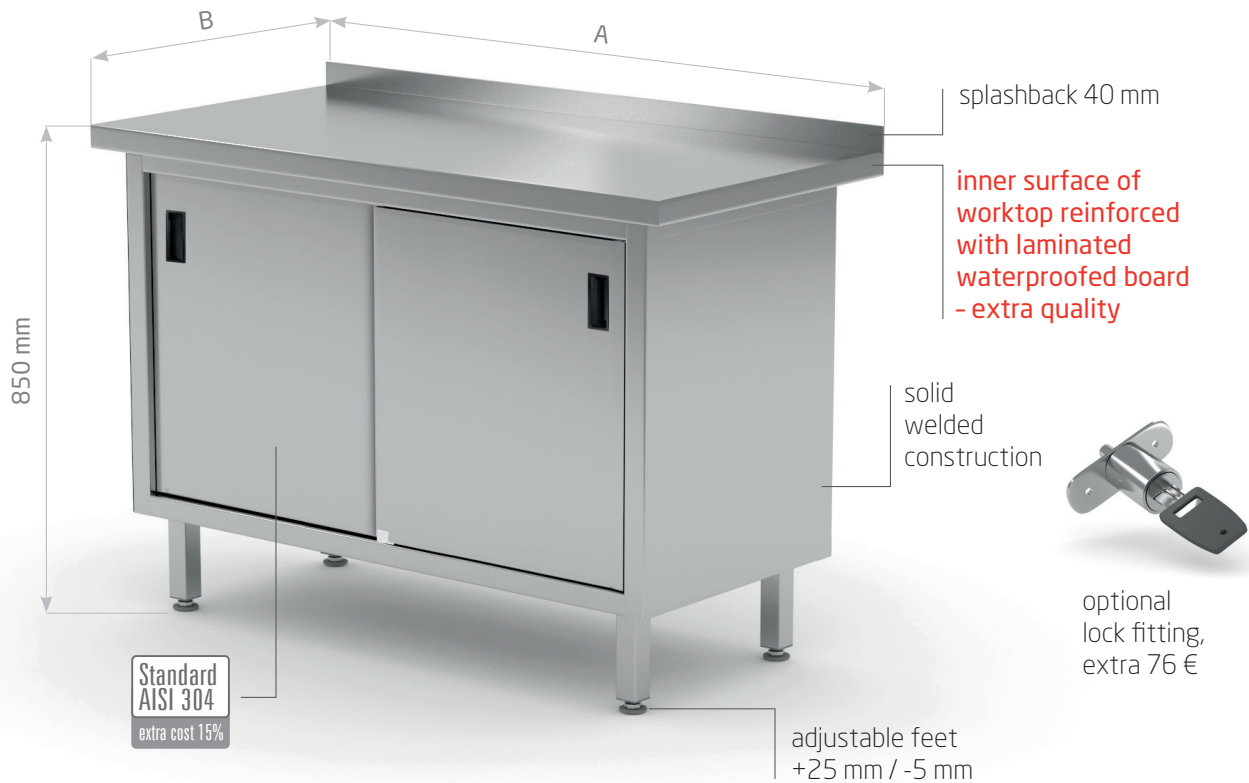
## Cabinet on right side

- internal shelf easily removable



POL-126-P/2

A mm	B = 600 mm			B = 700 mm			B = 600 mm			B = 700 mm		
	code	weight kg	price €	code	weight kg	price €	code	weight kg	price €	code	weight kg	price €
800	126086-L/2	46	992,-	126087-L/2	50	1 056,-	126086-P/2	46	992,-	126087-P/2	50	1 056,-
900	126096-L/2	48	1 035,-	126097-L/2	52	1 101,-	126096-P/2	48	1 035,-	126097-P/2	52	1 101,-
1000	126106-L/2	50	1 079,-	126107-L/2	54	1 149,-	126106-P/2	50	1 079,-	126107-P/2	54	1 149,-
1100	126116-L/2	52	1 118,-	126117-L/2	56	1 199,-	126116-P/2	52	1 118,-	126117-P/2	56	1 199,-
1200	126126-L/2	53	1 160,-	126127-L/2	58	1 244,-	126126-P/2	53	1 160,-	126127-P/2	58	1 244,-
1300	126136-L/2	55	1 205,-	126137-L/2	60	1 292,-	126136-P/2	55	1 205,-	126137-P/2	60	1 292,-
1400	126146-L/2	57	1 244,-	126147-L/2	62	1 337,-	126146-P/2	57	1 244,-	126147-P/2	62	1 337,-
1500	126156-L/2	58	1 286,-	126157-L/2	64	1 387,-	126156-P/2	58	1 286,-	126157-P/2	64	1 387,-
1600	126166-L/2	60	1 331,-	126167-L/2	66	1 430,-	126166-P/2	60	1 331,-	126167-P/2	66	1 430,-
1700	126176-L/2	62	1 373,-	126177-L/2	68	1 478,-	126176-P/2	62	1 373,-	126177-P/2	68	1 478,-
1800	126186-L/2	63	1 412,-	126187-L/2	70	1 523,-	126186-P/2	63	1 412,-	126187-P/2	70	1 523,-
1900	126196-L/2	65	1 456,-	126197-L/2	72	1 571,-	126196-P/2	65	1 456,-	126197-P/2	72	1 571,-



## Work table, cabinet with sliding doors

### Work table with splashback

- internal shelf easily removable



POL-127

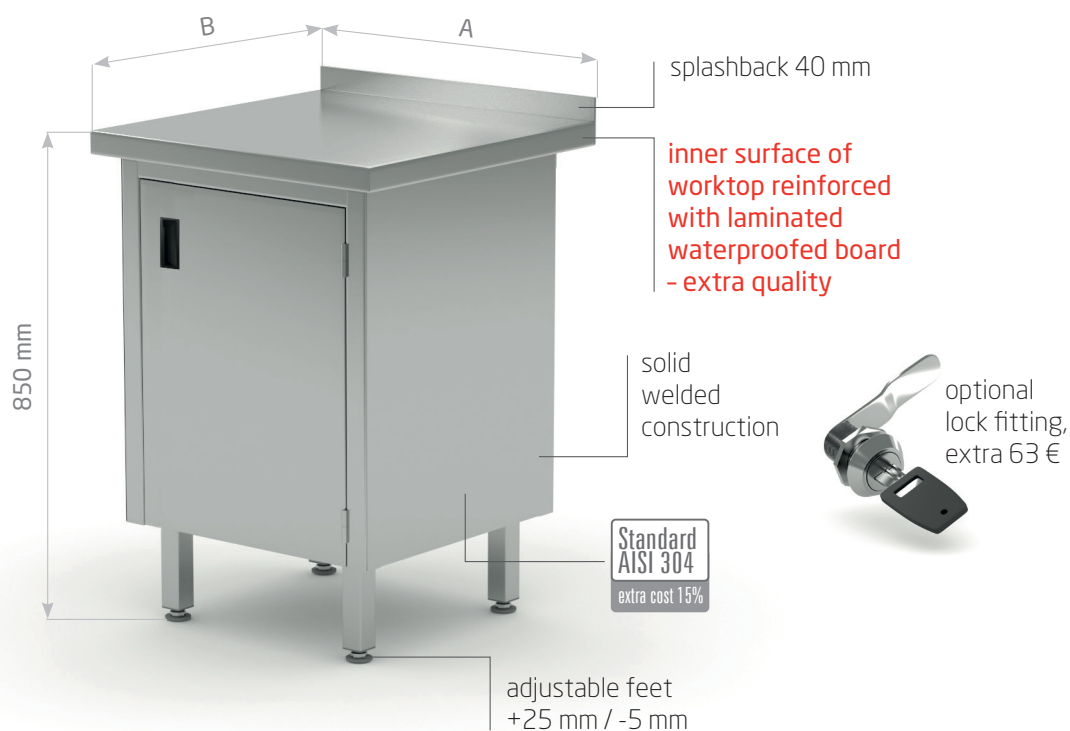
### Double-sided centre work table without splashback

- internal shelf easily removable



POL-127P

A mm	B = 600 mm			B = 700 mm			B = 600 mm			B = 700 mm		
	code	weight kg	price €	code	weight kg	price €	code	weight kg	price €	code	weight kg	price €
800	127086	38	887,-	127087	42	951,-	127086P	40	1 191,-	127087P	44	1 272,-
900	127096	42	936,-	127097	46	1 024,-	127096P	44	1 247,-	127097P	48	1 331,-
1000	127106	45	985,-	127107	50	1 054,-	127106P	47	1 303,-	127107P	53	1 388,-
1100	127116	49	1 056,-	127117	53	1 132,-	127116P	51	1 359,-	127117P	57	1 451,-
1200	127126	52	1 082,-	127127	57	1 160,-	127126P	55	1 412,-	127127P	61	1 509,-
1300	127136	55	1 149,-	127137	61	1 230,-	127136P	59	1 468,-	127137P	65	1 568,-
1400	127146	58	1 180,-	127147	65	1 264,-	127146P	63	1 523,-	127147P	70	1 628,-
1500	127156	62	1 253,-	127157	69	1 342,-	127156P	67	1 579,-	127157P	74	1 685,-
1600	127166	65	1 275,-	127167	73	1 370,-	127166P	71	1 635,-	127167P	79	1 744,-
1700	127176	69	1 353,-	127177	77	1 419,-	127176P	75	1 688,-	127177P	83	1 803,-
1800	127186	72	1 373,-	127187	81	1 472,-	127186P	79	1 744,-	127187P	87	1 861,-
1900	127196	76	1 447,-	127197	85	1 526,-	127196P	82	1 800,-	127197P	91	1 922,-



magnetix

## Work table with splashback, cabinet with hinged door

- internal shelf easily removable

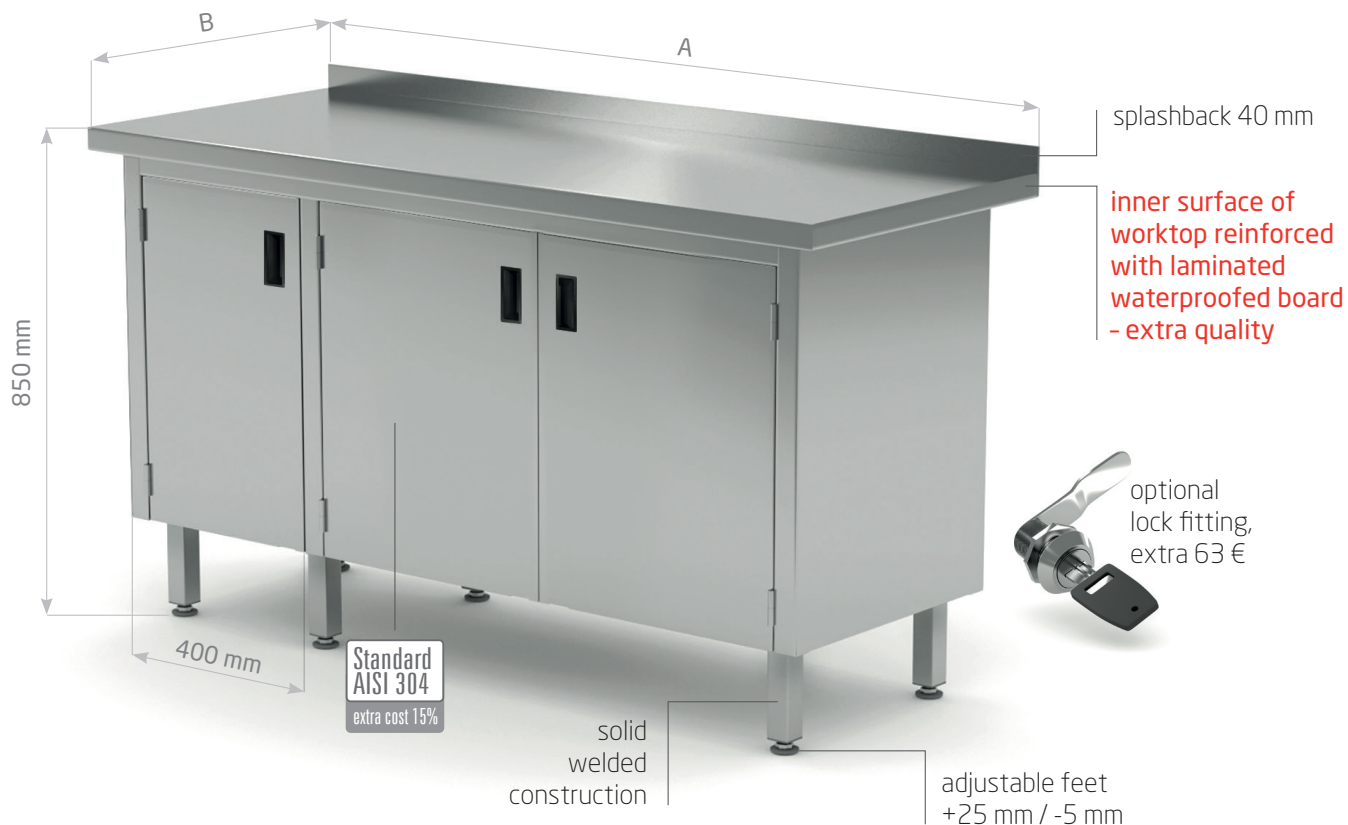


POL-128-1



POL-128-2

A mm	B = 600 mm			B = 700 mm			A mm	B = 600 mm			B = 700 mm		
	code	weight kg	price €	code	weight kg	price €		code	weight kg	price €	code	weight kg	price €
430	128046-1	24	562,-	128047-1	25	597,-	700	128076-2	37	745,-	128077-2	39	792,-
500	128056-1	28	618,-	128057-1	29	656,-	800	128086-2	40	820,-	128087-2	43	869,-
600	128066-1	32	674,-	128067-1	34	716,-	900	128096-2	44	878,-	128097-2	47	932,-
							1000	128106-2	48	934,-	128107-2	51	989,-
							1100	128116-2	52	992,-	128117-2	55	1 052,-
							1200	128126-2	55	1 048,-	128127-2	59	1 112,-
							1300	128136-2	59	1 104,-	128137-2	63	1 174,-



## Work table, cabinet with hinged doors

### Work table with splashback

- partition dividing small and large sections of the cabinet
- internal shelf easily removable



POL-128-3

### Double-sided centre work table without splashback

- internal shelf easily removable



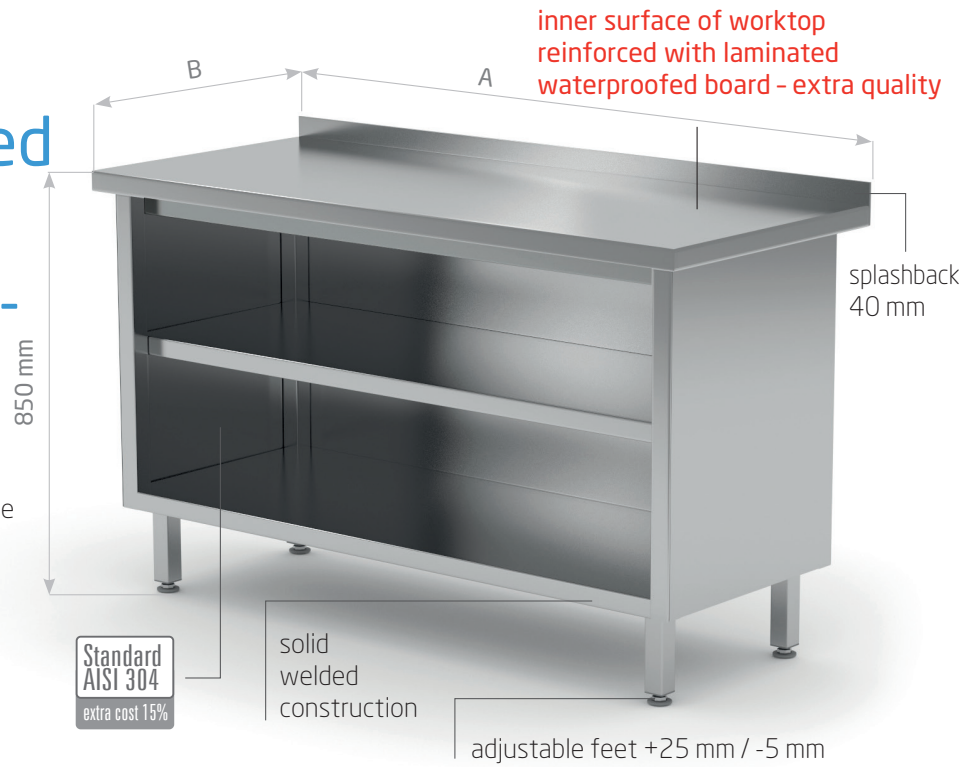
POL-128P

A mm	B = 600 mm			B = 700 mm		
	code	weight kg	price €	code	weight kg	price €
1400	128146-3	73	1 163,-	128147-3	76	1 236,-
1500	128156-3	76	1 219,-	128157-3	80	1 297,-

A mm	B = 600 mm			B = 700 mm		
	code	weight kg	price €	code	weight kg	price €
800	128086P	43	996,-	128087P	46	1 047,-
900	128096P	47	1 062,-	128097P	50	1 118,-
1000	128106P	51	1 129,-	128107P	54	1 188,-
1100	128116P	55	1 194,-	128117P	58	1 258,-
1200	128126P	58	1 261,-	128127P	62	1 328,-
1300	128136P	62	1 328,-	128137P	66	1 398,-

# Open fronted work table with splashback

- internal shelf easily removable



POL-129

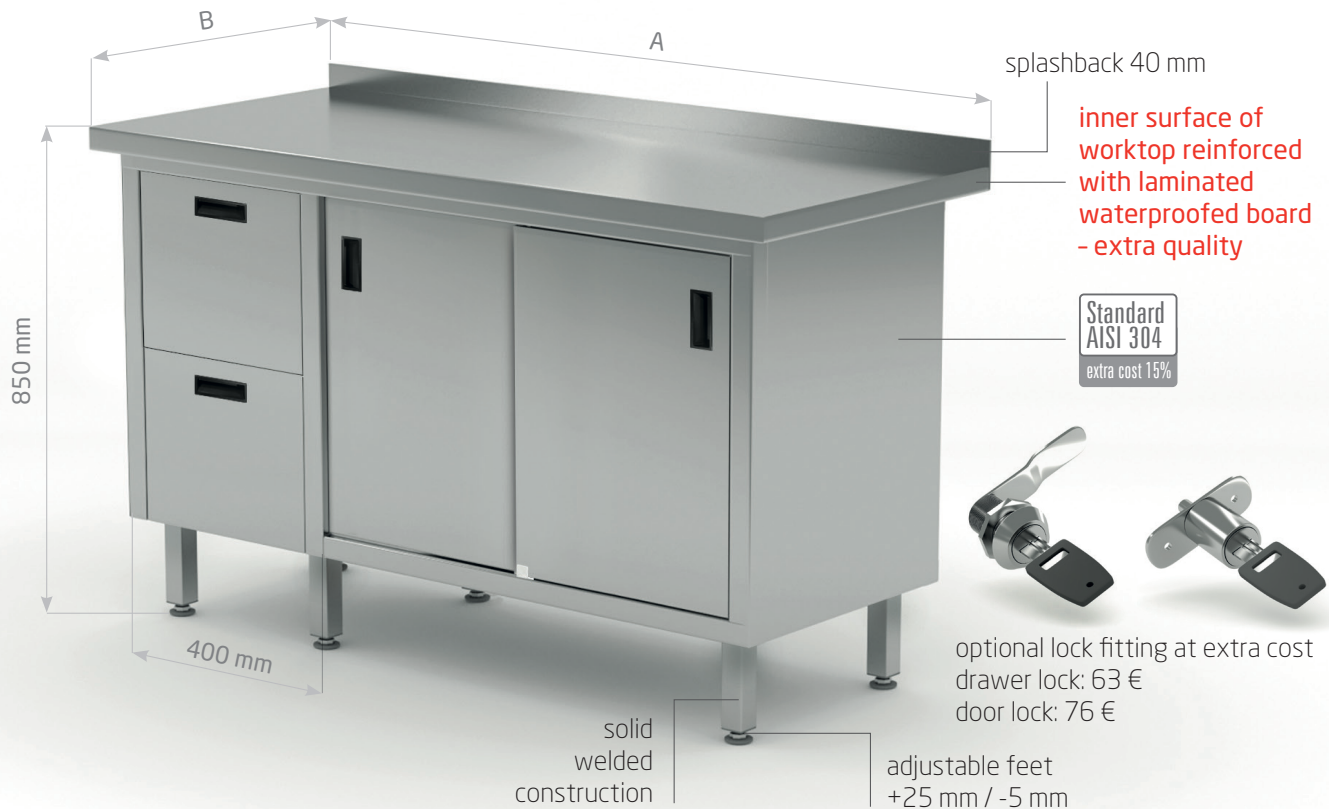
A mm	B = 600 mm			B = 700 mm		
	code	weight kg	price €	code	weight kg	price €
500	129056	24	553,-	129057	26	590,-
600	129066	27	593,-	129067	29	632,-
700	129076	30	630,-	129077	32	677,-
800	129086	33	668,-	129087	35	719,-
900	129096	35	708,-	129097	39	761,-
1000	129106	38	744,-	129107	42	803,-
1100	129116	41	782,-	129117	45	846,-
1200	129126	44	822,-	129127	48	888,-
1300	129136	47	862,-	129137	52	932,-
1400	129146	50	898,-	129147	55	972,-
1500	129156	53	936,-	129157	58	1 014,-
1600	129166	56	964,-	129167	61	1 038,-
1700	129176	59	988,-	129177	64	1 055,-
1800	129186	62	1 038,-	129187	67	1 090,-

# Work table with splashback and tiltable waste bin



POL-131

A mm	B = 600 mm			B = 700 mm		
	code	weight kg	price €	code	weight kg	price €
430	131046	25	867,-	131047	26	905,-



## Work table with splashback, cabinet with two drawers and sliding doors

### Drawers on left side

- drawer depth 250 mm
- internal shelf easily removable



POL-130-L

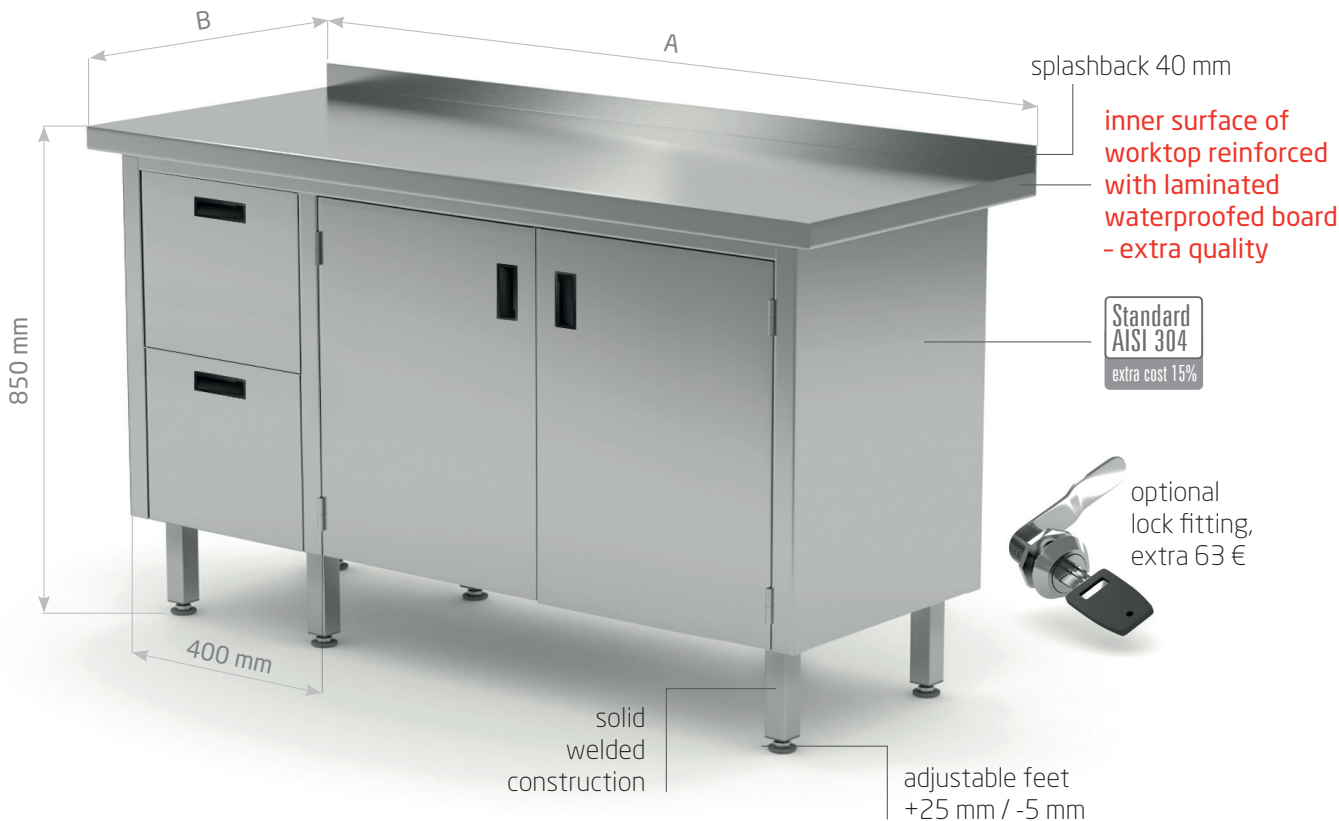
### Drawers on right side

- drawer depth 250 mm
- internal shelf easily removable



POL-130-P

A mm	B = 600 mm			B = 700 mm			B = 600 mm			B = 700 mm		
	code	weight kg	price €	code	weight kg	price €	code	weight kg	price €	code	weight kg	price €
1200	130126-L	71	1 492,-	130127-L	77	1 593,-	130126-P	71	1 492,-	130127-P	77	1 593,-
1300	130136-L	74	1 561,-	130137-L	81	1 664,-	130136-P	74	1 561,-	130137-P	81	1 664,-
1400	130146-L	77	1 622,-	130147-L	85	1 729,-	130146-P	77	1 622,-	130147-P	85	1 729,-
1500	130156-L	81	1 687,-	130157-L	89	1 795,-	130156-P	81	1 687,-	130157-P	89	1 795,-
1600	130166-L	84	1 747,-	130167-L	93	1 862,-	130166-P	84	1 747,-	130167-P	93	1 862,-
1700	130176-L	88	1 809,-	130177-L	97	1 929,-	130176-P	88	1 809,-	130177-P	97	1 929,-
1800	130186-L	91	1 873,-	130187-L	101	1 999,-	130186-P	91	1 873,-	130187-P	101	1 999,-
1900	130196-L	95	1 935,-	130197-L	105	2 067,-	130196-P	95	1 935,-	130197-P	105	2 067,-



## Work table with splashback, cabinet with two drawers and hinged doors

magnetix

### Drawers on left side

- drawer depth 250 mm
- internal shelf easily removable



POL-132-L

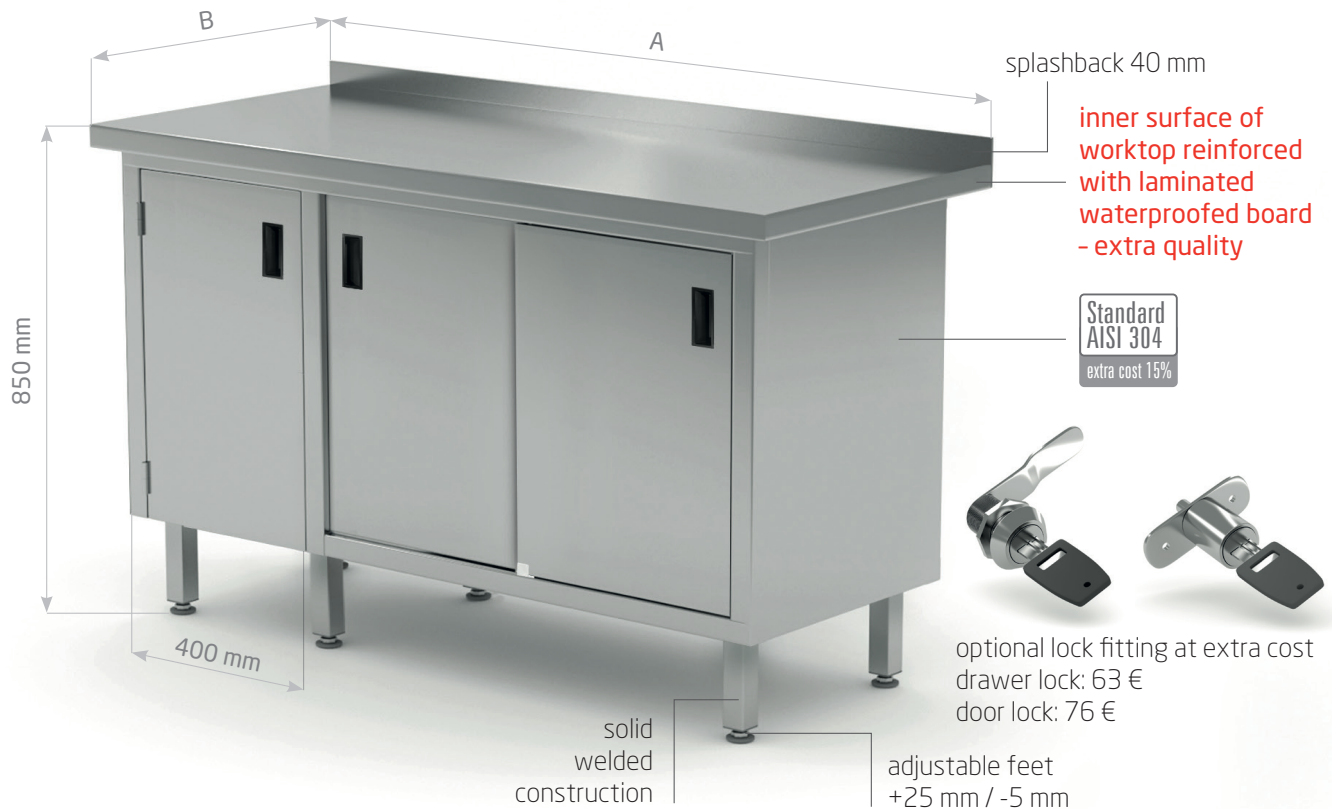
### Drawers on right side

- drawer depth 250 mm
- internal shelf easily removable



POL-132-P

A mm	B = 600 mm			B = 700 mm			B = 600 mm			B = 700 mm		
	code	weight kg	price €	code	weight kg	price €	code	weight kg	price €	code	weight kg	price €
1100	132116-L	67	1 373,-	132117-L	73	1 447,-	132116-P	67	1 373,-	132117-P	73	1 447,-
1200	132126-L	71	1 430,-	132127-L	77	1 531,-	132126-P	71	1 430,-	132127-P	77	1 531,-
1300	132136-L	75	1 499,-	132137-L	81	1 603,-	132136-P	75	1 499,-	132137-P	81	1 603,-
1400	132146-L	79	1 561,-	132147-L	85	1 666,-	132146-P	79	1 561,-	132147-P	85	1 666,-
1500	132156-L	83	1 624,-	132157-L	89	1 733,-	132156-P	83	1 624,-	132157-P	89	1 733,-
1600	132166-L	87	1 685,-	132167-L	94	1 800,-	132166-P	87	1 685,-	132167-P	94	1 800,-
1700	132176-L	91	1 747,-	132177-L	98	1 868,-	132176-P	91	1 747,-	132177-P	98	1 868,-
1800	132186-L	95	1 812,-	132187-L	102	1 938,-	132186-P	95	1 812,-	132187-P	102	1 938,-
1900	132196-L	99	1 873,-	132197-L	106	2 005,-	132196-P	99	1 873,-	132197-P	106	2 005,-



## Work table with splashback, cabinet with sliding doors and hinged door

### Hinged door on the left

- partition dividing small and large sections of the cabinet
- internal shelf easily removable



POL-134-L

### Hinged door on the right

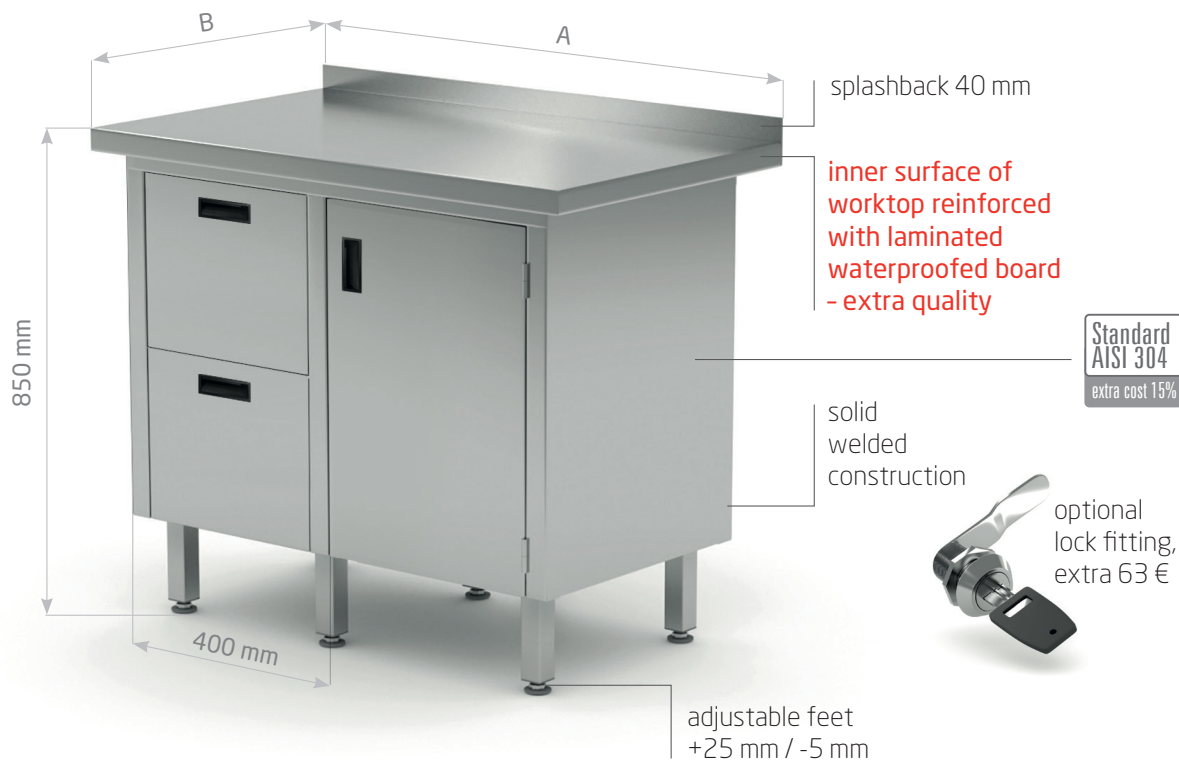
- partition dividing small and large sections of the cabinet
- internal shelf easily removable



POL-134-P

A mm	B = 600 mm			B = 700 mm			B = 600 mm			B = 700 mm		
	code	weight kg	price €	code	weight kg	price €	code	weight kg	price €	code	weight kg	price €
1200	134126-L	69	1 356,-	134127-L	75	1 451,-	134126-P	69	1 356,-	134127-P	75	1 451,-
1300	134136-L	72	1 408,-	134137-L	79	1 506,-	134136-P	72	1 408,-	134137-P	79	1 506,-
1400	134146-L	75	1 460,-	134147-L	83	1 561,-	134146-P	75	1 460,-	134147-P	83	1 561,-
1500	134156-L	79	1 509,-	134157-L	87	1 615,-	134156-P	79	1 509,-	134157-P	87	1 615,-
1600	134166-L	82	1 562,-	134167-L	91	1 671,-	134166-P	82	1 562,-	134167-P	91	1 671,-
1700	134176-L	86	1 613,-	134177-L	95	1 725,-	134176-P	86	1 613,-	134177-P	95	1 725,-
1800	134186-L	89	1 663,-	134187-L	99	1 781,-	134186-P	89	1 663,-	134187-P	99	1 781,-
1900	134196-L	93	1 713,-	134197-L	103	1 837,-	134196-P	93	1 713,-	134197-P	103	1 837,-





## Work table with splashback, cabinet with two drawers and hinged door

### Drawers on left side

- drawer depth 250 mm
- internal shelf easily removable



POL-135-L

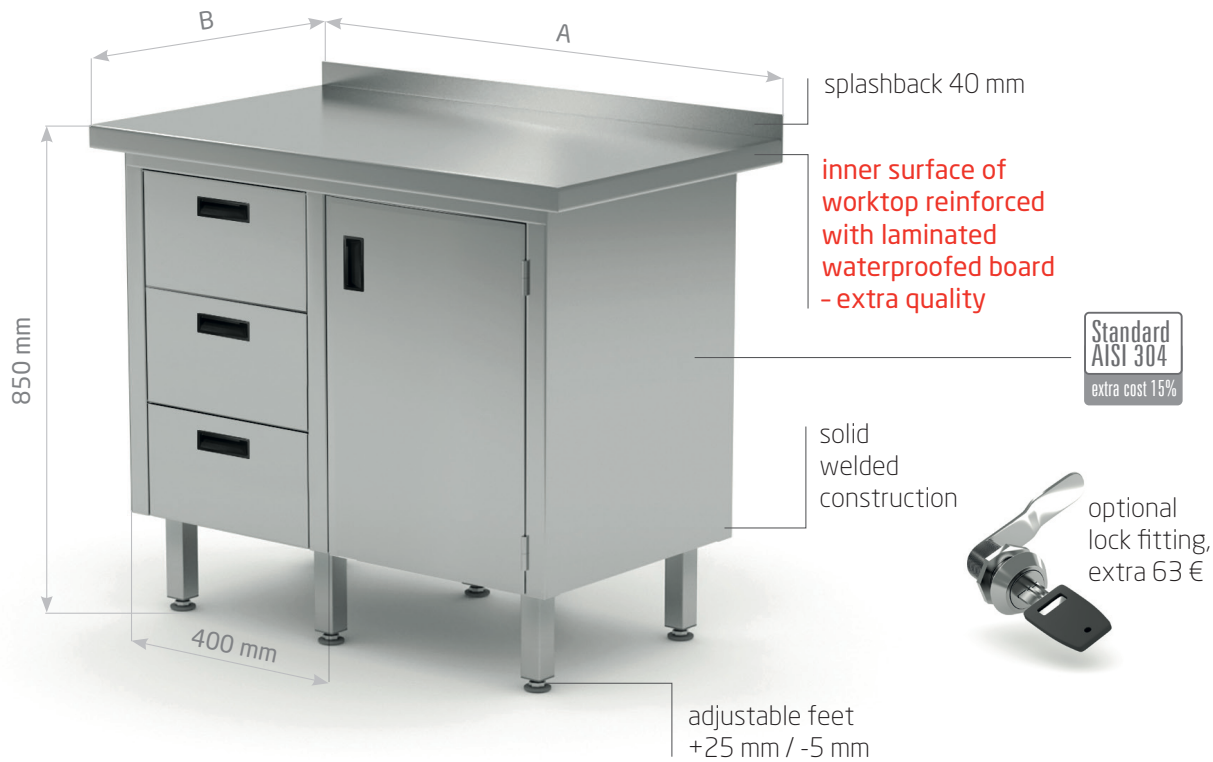
### Drawers on right side

- drawer depth 250 mm
- internal shelf easily removable



POL-135-P

A mm	B = 600 mm			B = 700 mm			B = 600 mm			B = 700 mm		
	code	weight kg	price €	code	weight kg	price €	code	weight kg	price €	code	weight kg	price €
830	135086-L	45	1 149,-	135087-L	46	1 233,-	135086-P	45	1 149,-	135087-P	46	1 233,-
900	135096-L	46	1 210,-	135097-L	47	1 299,-	135096-P	46	1 210,-	135097-P	47	1 299,-
1000	135106-L	47	1 272,-	135107-L	48	1 365,-	135106-P	47	1 272,-	135107-P	48	1 365,-



## Work table with splashback, cabinet with three drawers and hinged door

### Drawers on left side

- drawer depth 150 mm
- internal shelf easily removable

### Drawers on right side

- drawer depth 150 mm
- internal shelf easily removable

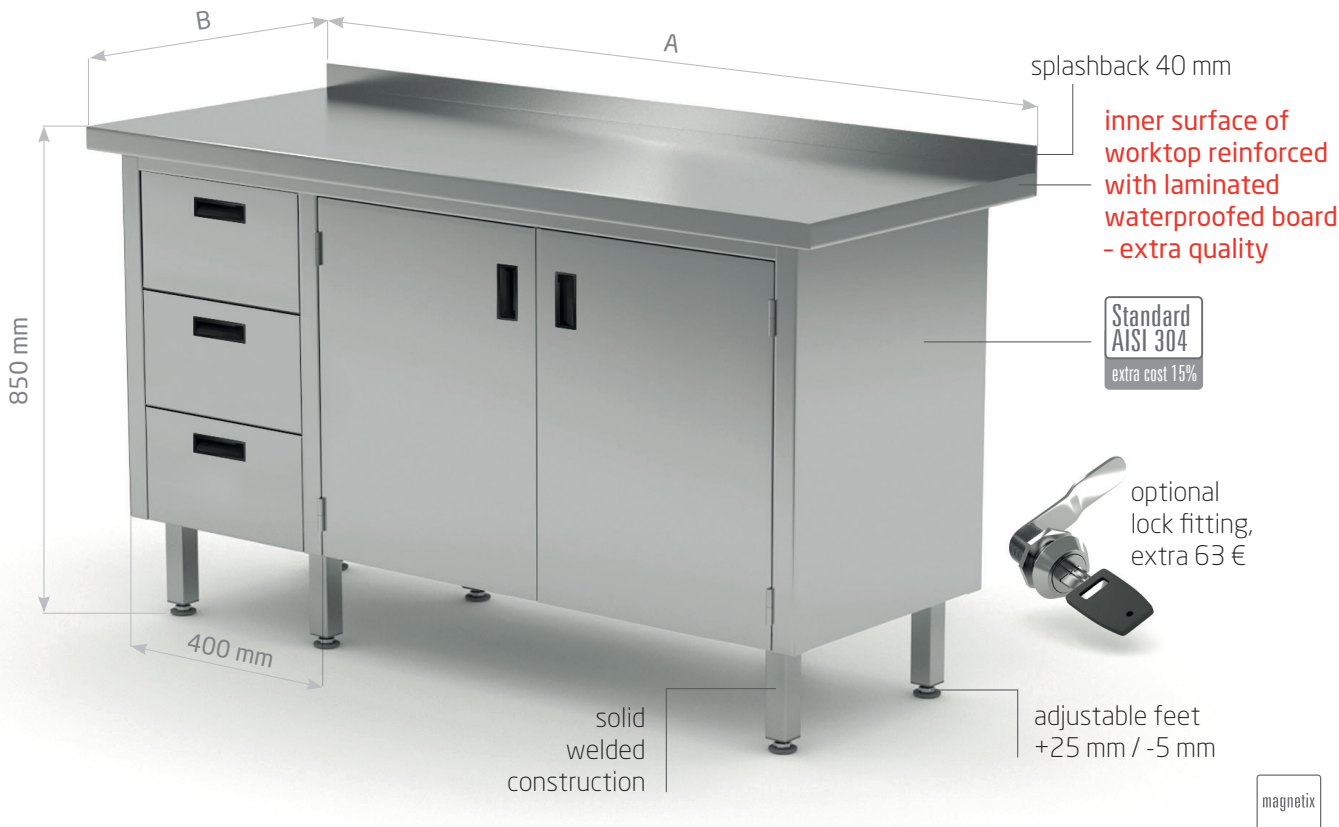


POL-136-3-L



POL-136-3-P

A mm	B = 600 mm			B = 700 mm			B = 600 mm			B = 700 mm		
	code	weight kg	price €	code	weight kg	price €	code	weight kg	price €	code	weight kg	price €
830	136086-3-L	47	1 323,-	136087-3-L	48	1 418,-	136086-3-P	47	1 323,-	136087-3-P	48	1 418,-
900	136096-3-L	48	1 384,-	136097-3-L	49	1 484,-	136096-3-P	48	1 384,-	136097-3-P	49	1 484,-
1000	136106-3-L	49	1 444,-	136107-3-L	50	1 548,-	136106-3-P	49	1 444,-	136107-3-P	50	1 548,-



## Work table with splashback, cabinet with three drawers and hinged doors

### Drawers on left side

- drawer depth 150 mm
- internal shelf easily removable



POL-137-L

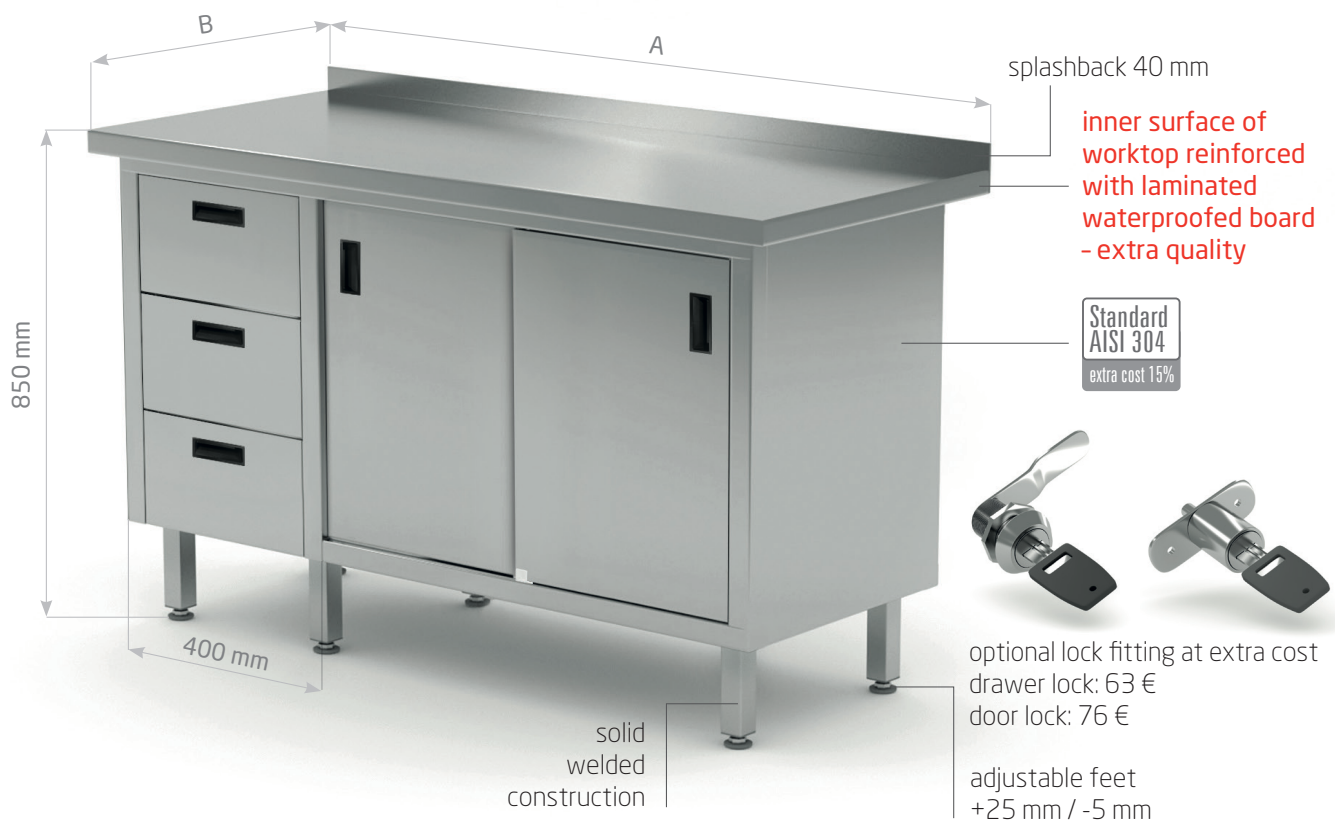
### Drawers on right side

- drawer depth 150 mm
- internal shelf easily removable



POL-137-P

A mm	B = 600 mm			B = 700 mm			B = 600 mm			B = 700 mm		
	code	weight kg	price €	code	weight kg	price €	code	weight kg	price €	code	weight kg	price €
1100	137116-L	67	1 524,-	137117-L	75	1 632,-	137116-P	67	1 524,-	137117-P	75	1 632,-
1200	137126-L	71	1 604,-	137127-L	79	1 716,-	137126-P	71	1 604,-	137127-P	79	1 716,-
1300	137136-L	77	1 671,-	137137-L	83	1 786,-	137136-P	77	1 671,-	137137-P	83	1 786,-
1400	137146-L	81	1 733,-	137147-L	87	1 851,-	137146-P	81	1 733,-	137147-P	87	1 851,-
1500	137156-L	85	1 798,-	137157-L	91	1 918,-	137156-P	85	1 798,-	137157-P	91	1 918,-
1600	137166-L	89	1 859,-	137167-L	96	1 985,-	137166-P	89	1 859,-	137167-P	96	1 985,-
1700	137176-L	93	1 921,-	137177-L	100	2 052,-	137176-P	93	1 921,-	137177-P	100	2 052,-
1800	137186-L	97	1 985,-	137187-L	104	2 121,-	137186-P	97	1 985,-	137187-P	104	2 121,-
1900	137196-L	101	2 045,-	137197-L	108	2 188,-	137196-P	101	2 045,-	137197-P	108	2 188,-



## Work table with splashback, cabinet with three drawers and sliding doors

### Drawers on left side

- drawer depth 150 mm
- internal shelf easily removable



POL-138-L

### Drawers on right side

- drawer depth 150 mm
- internal shelf easily removable



POL-138-P

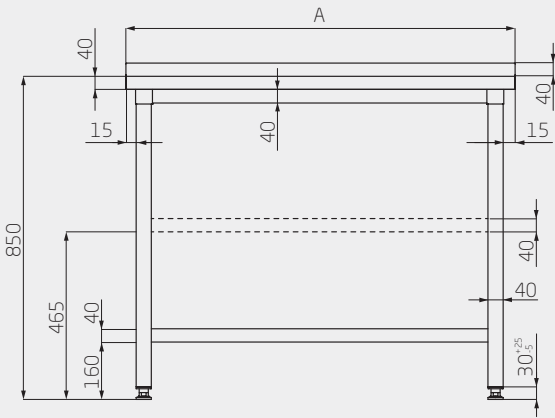
A mm	B = 600 mm			B = 700 mm			B = 600 mm			B = 700 mm		
	code	weight kg	price €	code	weight kg	price €	code	weight kg	price €	code	weight kg	price €
1200	138126-L	73	1 697,-	138127-L	79	1 820,-	138126-P	73	1 697,-	138127-P	79	1 820,-
1300	138136-L	76	1 762,-	138137-L	83	1 876,-	138136-P	76	1 762,-	138137-P	83	1 876,-
1400	138146-L	79	1 824,-	138147-L	87	1 943,-	138146-P	79	1 824,-	138147-P	87	1 943,-
1500	138156-L	83	1 884,-	138157-L	91	2 003,-	138156-P	83	1 884,-	138157-P	91	2 003,-
1600	138166-L	86	1 952,-	138167-L	95	2 065,-	138166-P	86	1 952,-	138167-P	95	2 065,-
1700	138176-L	90	2 017,-	138177-L	99	2 135,-	138176-P	90	2 017,-	138177-P	99	2 135,-
1800	138186-L	93	2 078,-	138187-L	103	2 195,-	138186-P	93	2 078,-	138187-P	103	2 195,-
1900	138196-L	97	2 152,-	138197-L	107	2 261,-	138196-P	97	2 152,-	138197-P	107	2 261,-



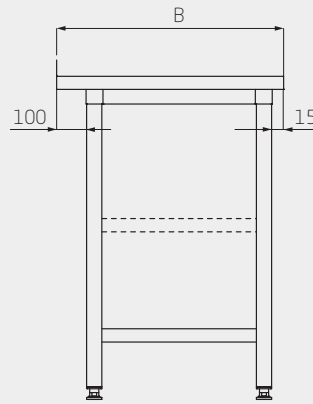
# Table dimensions

Work table with splashback

front

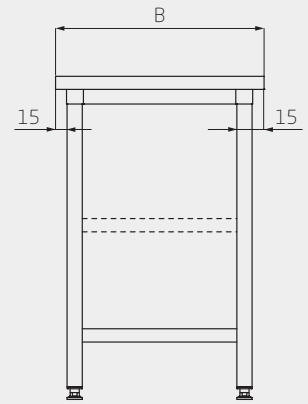


side

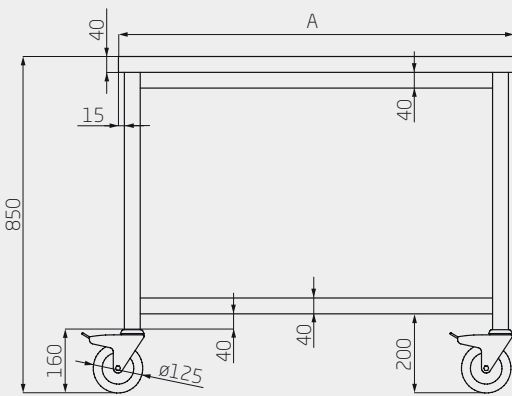


Centre work table

side

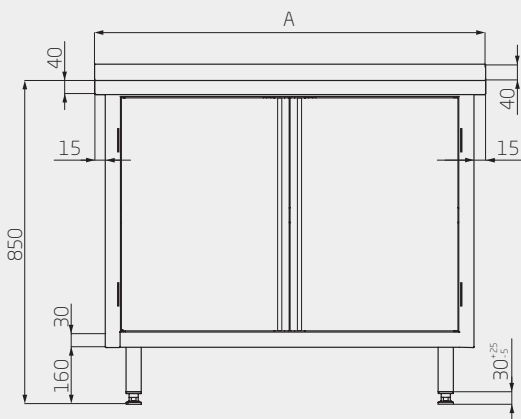


Mobile table with shelf

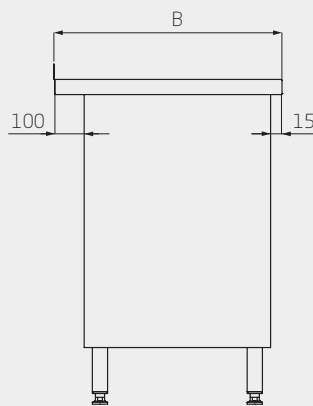


Work table with splashback, cabinet with hinged door

front

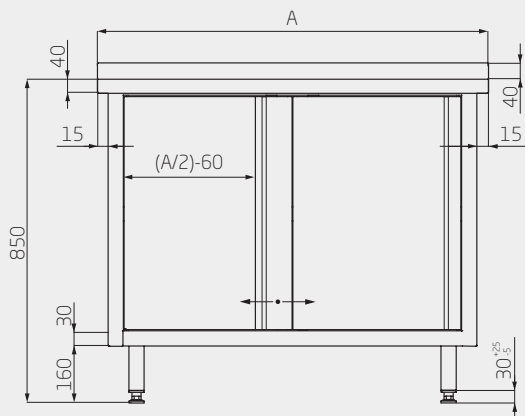


side

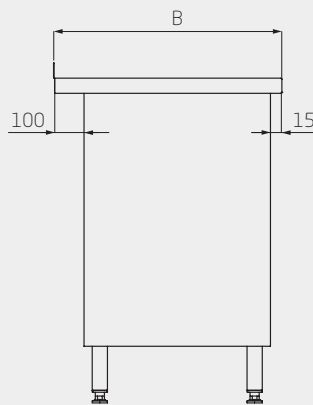


### Work table, cabinet with sliding doors

front



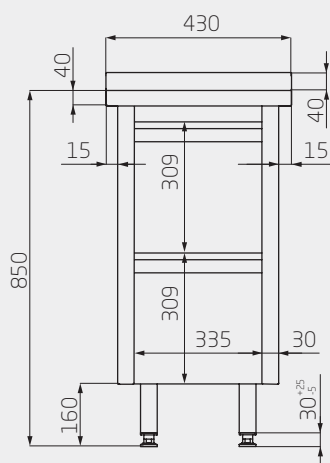
side



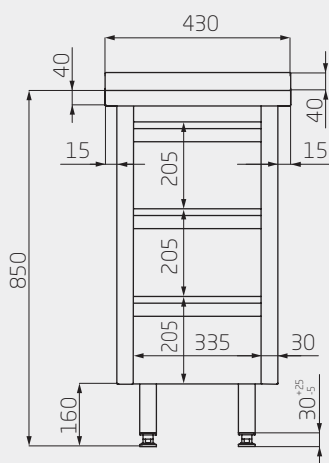
### Cupboard

front

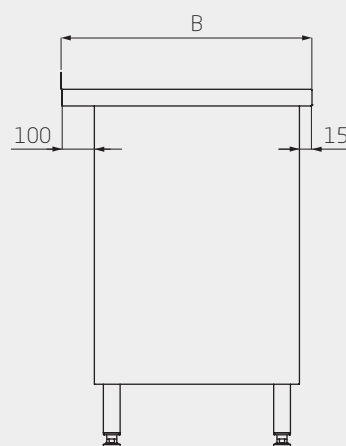
2-drawer cupboard



3-drawer cupboard

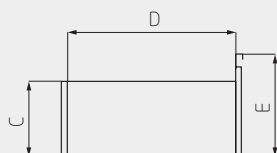


side



### Cupboard drawer

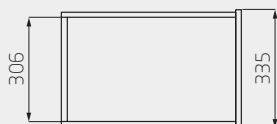
side



2-drawer cupboard  
C = 221 mm, E = 309 mm

3-drawer cupboard  
C = 117 mm, E = 205 mm

top view



for B = 600 mm – D = 430 mm  
for B = 700 mm – D = 530 mm



# 200

## TABLES WITH SINK





- fully welded construction
- adjustable feet
- AISI 430 standard table tops, cabinet frames and bodies
- sinks fitted with masking front panel as standard
- wash trough with fabricated slope directed towards the waste trap
- optional hole for waste disposal unit
- furniture produced according to AISI 304 standards - extra cost next to each individual item
- approximate permissible load per worktop or shelf is 70 kg/m<sup>2</sup>. If heavier loads are expected, please contact us in order to modify the design.

acid protector surface

high quality acid resistant stainless steel surface

perfect clean

masking strip at the front allows a perfect clean

acid protector sink

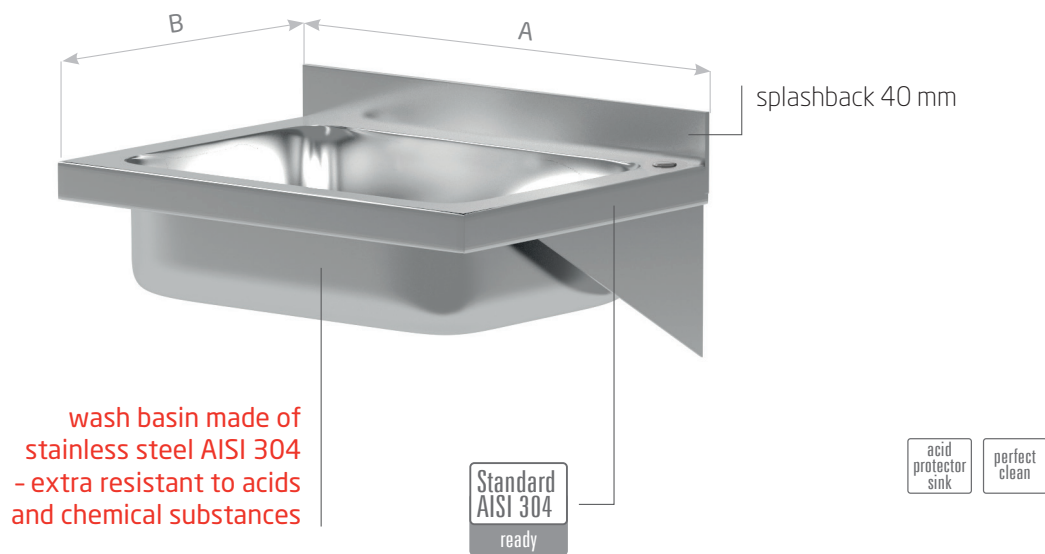
sink produced from high quality acid resistant steel

magnetix

innovative magnetic closure

6 security legs

6 legs ensuring stability and safety at work



## Wall mounted wash basin

### Wash basin

- wall mounted
- tap hole on the right hand side Ø 35 mm
- wash basin made of stainless steel AISI 304
- rectangular sink

### Built in wash basin

- wall mounted
- tap hole on the right hand side Ø 35 mm
- sink built-in on three sides
- wash basin made of stainless steel AISI 304
- rectangular sink

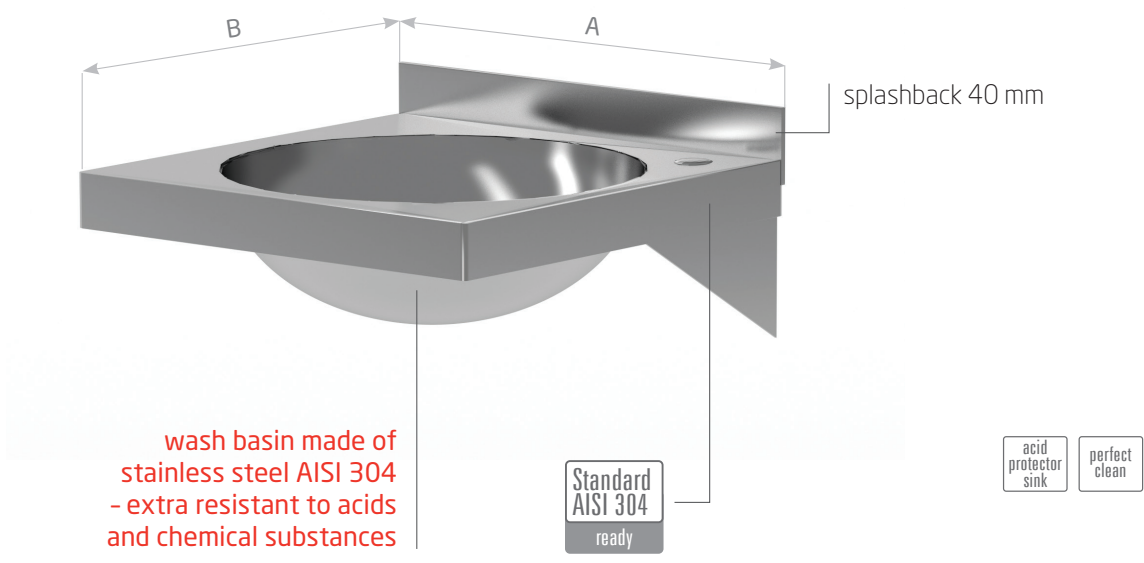


POL-201



POL-201M

A mm	B = 295 mm			B = 295 mm		
	code	weight kg	price €	code	weight kg	price €
400	201403	3	214,-	201403M	5	305,-



# Wall mounted wash basin

## Wash basin

- wall mounted
- tap hole on the right hand side Ø 35 mm
- wash basin made of stainless steel AISI 304
- round sink of Ø 330 mm and (h) 120 mm

## Built in wash basin

- wall mounted
- tap hole on the right hand side Ø 35 mm
- sink built-in on three sides
- wash basin made of stainless steel AISI 304
- round sink of Ø 330 mm and (h) 120 mm

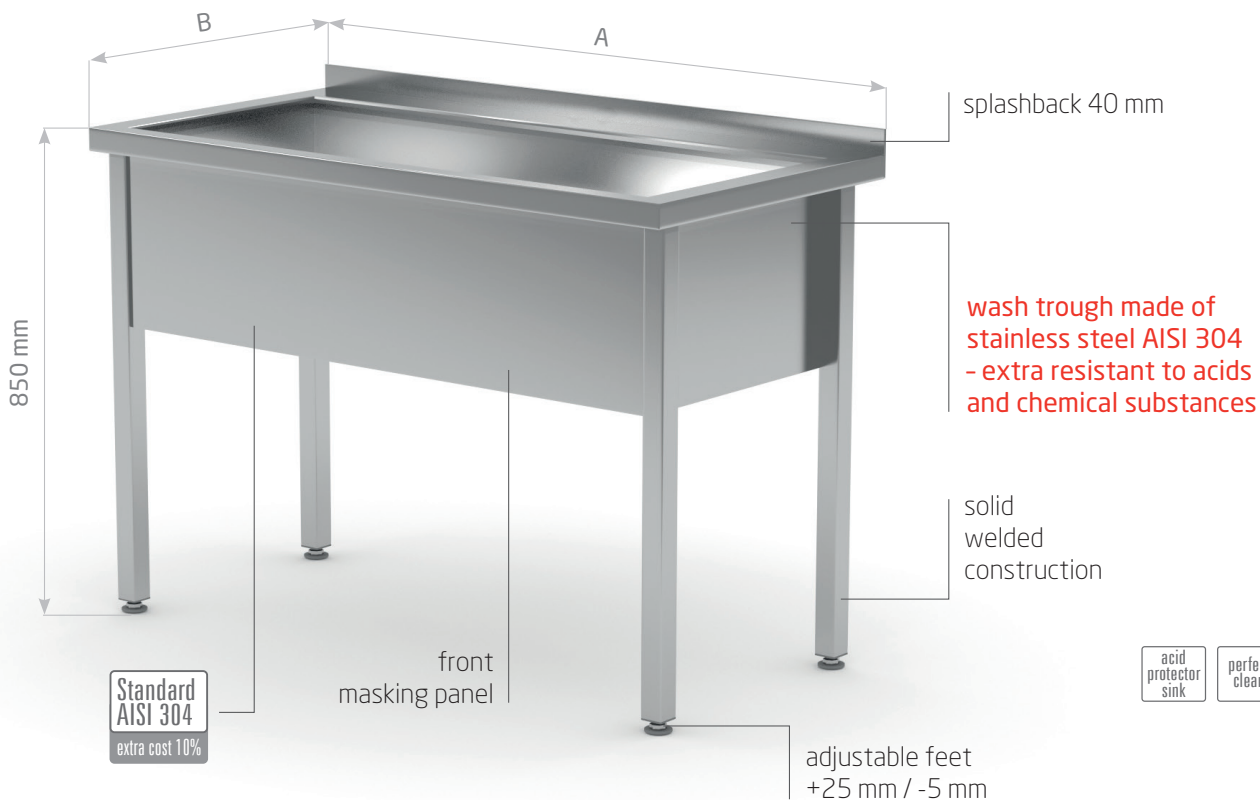


POL-201-0



POL-201M-0

A mm	B = 400 mm			B = 400 mm		
	code	weight kg	price €	code	weight kg	price €
400	201404-0	4	249,-	201404M-0	6	336,-



## Table with single wash trough

- welded basin
- waste trap hole at the bottom of the sink
- fabricated slope directed towards the waste trap
- wash trough made of stainless steel AISI 304
- tap hole Ø35 mm – by special request
- cutting out a hole for a waste disposal unit is possible – optional extra 49 €, please specify which sink

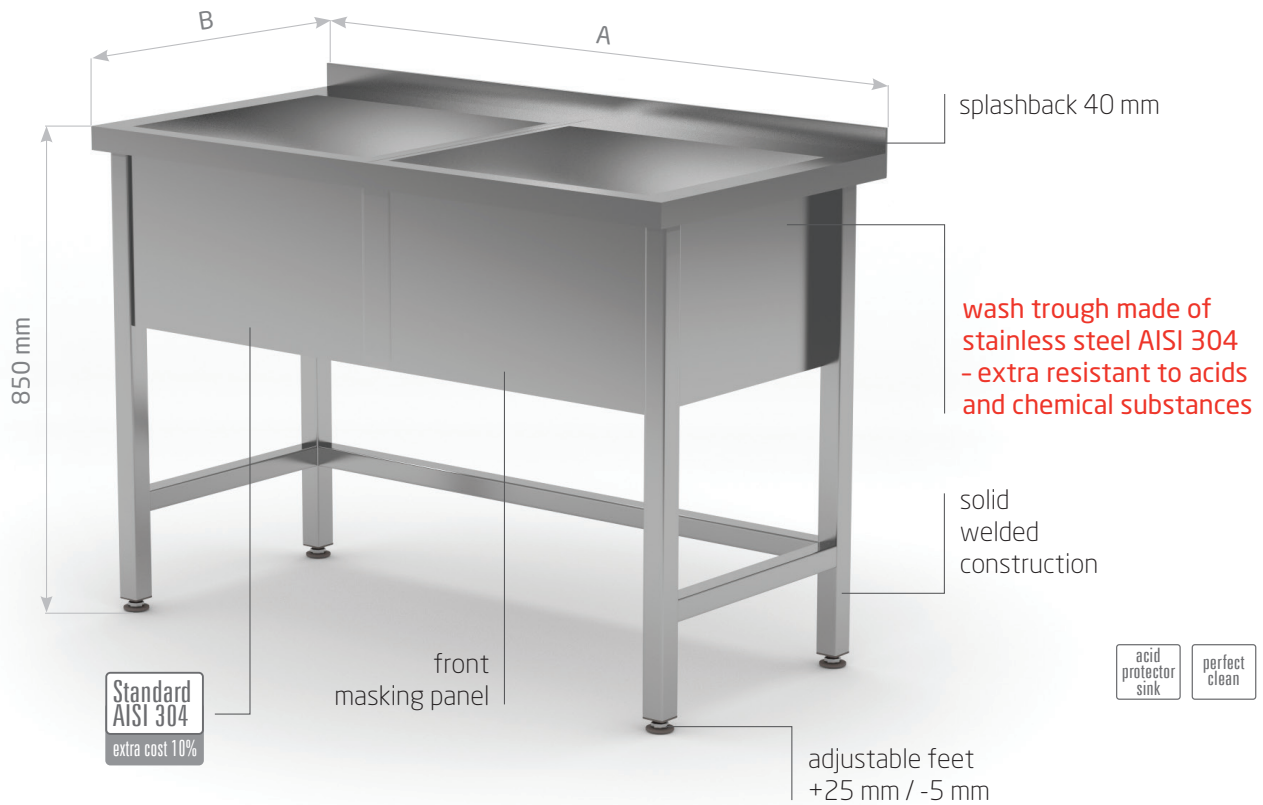


POL-205/3



POL-205/4

A mm	B = 600 mm			B = 700 mm			B = 600 mm			B = 700 mm		
	sink depth h=300 mm			sink depth h=300 mm			sink depth h=400 mm			sink depth h=400 mm		
	code	weight kg	price €	code	weight kg	price €	code	weight kg	price €	code	weight kg	price €
600	205066/3	19	637,-	205067/3	21	667,-	205066/4	22	694,-	205067/4	24	729,-
700	205076/3	21	668,-	205077/3	23	699,-	205076/4	25	729,-	205077/4	26	764,-
800	205086/3	23	698,-	205087/3	25	731,-	205086/4	27	765,-	205087/4	29	803,-
900	205096/3	25	727,-	205097/3	27	764,-	205096/4	29	800,-	205097/4	31	841,-
1000	205106/3	27	761,-	205107/3	29	799,-	205106/4	31	839,-	205107/4	34	880,-
1100	205116/3	29	793,-	205117/3	31	831,-	205116/4	34	874,-	205117/4	36	918,-
1200	205126/3	31	825,-	205127/3	33	866,-	205126/4	36	911,-	205127/4	38	954,-



## Table with double wash trough

- welded basin
- waste trap hole at the bottom of the sink
- fabricated slope directed towards the waste trap
- wash trough made of stainless steel AISI 304
- tap hole Ø35 mm – by special request
- cutting out a hole for a waste disposal unit is possible – optional extra 49 €, please specify which sink

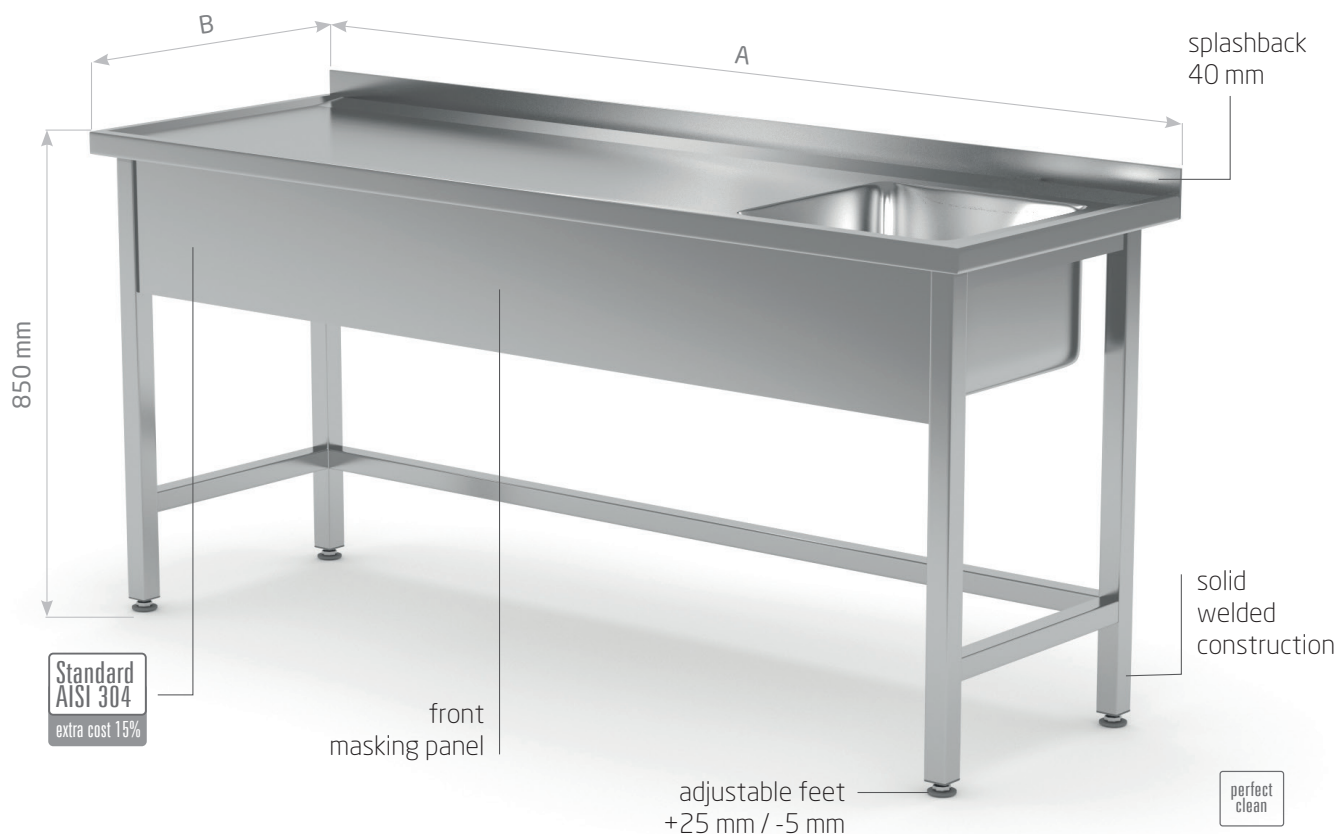


POL-206/3



POL-206/4

A mm	B = 600 mm			B = 700 mm			B = 600 mm			B = 700 mm		
	sink depth h=300 mm			sink depth h=300 mm			sink depth h=400 mm			sink depth h=400 mm		
	code	weight kg	price €	code	weight kg	price €	code	weight kg	price €	code	weight kg	price €
1200	206126/3	32	972,-	206127/3	34	1 027,-	206126/4	37	1 072,-	206127/4	40	1 132,-
1300	206136/3	34	1 005,-	206137/3	36	1 059,-	206136/4	39	1 111,-	206137/4	42	1 171,-
1400	206146/3	35	1 037,-	206147/3	38	1 091,-	206146/4	41	1 149,-	206147/4	44	1 209,-
1500	206156/3	37	1 069,-	206157/3	40	1 126,-	206156/4	43	1 185,-	206157/4	46	1 248,-
1600	206166/3	39	1 101,-	206167/3	42	1 159,-	206166/4	45	1 220,-	206167/4	49	1 286,-



## Reinforced table with sink without shelf

- tap hole Ø35 mm – by special request
- cutting out a hole for a waste disposal unit is possible  
– optional extra 49 €, please specify which sink
- front masking panel

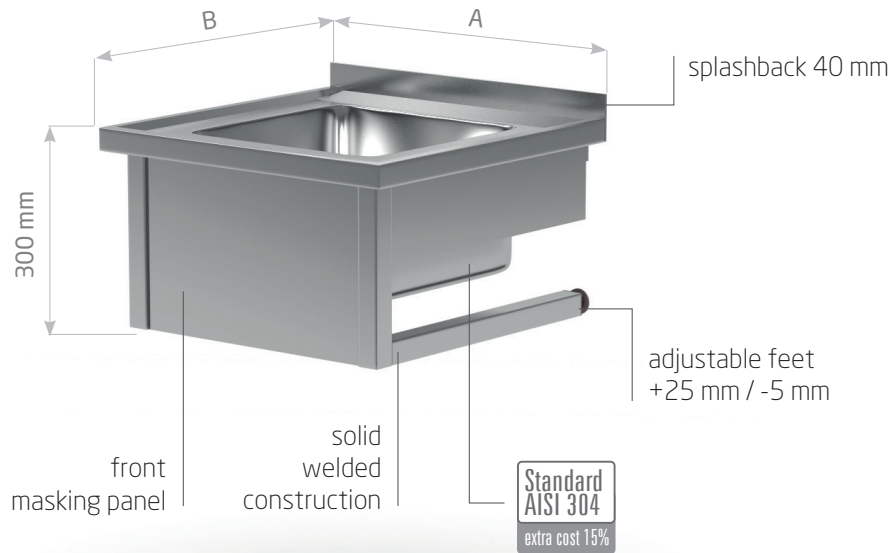


POL-210-L



POL-210-P

A mm	B = 600 mm			B = 700 mm			B = 600 mm			B = 700 mm		
	sink 400x400x(h)250 mm			sink 400x400x(h)250 mm			sink 400x400x(h)250 mm			sink 400x400x(h)250 mm		
	code	weight kg	price €	code	weight kg	price €	code	weight kg	price €	code	weight kg	price €
1200	210126-L	28	779,-	210127-L	31	820,-	210126-P	28	779,-	210127-P	31	820,-
1300	210136-L	29	804,-	210137-L	32	845,-	210136-P	29	804,-	210137-P	32	845,-
1400	210146-L	30	828,-	210147-L	33	870,-	210146-P	30	828,-	210147-P	33	870,-
1500	210156-L	31	853,-	210157-L	34	894,-	210156-P	31	853,-	210157-P	34	894,-
1600	210166-L	32	878,-	210167-L	35	919,-	210166-P	32	878,-	210167-P	35	919,-
1700	210176-L	33	904,-	210177-L	36	947,-	210176-P	33	904,-	210177-P	36	947,-
1800	210186-L	34	929,-	210187-L	37	972,-	210186-P	34	929,-	210187-P	37	972,-
1900	210196-L	35	954,-	210197-L	38	1 002,-	210196-P	35	954,-	210197-P	38	1 002,-



perfect  
clean

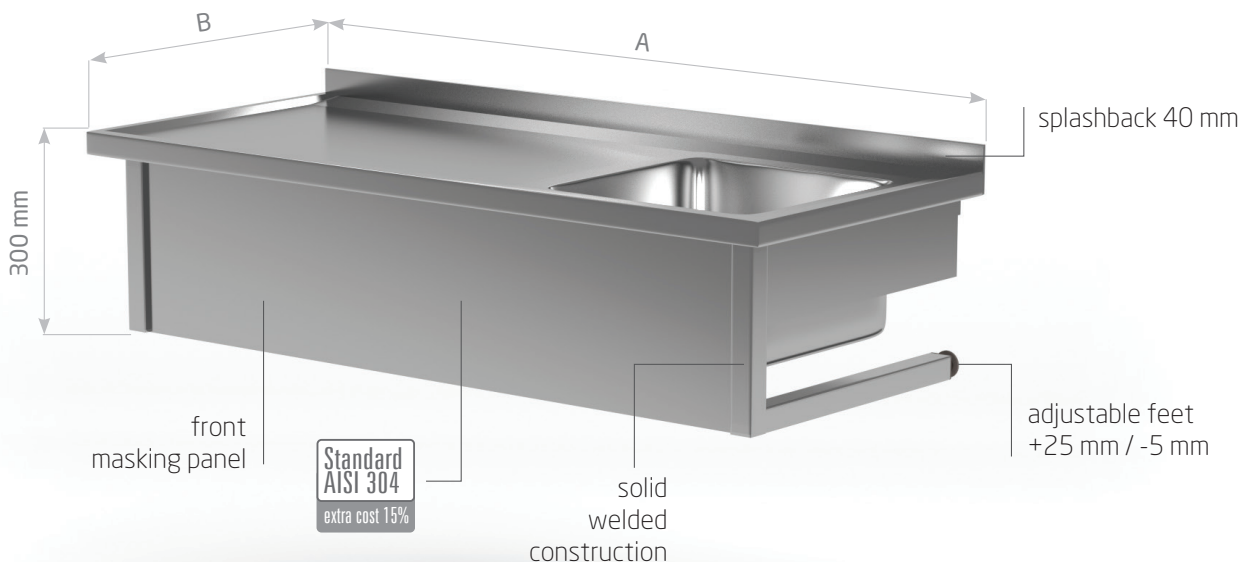
## Wall mounted table with sink

- top hole  $\varnothing$  35 mm – by special request
- cutting out a hole for a waste disposal unit is possible  
– optional extra 49 €
- enabling wall mounting



### POL-211-WI

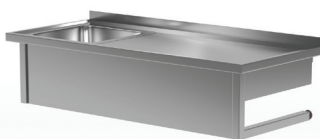
A mm	B = 600 mm			B = 700 mm		
	sink 400x400x(h)250 mm			sink 400x400x(h)250 mm		
	code	weight kg	price €	code	weight kg	price €
600	211066-WI	15	560,-	211067-WI	17	583,-
700	211076-WI	17	583,-	211077-WI	18	608,-



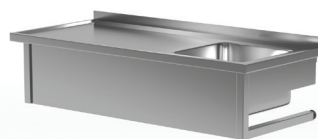
## Wall mounted table with sink

- top hole Ø 35 mm – by special request
- cutting out a hole for a waste disposal unit is possible  
– optional extra 49 €
- enabling wall mounting

### Sink on left side



### Sink on right side

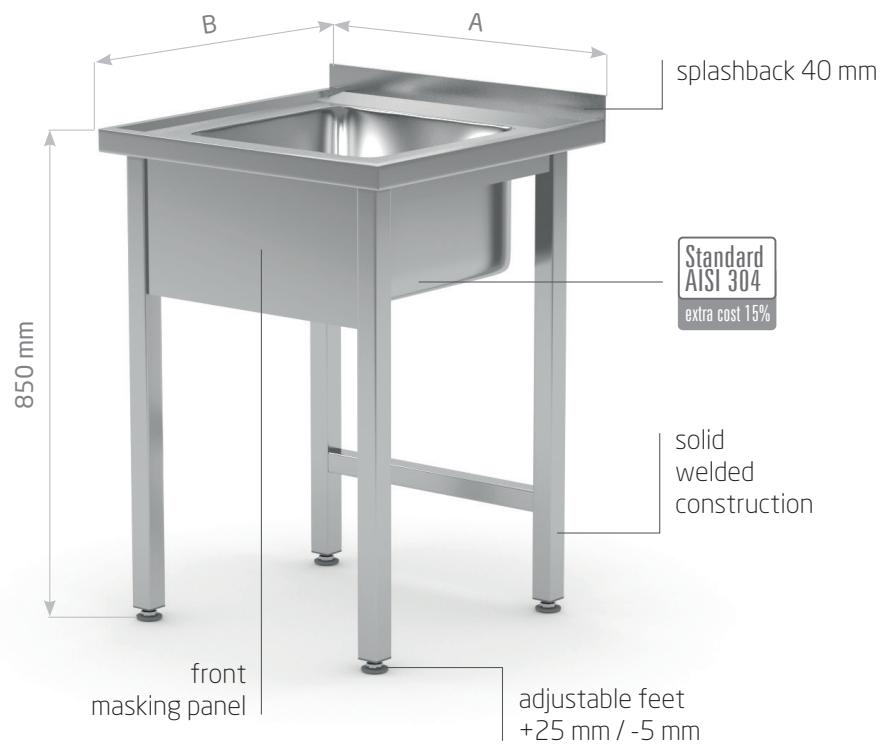


POL-211-WI-L

POL-211-WI-P

A mm	B = 600 mm			B = 700 mm			B = 600 mm			B = 700 mm		
	sink 400x400x(h)250 mm			sink 400x400x(h)250 mm			sink 400x400x(h)250 mm			sink 400x400x(h)250 mm		
	code	weight kg	price €	code	weight kg	price €	code	weight kg	price €	code	weight kg	price €
800	211086-WI-L	18	612,-	211087-WI-L	20	636,-	211086-WI-P	18	612,-	211087-WI-P	20	636,-
900	211096-WI-L	19	636,-	211097-WI-L	21	660,-	211096-WI-P	19	636,-	211097-WI-P	21	660,-
1000	211106-WI-L	20	660,-	211107-WI-L	22	688,-	211106-WI-P	20	660,-	211107-WI-P	22	688,-
1100	211116-WI-L	21	686,-	211117-WI-L	23	715,-	211116-WI-P	21	686,-	211117-WI-P	23	715,-
1200	211126-WI-L	22	709,-	211127-WI-L	25	738,-	211126-WI-P	22	709,-	211127-WI-P	25	738,-
1300	211136-WI-L	23	731,-	211137-WI-L	26	765,-	211136-WI-P	23	731,-	211137-WI-P	26	765,-
1400	211146-WI-L	24	755,-	211147-WI-L	27	793,-	211146-WI-P	24	755,-	211147-WI-P	27	793,-
1500	211156-WI-L	26	780,-	211157-WI-L	28	818,-	211156-WI-P	26	780,-	211157-WI-P	28	818,-
1600	211166-WI-L	27	804,-	211167-WI-L	30	843,-	211166-WI-P	27	804,-	211167-WI-P	30	843,-





## Table with sink

- tap hole Ø35 mm – by special request
- cutting out a hole for a waste disposal unit is possible  
– optional extra 49 €

### Without shelf



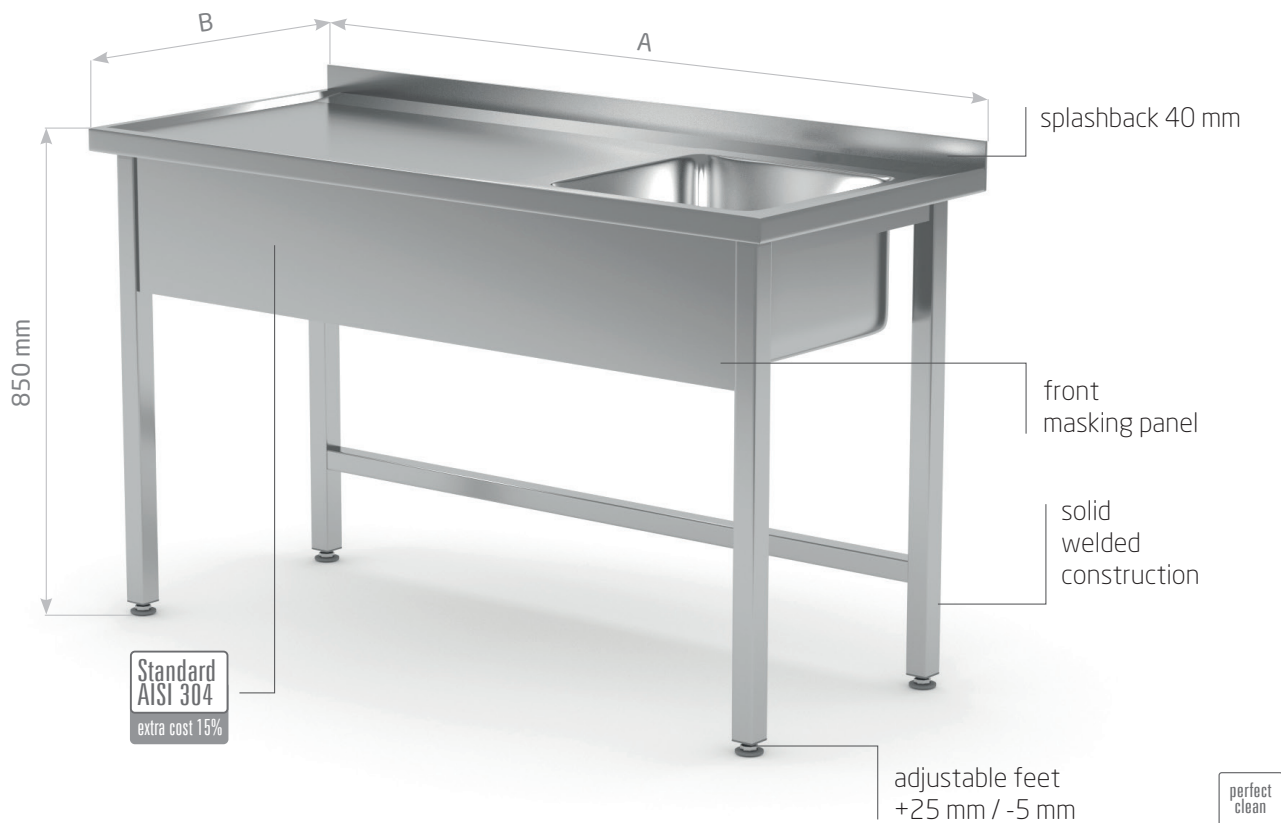
POL-211

### With shelf



POL-212

A mm	B = 600 mm			B = 700 mm			B = 600 mm			B = 700 mm		
	sink 400x400x(h)250 mm			sink 400x400x(h)250 mm			sink 400x400x(h)250 mm			sink 400x400x(h)250 mm		
	code	weight kg	price €	code	weight kg	price €	code	weight kg	price €	code	weight kg	price €
600	211066	19	590,-	211067	20	614,-	212066	22	635,-	212067	24	660,-
700	211076	20	614,-	211077	21	640,-	212076	24	667,-	212077	26	695,-



## Table with sink without shelf

- tap hole Ø35 mm – by special request
- cutting out a hole for a waste disposal unit is possible – optional extra 49 €

### Sink on left side



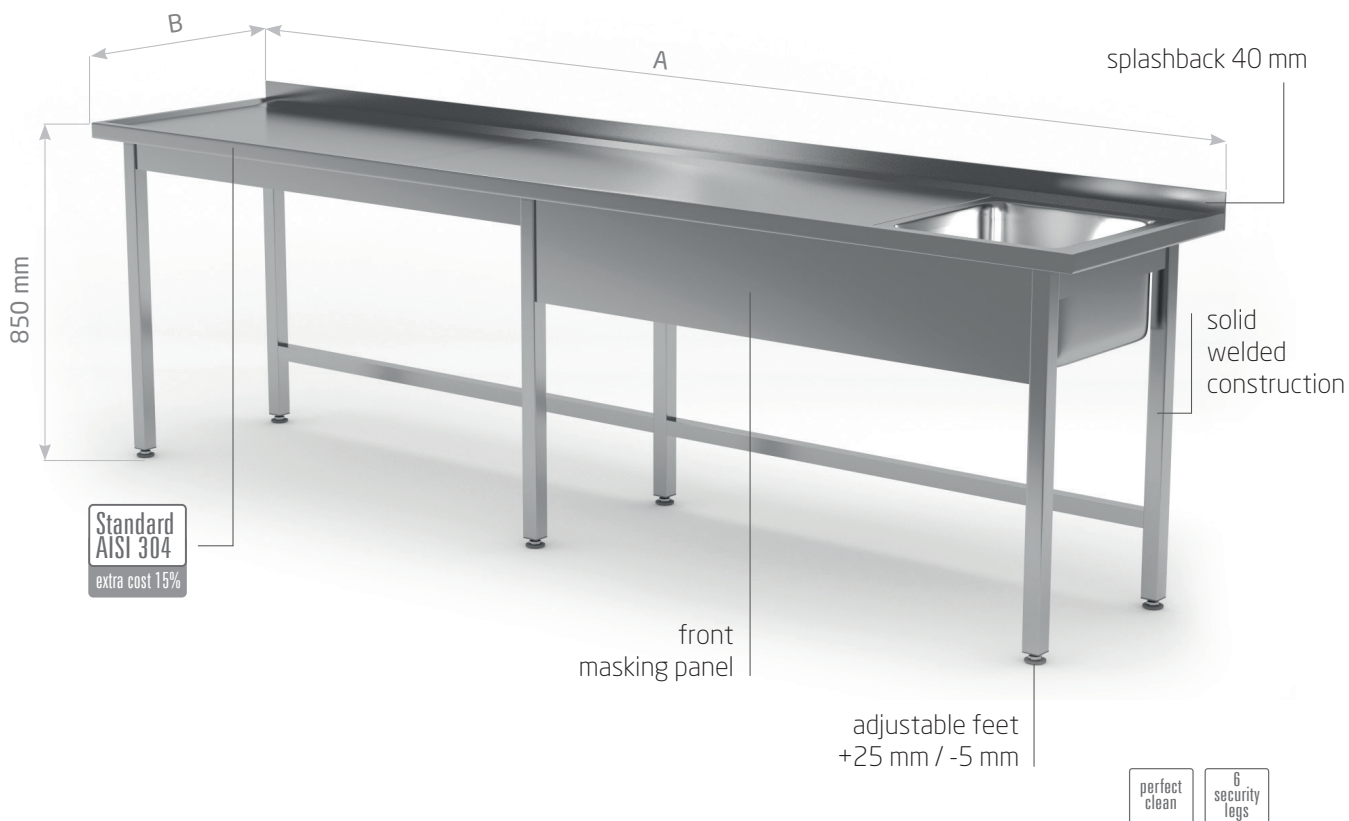
POL-211-L

### Sink on right side



POL-211-P

A mm	B = 600 mm			B = 700 mm			B = 600 mm			B = 700 mm		
	sink 400x400x(h)250 mm			sink 400x400x(h)250 mm			sink 400x400x(h)250 mm			sink 400x400x(h)250 mm		
	code	weight kg	price €	code	weight kg	price €	code	weight kg	price €	code	weight kg	price €
800	211086-L	21	644,-	211087-L	23	670,-	211086-P	21	644,-	211087-P	23	670,-
900	211096-L	22	670,-	211097-L	24	695,-	211096-P	22	670,-	211097-P	24	695,-
1000	211106-L	23	695,-	211107-L	25	723,-	211106-P	23	695,-	211107-P	25	723,-
1100	211116-L	24	720,-	211117-L	26	752,-	211116-P	24	720,-	211117-P	26	752,-
1200	211126-L	25	745,-	211127-L	28	776,-	211126-P	25	745,-	211127-P	28	776,-
1300	211136-L	26	771,-	211137-L	29	806,-	211136-P	26	771,-	211137-P	29	806,-
1400	211146-L	28	796,-	211147-L	30	834,-	211146-P	28	796,-	211147-P	30	834,-
1500	211156-L	29	821,-	211157-L	31	860,-	211156-P	29	821,-	211157-P	31	860,-
1600	211166-L	30	846,-	211167-L	33	888,-	211166-P	30	846,-	211167-P	33	888,-
1700	211176-L	31	871,-	211177-L	34	913,-	211176-P	31	871,-	211177-P	34	913,-
1800	211186-L	32	897,-	211187-L	35	941,-	211186-P	32	897,-	211187-P	35	941,-
1900	211196-L	33	922,-	211197-L	36	968,-	211196-P	33	922,-	211197-P	36	968,-



## Table with sink without shelf

- tap hole Ø35 mm – by special request
- cutting out a hole for a waste disposal unit is possible  
– optional extra 49 €

### Sink on left side



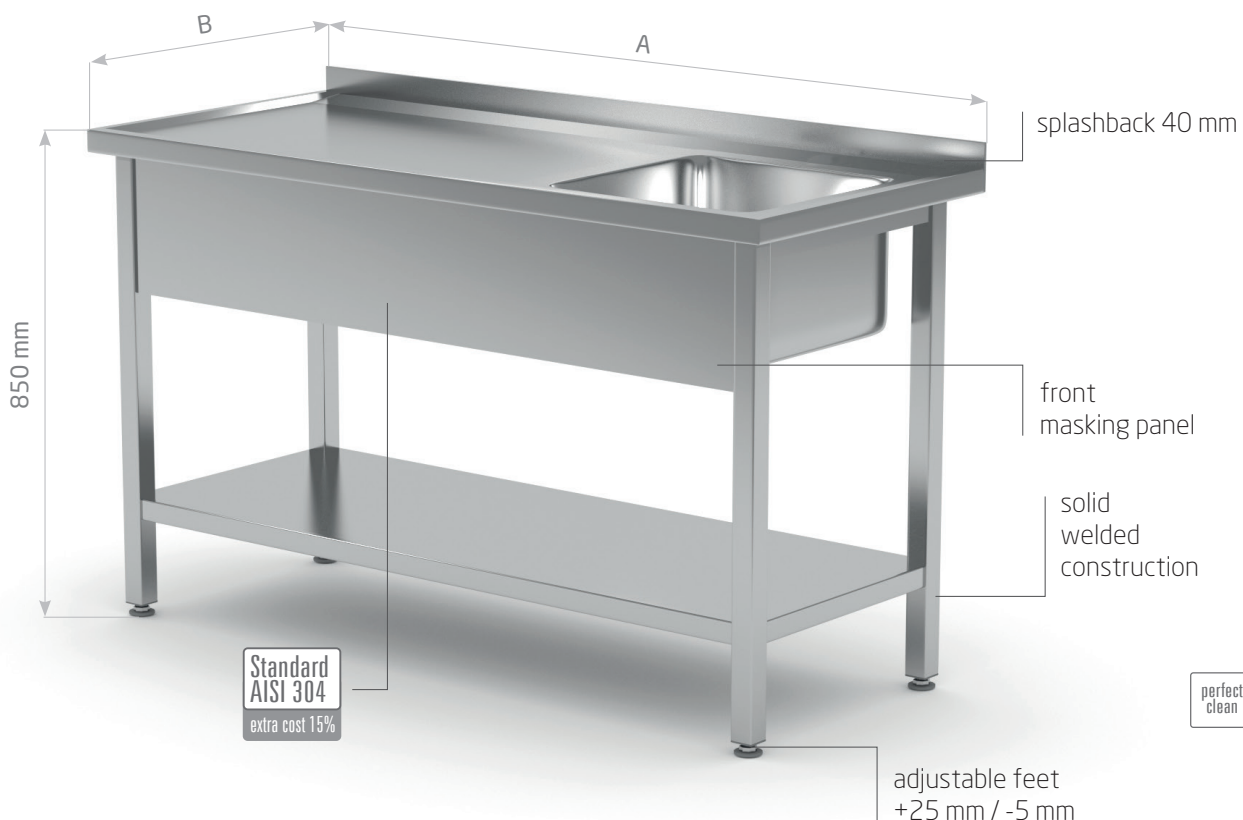
POL-211-6-L

### Sink on right side



POL-211-6-P

A mm	B = 600 mm			B = 700 mm			B = 600 mm			B = 700 mm		
	sink 400x400x(h)250 mm			sink 400x400x(h)250 mm			sink 400x400x(h)250 mm			sink 400x400x(h)250 mm		
	code	weight kg	price €	code	weight kg	price €	code	weight kg	price €	code	weight kg	price €
2000	211206-6-L	37	1 062,-	211207-6-L	41	1 112,-	211206-6-P	37	1 062,-	211207-6-P	41	1 112,-
2100	211216-6-L	38	1 089,-	211217-6-L	42	1 143,-	211216-6-P	38	1 089,-	211217-6-P	42	1 143,-
2200	211226-6-L	39	1 114,-	211227-6-L	43	1 174,-	211226-6-P	39	1 114,-	211226-6-P	39	1 114,-
2300	211236-6-L	40	1 139,-	211237-6-L	44	1 205,-	211236-6-P	40	1 139,-	211237-6-P	44	1 205,-
2400	211246-6-L	41	1 164,-	211247-6-L	45	1 234,-	211246-6-P	41	1 164,-	211247-6-P	45	1 234,-
2500	211256-6-L	42	1 189,-	211257-6-L	46	1 265,-	211256-6-P	42	1 189,-	211257-6-P	46	1 265,-
2600	211266-6-L	43	1 216,-	211267-6-L	47	1 296,-	211266-6-P	43	1 216,-	211267-6-P	47	1 296,-
2700	211276-6-L	44	1 241,-	211277-6-L	48	1 327,-	211276-6-P	44	1 241,-	211277-6-P	48	1 327,-
2800	211286-6-L	45	1 267,-	211287-6-L	49	1 358,-	211286-6-P	45	1 267,-	211287-6-P	49	1 358,-



## Table with sink and undershelf

- tap hole Ø35 mm – by special request
- cutting out a hole for a waste disposal unit is possible  
– optional extra 49 €

### Sink on left side



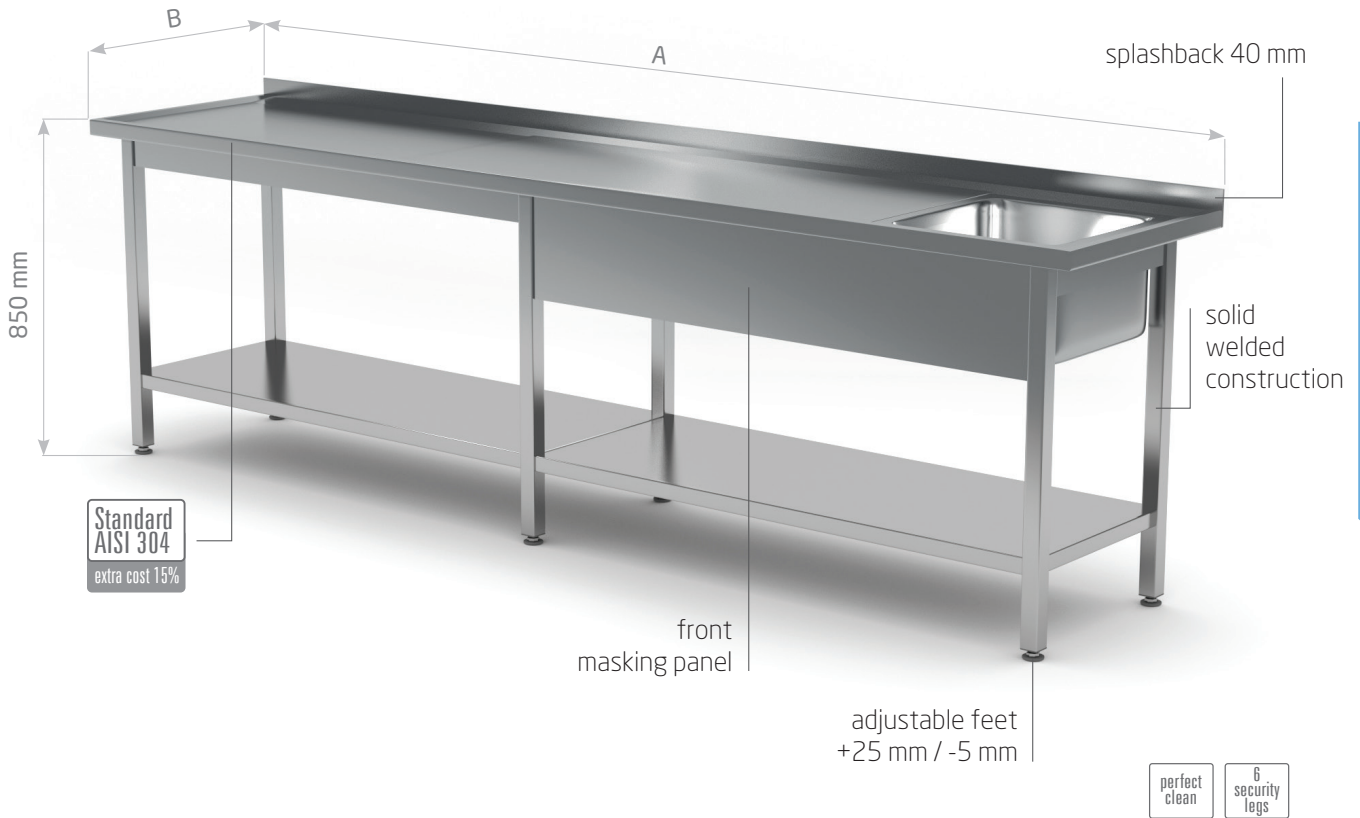
POL-212-L

### Sink on right side



POL-212-P

A mm	B = 600 mm			B = 700 mm			B = 600 mm			B = 700 mm		
	sink 400x400x(h)250 mm			sink 400x400x(h)250 mm			sink 400x400x(h)250 mm			sink 400x400x(h)250 mm		
	code	weight kg	price €	code	weight kg	price €	code	weight kg	price €	code	weight kg	price €
800	212086-L	25	698,-	212087-L	28	730,-	212086-P	25	698,-	212087-P	28	730,-
900	212096-L	27	730,-	212097-L	30	765,-	212096-P	27	730,-	212097-P	30	765,-
1000	212106-L	29	758,-	212107-L	31	799,-	212106-P	29	758,-	212107-P	31	799,-
1100	212116-L	30	790,-	212117-L	33	834,-	212116-P	30	790,-	212117-P	33	834,-
1200	212126-L	32	821,-	212127-L	35	869,-	212126-P	32	821,-	212127-P	35	869,-
1300	212136-L	34	853,-	212137-L	37	902,-	212136-P	34	853,-	212137-P	37	902,-
1400	212146-L	35	884,-	212147-L	39	937,-	212146-P	35	884,-	212147-P	39	937,-
1500	212156-L	37	916,-	212157-L	41	972,-	212156-P	37	916,-	212157-P	41	972,-
1600	212166-L	39	947,-	212167-L	43	1 007,-	212166-P	39	947,-	212167-P	43	1 007,-
1700	212176-L	40	979,-	212177-L	44	1 040,-	212176-P	40	979,-	212177-P	44	1 040,-
1800	212186-L	42	1 010,-	212187-L	46	1 073,-	212186-P	42	1 010,-	212187-P	46	1 073,-
1900	212196-L	44	1 042,-	212197-L	48	1 110,-	212196-P	44	1 042,-	212197-P	48	1 110,-



## Table with sink and undershelf

- tap hole Ø35 mm – by special request
- cutting out a hole for a waste disposal unit is possible  
- optional extra 49 €

### Sink on left side



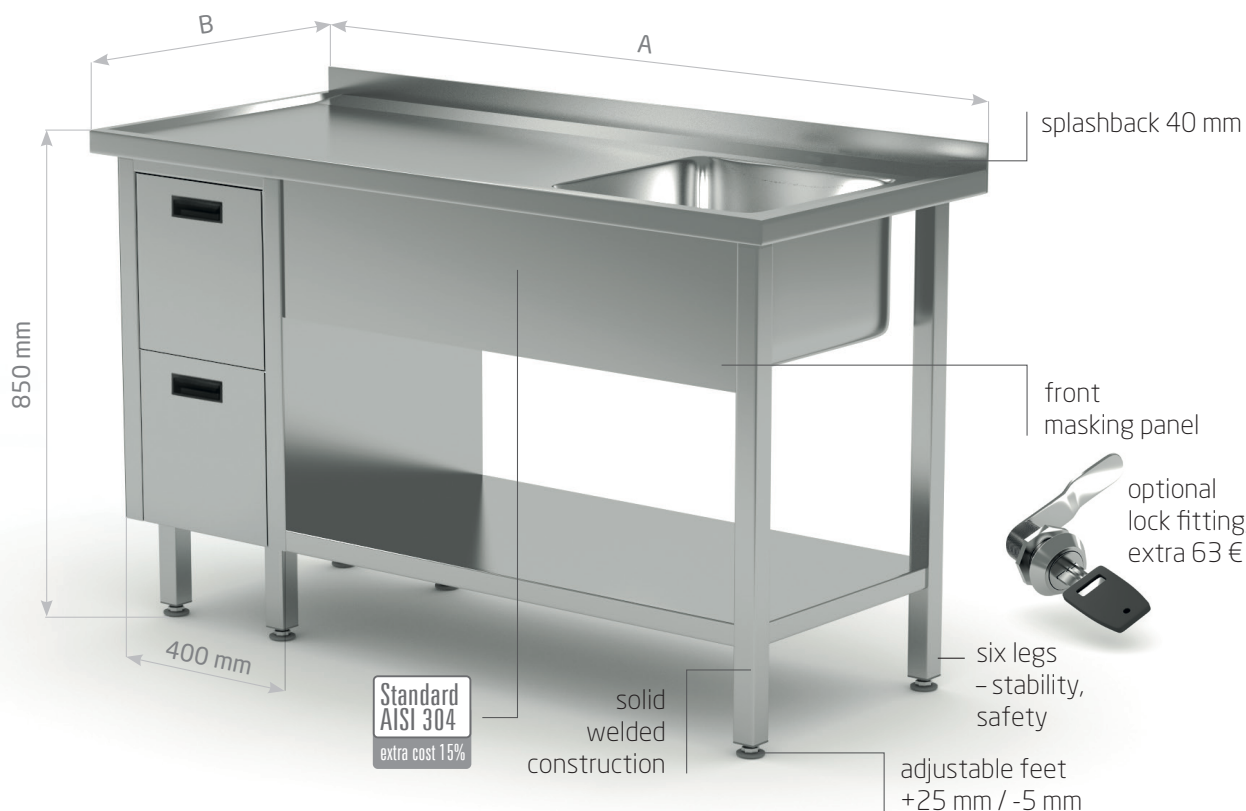
POL-212-6-L

### Sink on right side



POL-212-6-P

A mm	B = 600 mm			B = 700 mm			B = 600 mm			B = 700 mm		
	sink 400x400x(h)250 mm			sink 400x400x(h)250 mm			sink 400x400x(h)250 mm			sink 400x400x(h)250 mm		
	code	weight kg	price €	code	weight kg	price €	code	weight kg	price €	code	weight kg	price €
2000	212206-6-L	46	1 189,-	212207-6-L	50	1 261,-	212206-6-P	46	1 189,-	212207-6-P	50	1 261,-
2100	212216-6-L	47	1 222,-	212217-6-L	52	1 299,-	212216-6-P	47	1 222,-	212217-6-P	52	1 299,-
2200	212226-6-L	49	1 254,-	212227-6-L	54	1 337,-	212226-6-P	49	1 254,-	212227-6-P	54	1 337,-
2300	212236-6-L	51	1 286,-	212237-6-L	55	1 373,-	212236-6-P	51	1 286,-	212237-6-P	55	1 373,-
2400	212246-6-L	52	1 318,-	212247-6-L	57	1 411,-	212246-6-P	52	1 318,-	212247-6-P	57	1 411,-
2500	212256-6-L	54	1 351,-	212257-6-L	59	1 449,-	212256-6-P	54	1 351,-	212257-6-P	59	1 449,-
2600	212266-6-L	55	1 384,-	212267-6-L	61	1 486,-	212266-6-P	55	1 384,-	212267-6-P	61	1 486,-
2700	212276-6-L	57	1 416,-	212277-6-L	63	1 524,-	212276-6-P	57	1 416,-	212277-6-P	63	1 524,-
2800	212286-6-L	58	1 449,-	212287-6-L	64	1 561,-	212286-6-P	58	1 449,-	212287-6-P	64	1 561,-



# Table with sink, undershelf and two drawers

perfect clean 6 security legs

- tap hole Ø35 mm – by special request
- cutting out a hole for a waste disposal unit is possible – optional extra 49 €
- drawer depth 250 mm

## Sink on left side



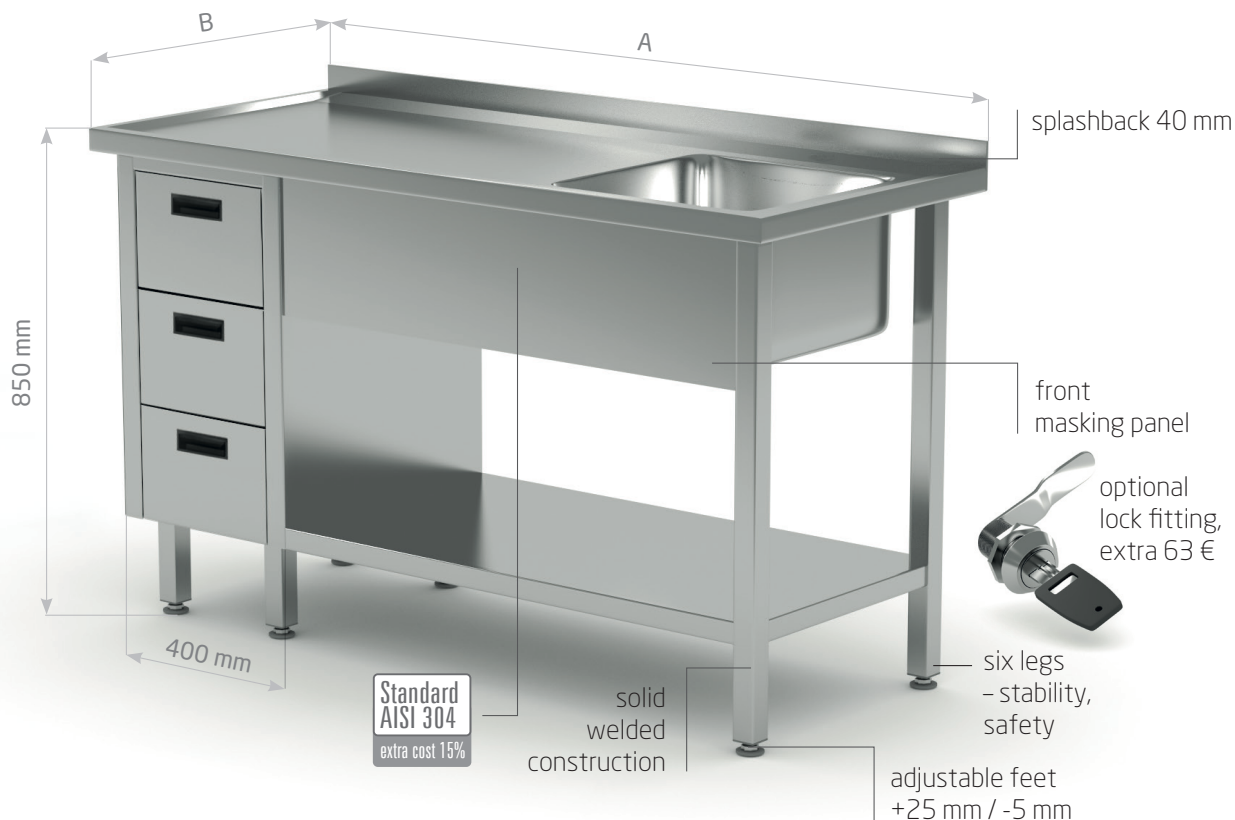
POL-215-L

## Sink on right side



POL-215-P

A mm	B = 600 mm			B = 700 mm			B = 600 mm			B = 700 mm		
	sink 400x400x(h)250 mm			sink 400x400x(h)250 mm			sink 400x400x(h)250 mm			sink 400x400x(h)250 mm		
	code	weight kg	price €	code	weight kg	price €	code	weight kg	price €	code	weight kg	price €
1000	215106-L	43	1 282,-	215107-L	50	1 360,-	215106-P	43	1 282,-	215107-P	50	1 360,-
1100	215116-L	44	1 314,-	215117-L	52	1 395,-	215116-P	44	1 314,-	215117-P	52	1 395,-
1200	215126-L	46	1 345,-	215127-L	54	1 430,-	215126-P	46	1 345,-	215127-P	54	1 430,-
1300	215136-L	48	1 377,-	215137-L	56	1 464,-	215136-P	48	1 377,-	215137-P	56	1 464,-
1400	215146-L	51	1 408,-	215147-L	58	1 499,-	215146-P	51	1 408,-	215147-P	58	1 499,-
1500	215156-L	53	1 440,-	215157-L	60	1 534,-	215156-P	53	1 440,-	215157-P	60	1 534,-
1600	215166-L	54	1 471,-	215167-L	62	1 569,-	215166-P	54	1 471,-	215167-P	62	1 569,-
1700	215176-L	56	1 503,-	215177-L	64	1 601,-	215176-P	56	1 503,-	215177-P	64	1 601,-
1800	215186-L	58	1 534,-	215187-L	66	1 636,-	215186-P	58	1 534,-	215187-P	66	1 636,-
1900	215196-L	60	1 566,-	215197-L	68	1 670,-	215196-P	60	1 566,-	215197-P	68	1 670,-



## Table with sink, undershelf and three drawers

perfect clean 6 security legs

- tap hole Ø35 mm – by special request
- cutting out a hole for a waste disposal unit is possible – optional extra 49 €
- drawer depth 150 mm

### Sink on left side



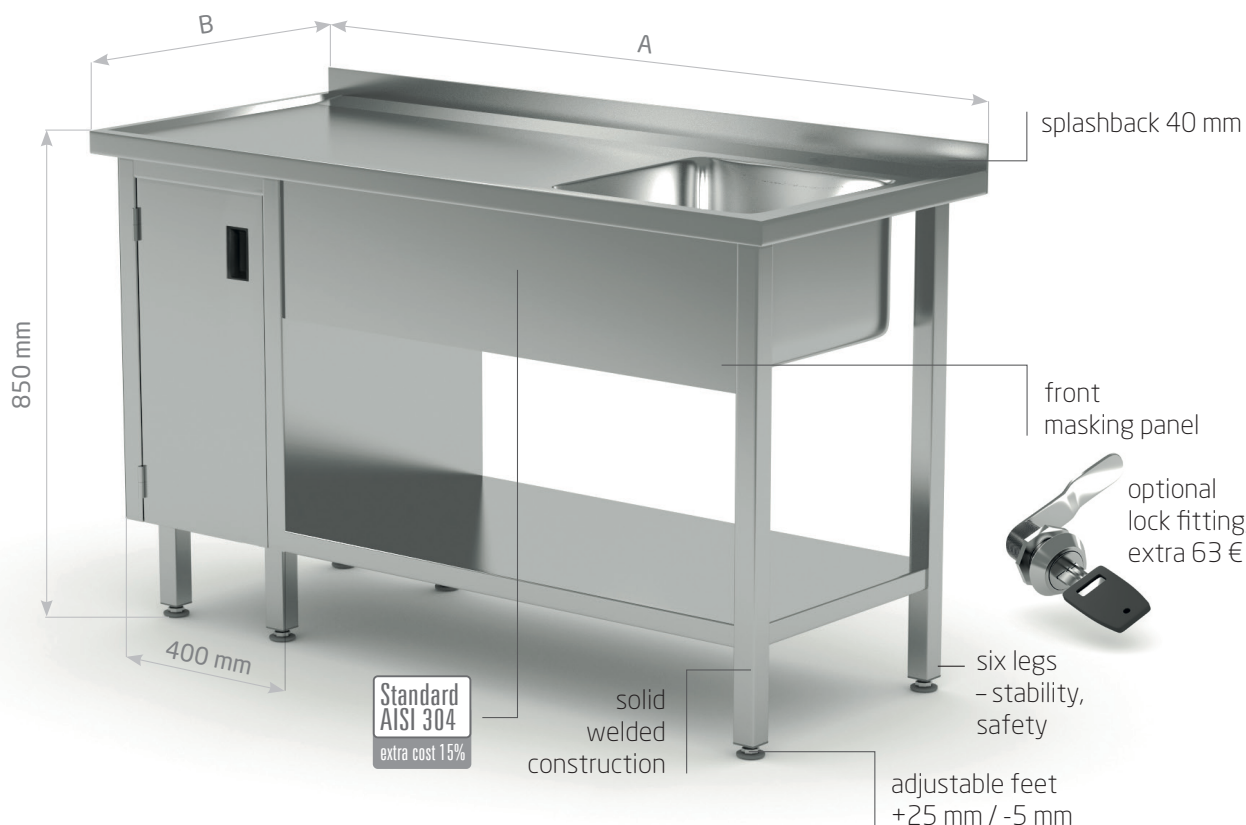
POL-215-3-L

### Sink on right side



POL-215-3-P

A mm	B = 600 mm			B = 700 mm			B = 600 mm			B = 700 mm		
	sink 400x400x(h)250 mm			sink 400x400x(h)250 mm			sink 400x400x(h)250 mm			sink 400x400x(h)250 mm		
	code	weight kg	price €	code	weight kg	price €	code	weight kg	price €	code	weight kg	price €
1000	215106-3-L	43	1 477,-	215107-3-L	50	1 557,-	215106-3-P	43	1 477,-	215107-3-P	50	1 557,-
1100	215116-3-L	44	1 509,-	215117-3-L	52	1 590,-	215116-3-P	44	1 509,-	215117-3-P	52	1 590,-
1200	215126-3-L	46	1 540,-	215127-3-L	54	1 625,-	215126-3-P	46	1 540,-	215127-3-P	54	1 625,-
1300	215136-3-L	48	1 572,-	215137-3-L	56	1 659,-	215136-3-P	48	1 572,-	215137-3-P	56	1 659,-
1400	215146-3-L	51	1 603,-	215147-3-L	58	1 695,-	215146-3-P	51	1 603,-	215147-3-P	58	1 695,-
1500	215156-3-L	53	1 635,-	215157-3-L	60	1 729,-	215156-3-P	53	1 635,-	215157-3-P	60	1 729,-
1600	215166-3-L	54	1 666,-	215167-3-L	62	1 764,-	215166-3-P	54	1 666,-	215167-3-P	62	1 764,-
1700	215176-3-L	56	1 698,-	215177-3-L	64	1 796,-	215176-3-P	56	1 698,-	215177-3-P	64	1 796,-
1800	215186-3-L	58	1 729,-	215187-3-L	66	1 831,-	215186-3-P	58	1 729,-	215187-3-P	66	1 831,-
1900	215196-3-L	60	1 761,-	215197-3-L	68	1 865,-	215196-3-P	60	1 761,-	215197-3-P	68	1 865,-



## Table with sink, undershelf and cabinet with hinged door

perfect clean magnetix 6 security legs

- tap hole Ø35 mm – by special request
- cutting out a hole for a waste disposal unit is possible – optional extra 49 €
- internal shelf easily removable

### Sink on left side



POL-216-L

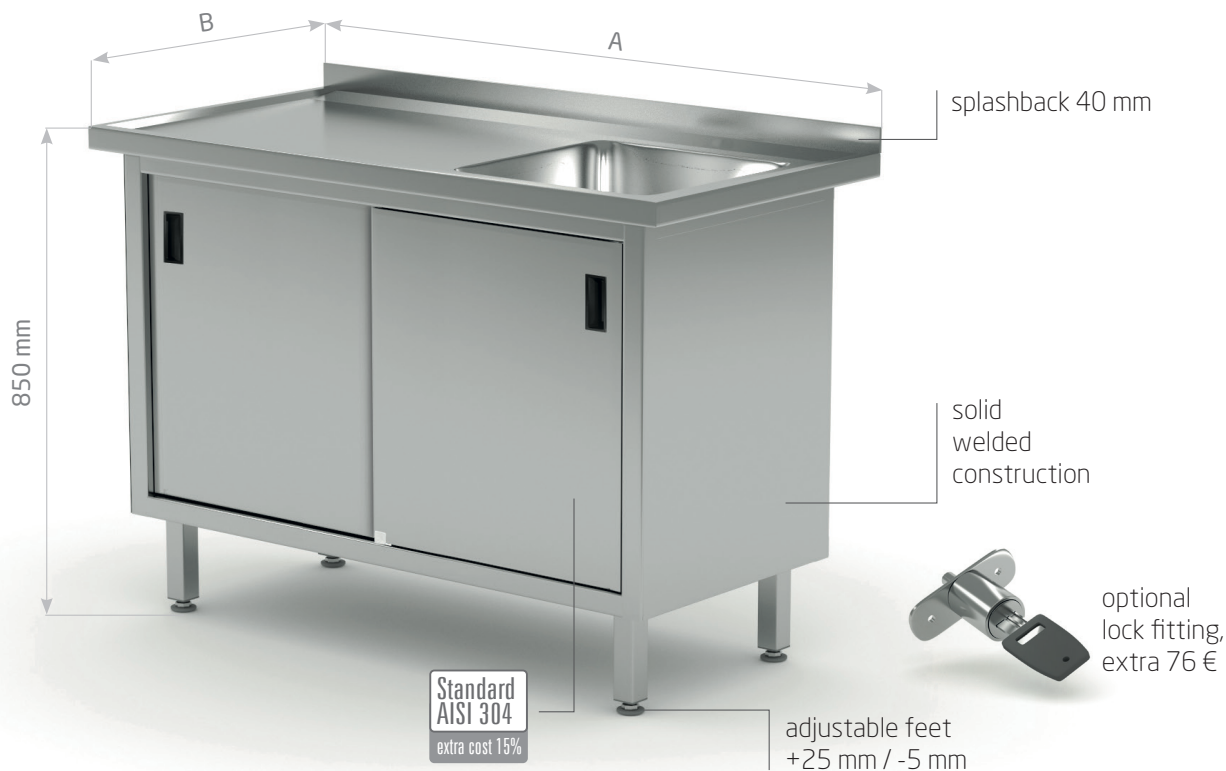
### Sink on right side



POL-216-P

A mm	B = 600 mm			B = 700 mm			B = 600 mm			B = 700 mm		
	sink 400x400x(h)250 mm			sink 400x400x(h)250 mm			sink 400x400x(h)250 mm			sink 400x400x(h)250 mm		
	code	weight kg	price €	code	weight kg	price €	code	weight kg	price €	code	weight kg	price €
1000	216106-L	36	1 163,-	216107-L	41	1 222,-	216106-P	36	1 163,-	216107-P	41	1 222,-
1100	216116-L	38	1 194,-	216117-L	43	1 257,-	216116-P	38	1 194,-	216117-P	43	1 257,-
1200	216126-L	39	1 226,-	216127-L	45	1 292,-	216126-P	39	1 226,-	216127-P	45	1 292,-
1300	216136-L	41	1 257,-	216137-L	47	1 327,-	216136-P	41	1 257,-	216137-P	47	1 327,-
1400	216146-L	44	1 288,-	216147-L	49	1 360,-	216146-P	44	1 288,-	216147-P	49	1 360,-
1500	216156-L	46	1 320,-	216157-L	51	1 395,-	216156-P	46	1 320,-	216157-P	51	1 395,-
1600	216166-L	47	1 351,-	216167-L	53	1 430,-	216166-P	47	1 351,-	216167-P	53	1 430,-
1700	216176-L	49	1 383,-	216177-L	55	1 463,-	216176-P	49	1 383,-	216177-P	55	1 463,-
1800	216186-L	51	1 414,-	216187-L	58	1 498,-	216186-P	51	1 414,-	216187-P	58	1 498,-
1900	216196-L	53	1 446,-	216197-L	60	1 531,-	216196-P	53	1 446,-	216197-P	60	1 531,-





## Table with sink and cabinet with sliding doors

- tap hole Ø35 mm – by special request
- cutting out a hole for a waste disposal unit is possible – optional extra 49 €
- this cabinet is without a back wall

### Sink on left side



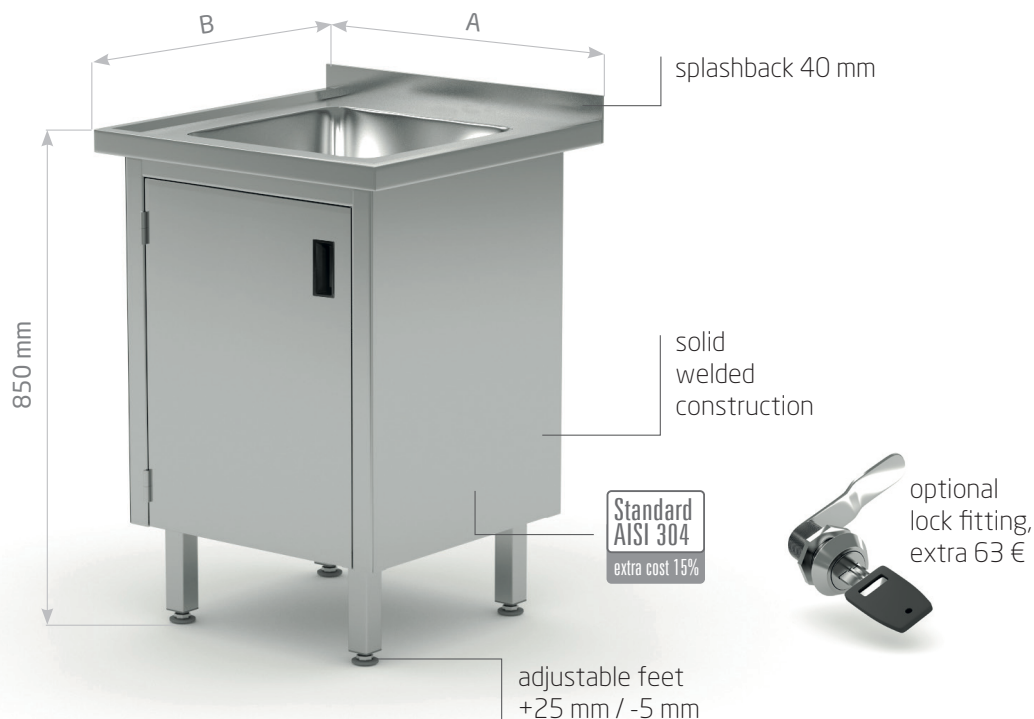
POL-217-L

### Sink on right side



POL-217-P

A mm	B = 600 mm			B = 700 mm			B = 600 mm			B = 700 mm		
	sink 400x400x(h)250 mm			sink 400x400x(h)250 mm			sink 400x400x(h)250 mm			sink 400x400x(h)250 mm		
	code	weight kg	price €	code	weight kg	price €	code	weight kg	price €	code	weight kg	price €
800	217086-L	35	1 068,-	217087-L	38	1 131,-	217086-P	35	1 068,-	217087-P	38	1 131,-
900	217096-L	38	1 110,-	217097-L	40	1 174,-	217096-P	38	1 110,-	217097-P	40	1 174,-
1000	217106-L	40	1 146,-	217107-L	43	1 216,-	217106-P	40	1 146,-	217107-P	43	1 216,-
1100	217116-L	43	1 188,-	217117-L	46	1 257,-	217116-P	43	1 188,-	217117-P	46	1 257,-
1200	217126-L	46	1 226,-	217127-L	49	1 302,-	217126-P	46	1 226,-	217127-P	49	1 302,-
1300	217136-L	49	1 264,-	217137-L	52	1 342,-	217136-P	49	1 264,-	217137-P	52	1 342,-
1400	217146-L	51	1 304,-	217147-L	55	1 387,-	217146-P	51	1 304,-	217147-P	55	1 387,-
1500	217156-L	54	1 342,-	217157-L	58	1 428,-	217156-P	54	1 342,-	217157-P	58	1 428,-
1600	217166-L	57	1 380,-	217167-L	61	1 468,-	217166-P	57	1 380,-	217167-P	61	1 468,-
1700	217176-L	60	1 422,-	217177-L	64	1 513,-	217176-P	60	1 422,-	217177-P	64	1 513,-
1800	217186-L	62	1 460,-	217187-L	67	1 552,-	217186-P	62	1 460,-	217187-P	67	1 552,-
1900	217196-L	65	1 498,-	217197-L	70	1 594,-	217196-P	65	1 498,-	217197-P	70	1 594,-



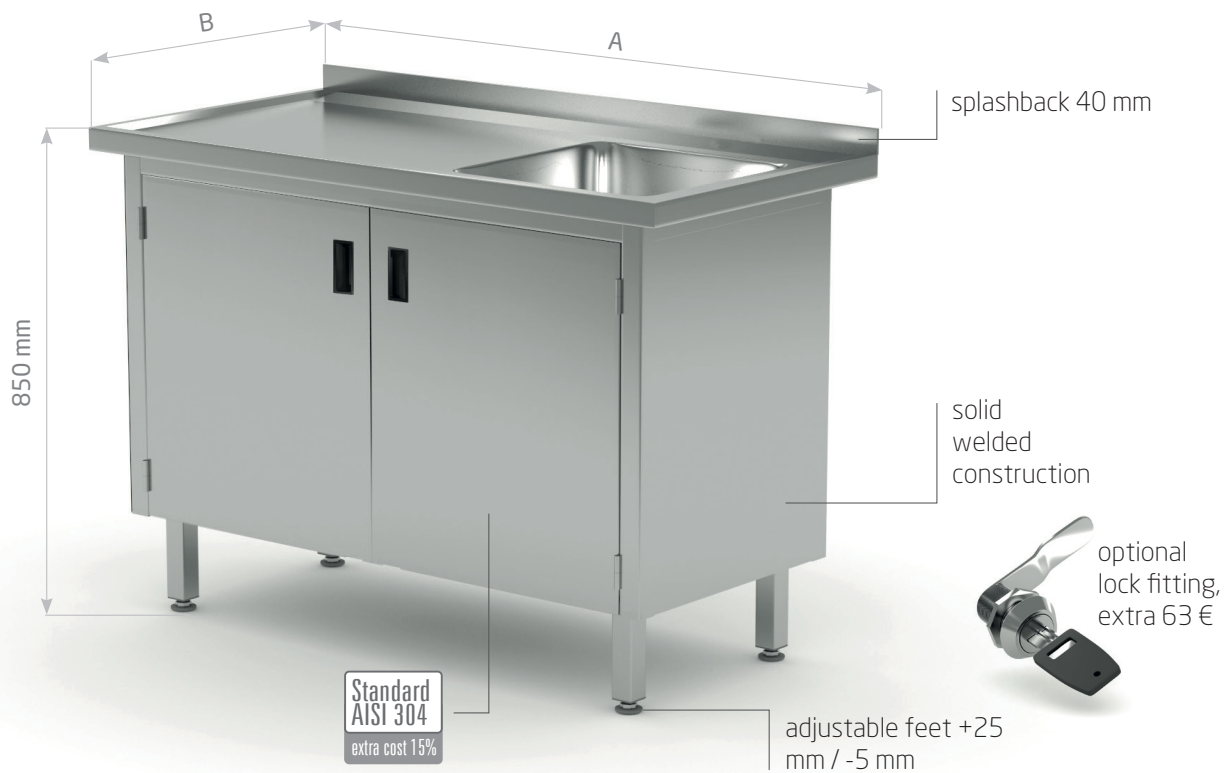
## Table with sink and cabinet with hinged door

- tap hole Ø35 mm - by special request
- cutting out a hole for a waste disposal unit is possible  
- optional extra 49 €
- this cabinet is without a back wall



POL-218-1

A mm	B = 600 mm			B = 700 mm		
	sink 400x400x(h)250 mm			sink 400x400x(h)250 mm		
	code	weight kg	price €	code	weight kg	price €
500	218056-1	28	863,-	218057-1	30	901,-
600	218066-1	31	926,-	218067-1	33	964,-



magnetix

## Table with sink and cabinet with hinged doors

- tap hole Ø35 mm - by special request
- cutting out a hole for a waste disposal unit is possible - optional extra 49 €
- this cabinet is without a back wall

### Sink on left side



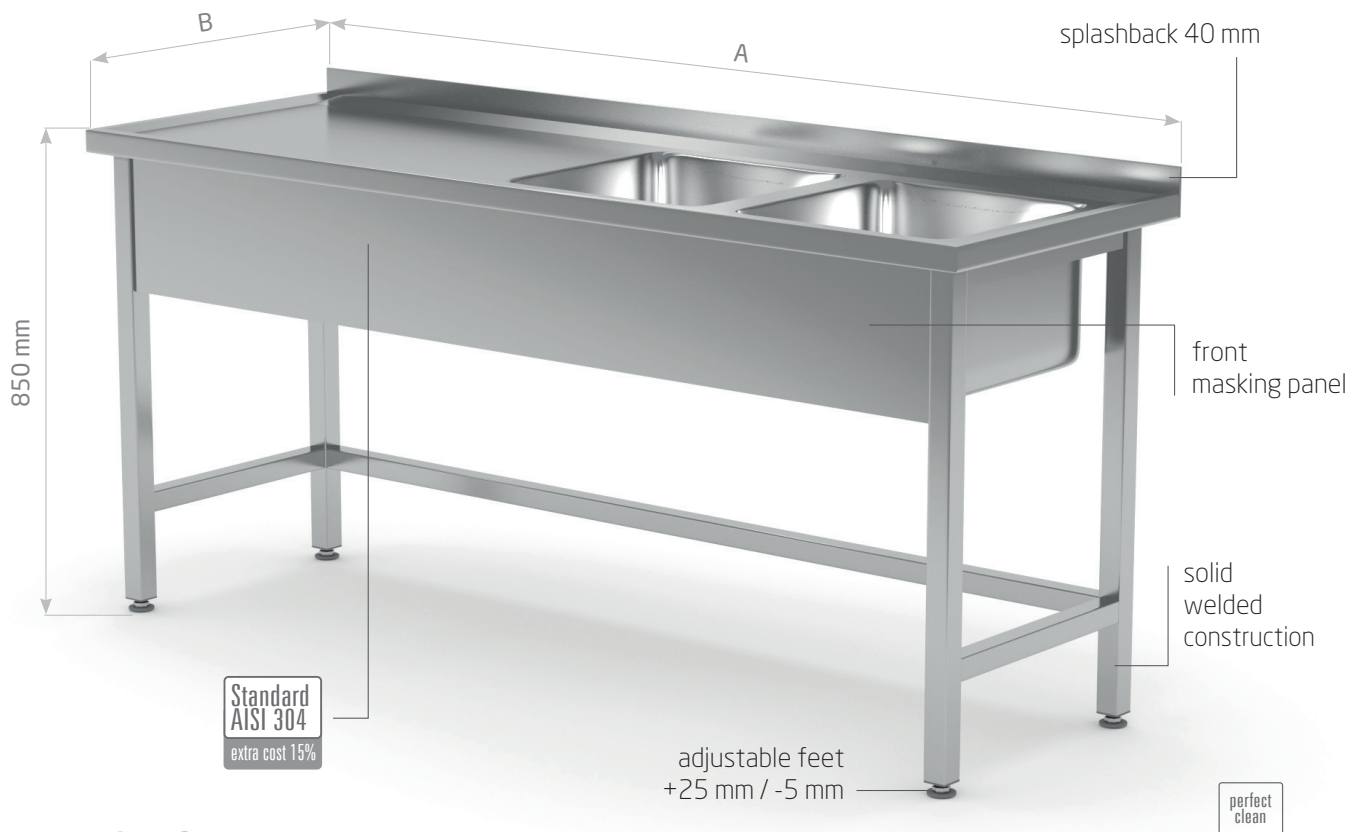
### Sink on right side



POL-218-L

POL-218-P

A mm	B = 600 mm			B = 700 mm			B = 600 mm			B = 700 mm		
	sink 400x400x(h)250 mm			sink 400x400x(h)250 mm			sink 400x400x(h)250 mm			sink 400x400x(h)250 mm		
	code	weight kg	price €	code	weight kg	price €	code	weight kg	price €	code	weight kg	price €
700	218076-L	34	985,-	218077-L	37	1 033,-	218076-P	34	985,-	218077-P	37	1 033,-
800	218086-L	38	1 035,-	218087-L	40	1 083,-	218086-P	38	1 035,-	218087-P	40	1 083,-
900	218096-L	41	1 086,-	218097-L	44	1 133,-	218096-P	41	1 086,-	218097-P	44	1 133,-
1000	218106-L	44	1 133,-	218107-L	47	1 188,-	218106-P	44	1 133,-	218107-P	47	1 188,-
1100	218116-L	47	1 184,-	218117-L	51	1 241,-	218116-P	47	1 184,-	218117-P	51	1 241,-
1200	218126-L	51	1 234,-	218127-L	54	1 295,-	218126-P	51	1 234,-	218127-P	54	1 295,-
1300	218136-L	54	1 282,-	218137-L	57	1 345,-	218136-P	54	1 282,-	218137-P	57	1 345,-
1400	218146-L	57	1 332,-	218147-L	61	1 400,-	218146-P	57	1 332,-	218147-P	61	1 400,-
1500	218156-L	61	1 383,-	218157-L	64	1 453,-	218156-P	61	1 383,-	218157-P	64	1 453,-



## Reinforced table with two sinks without shelf

- tap hole Ø35 mm between sinks by special request
- cutting out a hole for a waste disposal unit is possible
  - optional extra 49 €, please specify which sink

### Sinks on left side



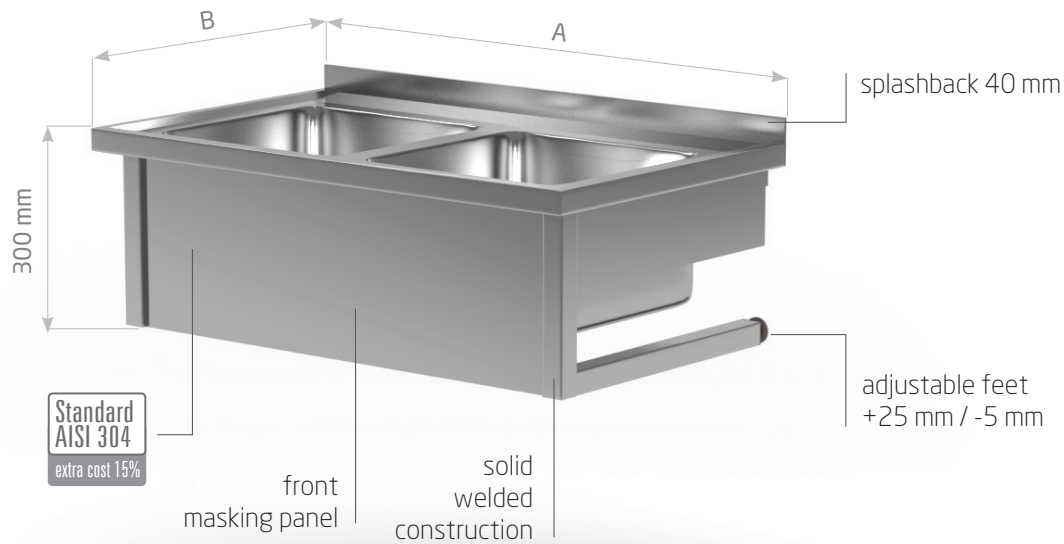
POL-220-L

### Sinks on right side



POL-220-P

A mm	B = 600 mm			B = 700 mm			B = 600 mm			B = 700 mm		
	sink 400x400x(h)250 mm			sink 400x400x(h)250 mm			sink 400x400x(h)250 mm			sink 400x400x(h)250 mm		
	code	weight kg	price €	code	weight kg	price €	code	weight kg	price €	code	weight kg	price €
1400	220146-L	30	1 006,-	220147-L	32	1 042,-	220146-P	30	1 006,-	220147-P	32	1 042,-
1500	220156-L	31	1 030,-	220157-L	33	1 069,-	220156-P	31	1 030,-	220157-P	33	1 069,-
1600	220166-L	32	1 055,-	220167-L	34	1 096,-	220166-P	32	1 055,-	220167-P	34	1 096,-
1700	220176-L	33	1 082,-	220177-L	36	1 121,-	220176-P	33	1 082,-	220177-P	36	1 121,-
1800	220186-L	34	1 105,-	220187-L	37	1 149,-	220186-P	34	1 105,-	220187-P	37	1 149,-
1900	220196-L	35	1 132,-	220197-L	38	1 178,-	220196-P	35	1 132,-	220197-P	38	1 178,-



perfect clean

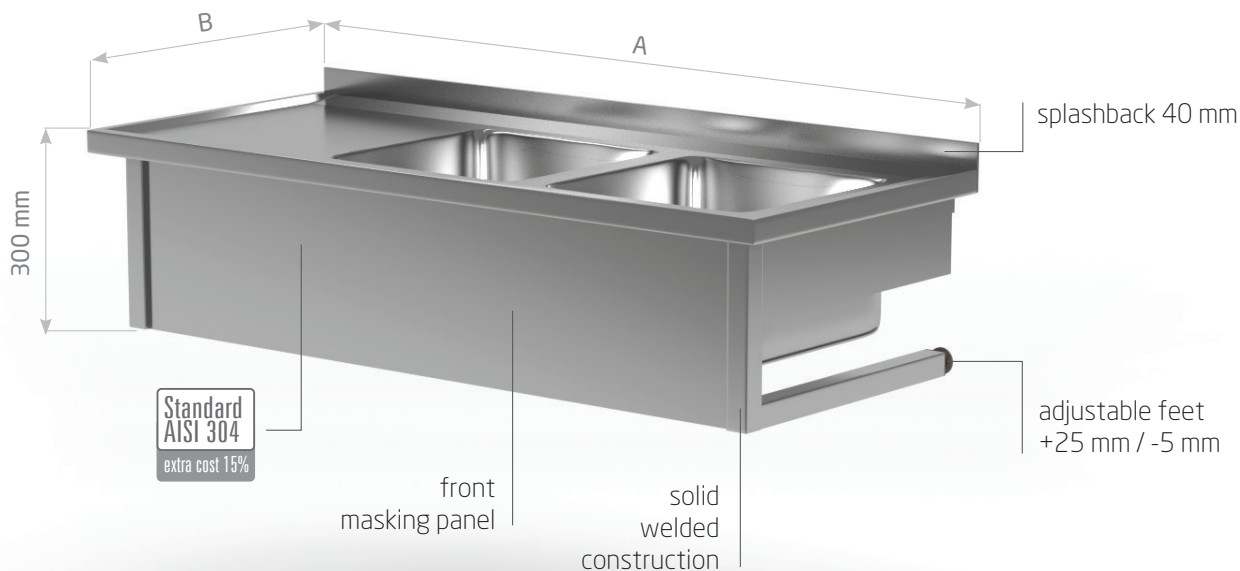
## Wall mounted table with two sinks

- top hole  $\varnothing$  35 mm between sinks – by special request
- cutting out a hole for a waste disposal unit is possible  
– optional extra 49 €
- enabling wall mounting



POL-221-WI

A mm	B = 600 mm			B = 700 mm		
	sink 400x400x(h)250 mm			sink 400x400x(h)250 mm		
	code	weight kg	price €	code	weight kg	price €
1000	221106-WI	24	794,-	221107-WI	26	821,-

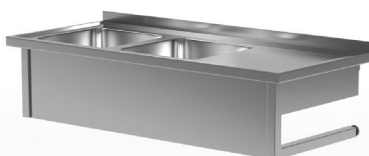


perfect clean

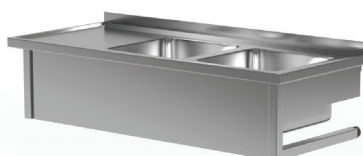
## Wall mounted table with two sinks

- top hole Ø 35 mm between sinks – by special request
- cutting out a hole for a waste disposal unit is possible  
– optional extra 49 €
- enabling wall mounting

### Sinks on left side



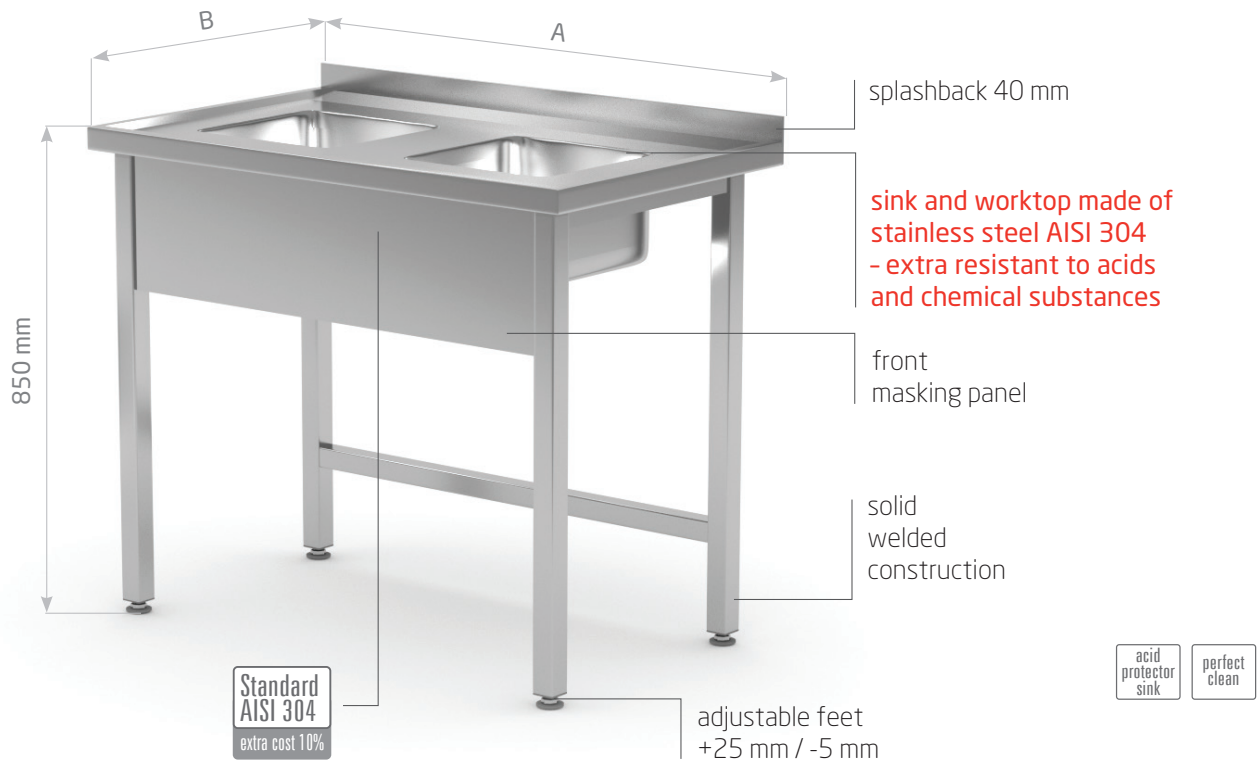
### Sinks on right side



POL-221-WI-L

POL-221-WI-P

A mm	B = 600 mm			B = 700 mm			B = 600 mm			B = 700 mm		
	sink 400x400x(h)250 mm			sink 400x400x(h)250 mm			sink 400x400x(h)250 mm			sink 400x400x(h)250 mm		
	code	weight kg	price €	code	weight kg	price €	code	weight kg	price €	code	weight kg	price €
1100	221116-WI-L	25	820,-	221117-WI-L	27	849,-	221116-WI-P	25	820,-	221117-WI-P	27	849,-
1200	221126-WI-L	26	843,-	221127-WI-L	28	876,-	221126-WI-P	26	843,-	221127-WI-P	28	876,-
1300	221136-WI-L	27	873,-	221137-WI-L	29	902,-	221136-WI-P	27	873,-	221137-WI-P	29	902,-
1400	221146-WI-L	28	894,-	221147-WI-L	31	926,-	221146-WI-P	28	894,-	221147-WI-P	31	926,-
1500	221156-WI-L	29	918,-	221157-WI-L	32	953,-	221156-WI-P	29	918,-	221157-WI-P	32	953,-
1600	221166-WI-L	30	941,-	221167-WI-L	33	979,-	221166-WI-P	30	941,-	221167-WI-P	33	979,-



## Table with two small sinks

- sinks and worktop made of stainless steel AISI 304
- sink size 300x325x(h)150 mm
- tap hole Ø35 mm between sinks by special request
- cutting out a hole for a waste disposal unit is possible – optional extra 49 €, please specify which sink

### Without shelf



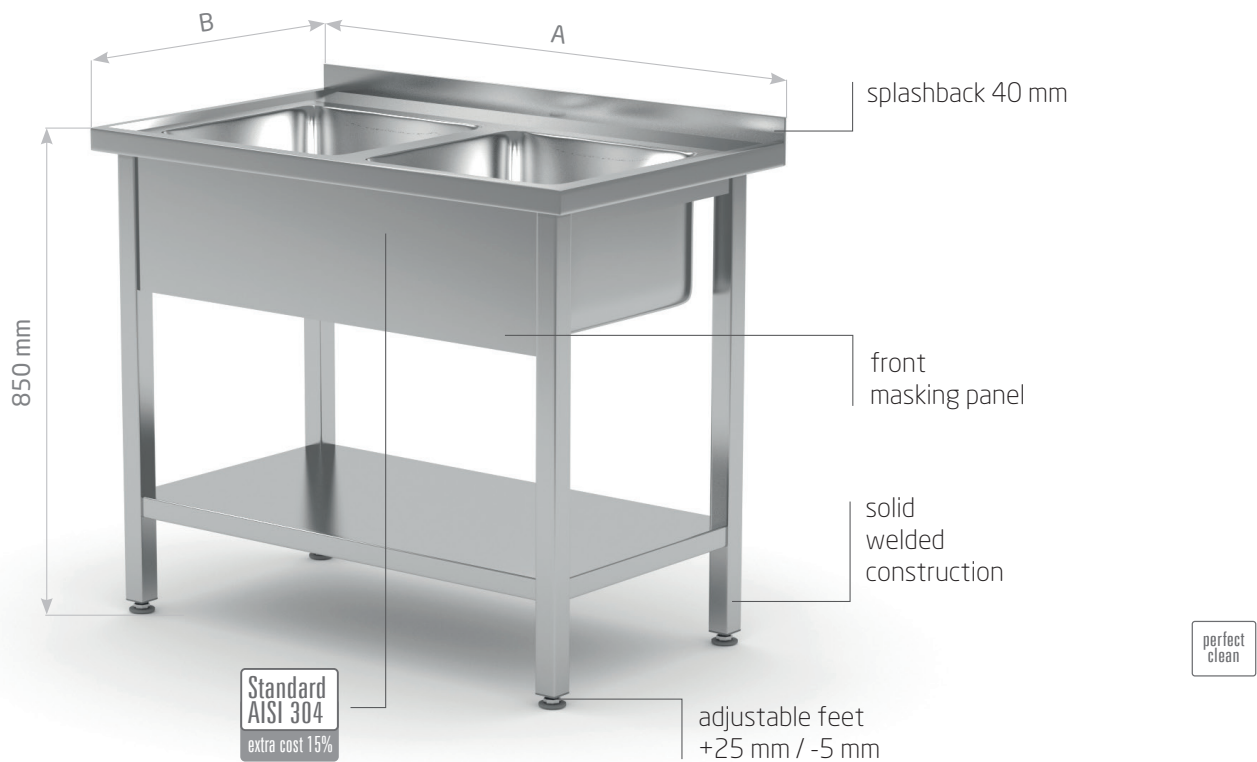
POL-221-MK

### With shelf



POL-222-MK

A mm	B = 600 mm			B = 600 mm		
	sink 300x325x(h)150 mm			sink 300x325x(h)150 mm		
	code	weight kg	price €	code	weight kg	price €
800	221086-MK	16	869,-	222086-MK	23	1 002,-
900	221096-MK	18	929,-	222096-MK	24	1 075,-



## Table with two sinks

- tap hole Ø35 mm between sinks by special request
- cutting out a hole for a waste disposal unit is possible
  - optional extra 49 €, please specify which sink

### Without shelf



POL-221

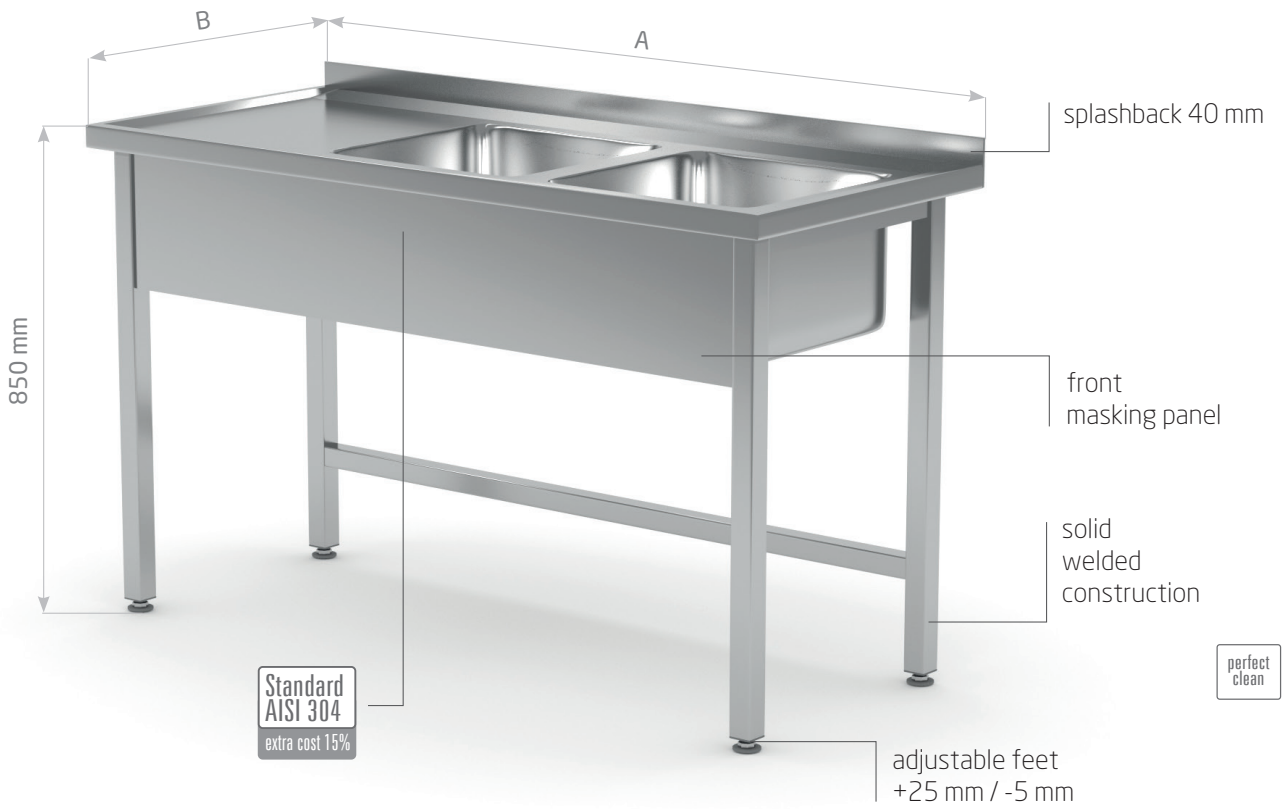
### With shelf



POL-222

A mm	B = 600 mm			B = 700 mm			B = 600 mm			B = 700 mm		
	code	weight kg	price €	code	weight kg	price €	code	weight kg	price €	code	weight kg	price €
1000	221106	27	838,-	221107	28	866,-	222106	32	970,-	222107	35	1 010,-





## Table with two sinks without shelf

- tap hole Ø35 mm between sinks by special request
- cutting out a hole for a waste disposal unit is possible
  - optional extra 49 €, please specify which sink

### Sinks on left side



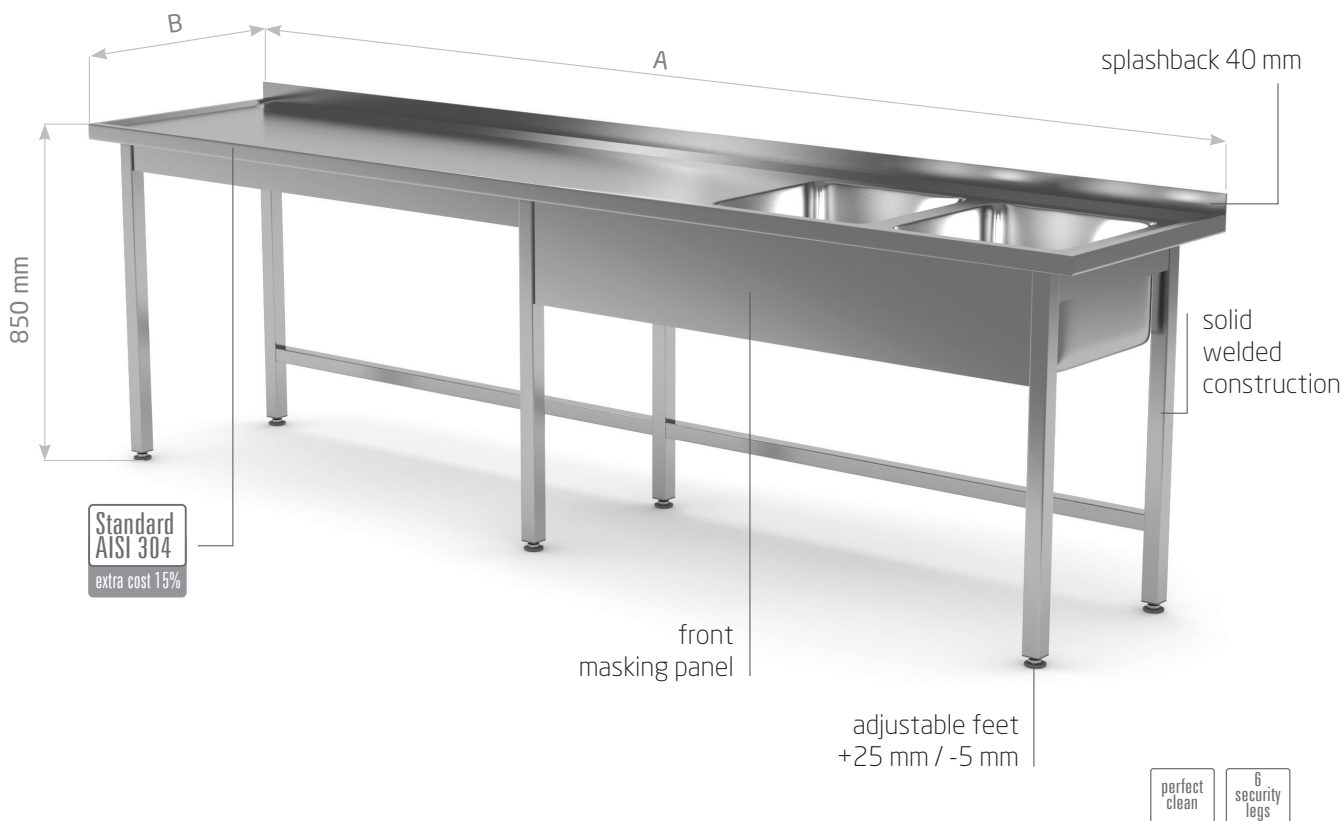
POL-221-L

### Sinks on right side



POL-221-P

A mm	B = 600 mm			B = 700 mm			B = 600 mm			B = 700 mm		
	sink 400x400x(h)250 mm			sink 400x400x(h)250 mm			sink 400x400x(h)250 mm			sink 400x400x(h)250 mm		
	code	weight kg	price €	code	weight kg	price €	code	weight kg	price €	code	weight kg	price €
1100	221116-L	28	863,-	221117-L	30	894,-	221116-P	28	863,-	221117-P	30	894,-
1200	221126-L	29	888,-	221127-L	31	922,-	221126-P	29	888,-	221127-P	31	922,-
1300	221136-L	30	919,-	221137-L	32	951,-	221136-P	30	919,-	221137-P	32	951,-
1400	221146-L	31	941,-	221147-L	33	977,-	221146-P	31	941,-	221147-P	33	977,-
1500	221156-L	32	965,-	221157-L	35	1 003,-	221156-P	32	965,-	221157-P	35	1 003,-
1600	221166-L	33	991,-	221167-L	36	1 031,-	221166-P	33	991,-	221167-P	36	1 031,-
1700	221176-L	35	1 017,-	221177-L	37	1 058,-	221176-P	35	1 017,-	221177-P	37	1 058,-
1800	221186-L	36	1 042,-	221187-L	38	1 086,-	221186-P	36	1 042,-	221187-P	38	1 086,-
1900	221196-L	37	1 068,-	221197-L	40	1 112,-	221196-P	37	1 068,-	221197-P	40	1 112,-



## Table with two sinks without shelf

- tap hole Ø35 mm between sinks by special request
- cutting out a hole for a waste disposal unit is possible  
- optional extra 49 €, please specify which sink

### Sinks on left side



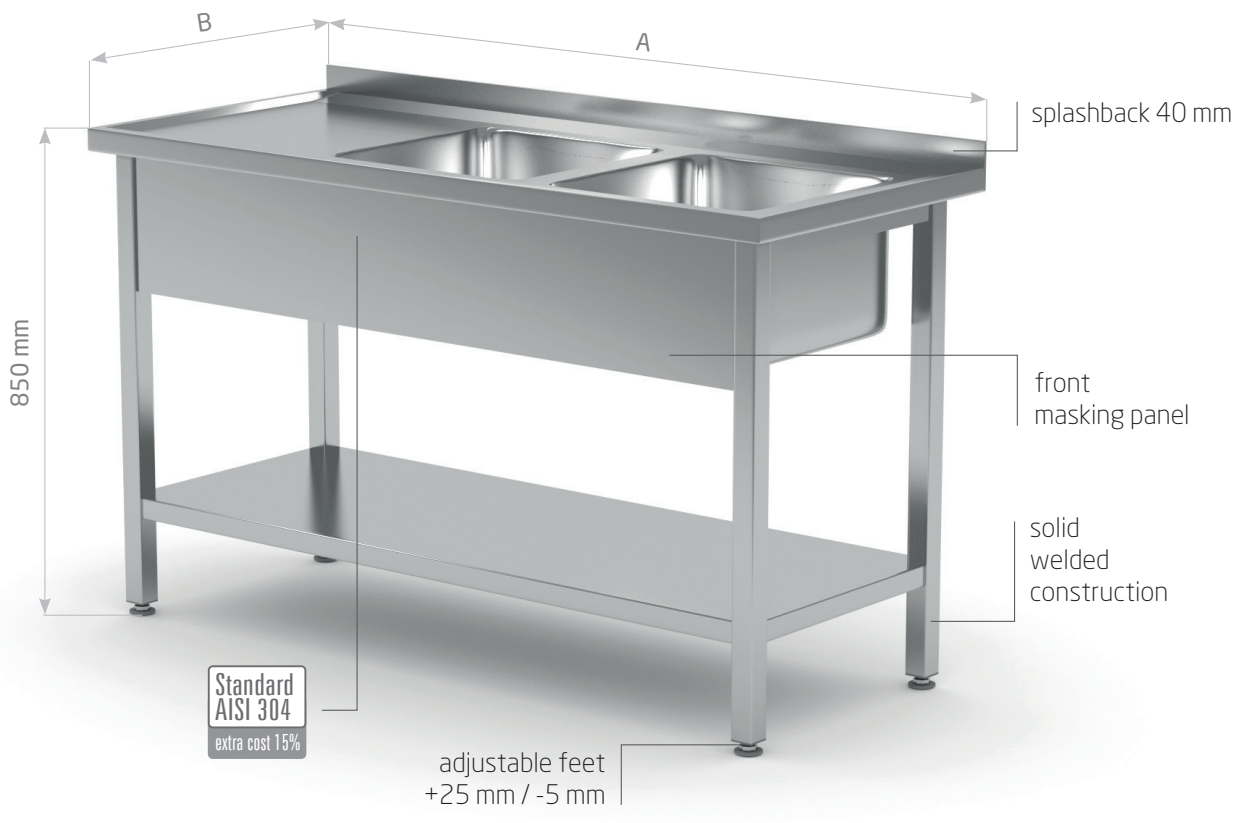
POL-221-6-L

### Sinks on right side



POL-221-6-P

A mm	B = 600 mm			B = 700 mm			B = 600 mm			B = 700 mm		
	sink 400x400x(h)250 mm			sink 400x400x(h)250 mm			sink 400x400x(h)250 mm			sink 400x400x(h)250 mm		
	code	weight kg	price €	code	weight kg	price €	code	weight kg	price €	code	weight kg	price €
2000	221206-6-L	40	1 208,-	221207-6-L	43	1 258,-	221206-6-P	40	1 208,-	221207-6-P	43	1 258,-
2100	221216-6-L	41	1 233,-	221217-6-L	44	1 288,-	221216-6-P	41	1 233,-	221217-6-P	44	1 288,-
2200	221226-6-L	42	1 258,-	221227-6-L	46	1 318,-	221226-6-P	42	1 258,-	221227-6-P	46	1 318,-
2300	221236-6-L	44	1 283,-	221237-6-L	47	1 349,-	221236-6-P	44	1 283,-	221237-6-P	47	1 349,-
2400	221246-6-L	45	1 309,-	221247-6-L	48	1 380,-	221246-6-P	45	1 309,-	221247-6-P	48	1 380,-
2500	221256-6-L	46	1 335,-	221257-6-L	50	1 411,-	221256-6-P	46	1 335,-	221257-6-P	50	1 411,-
2600	221266-6-L	47	1 360,-	221267-6-L	51	1 442,-	221266-6-P	47	1 360,-	221267-6-P	51	1 442,-
2700	221276-6-L	48	1 386,-	221277-6-L	52	1 472,-	221276-6-P	48	1 386,-	221277-6-P	52	1 472,-
2800	221286-6-L	49	1 411,-	221287-6-L	53	1 502,-	221286-6-P	49	1 411,-	221287-6-P	53	1 502,-



## Table with two sinks and undershelf

- tap hole Ø35 mm between sinks by special request
- cutting out a hole for a waste disposal unit is possible  
- optional extra 49 €, please specify which sink

### Sinks on left side



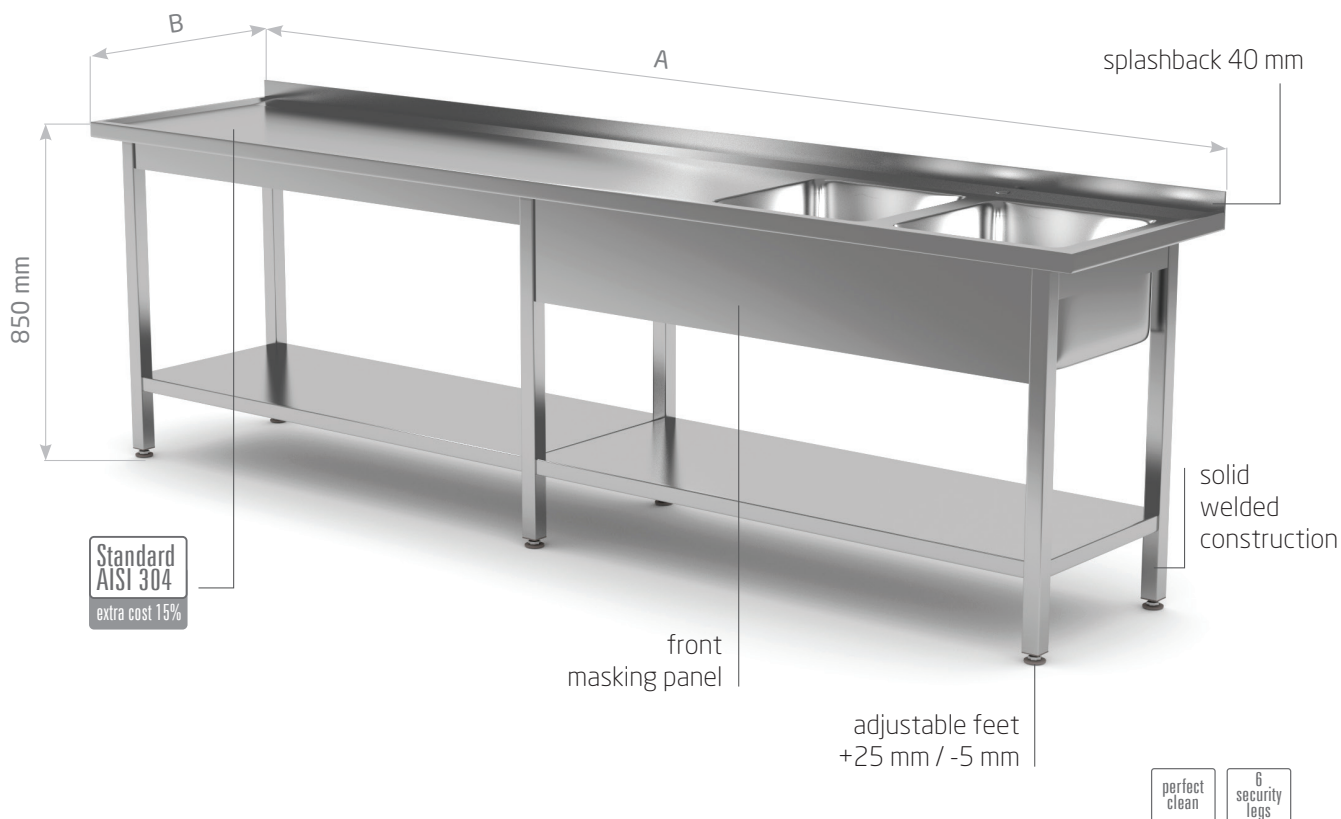
POL-222-L

### Sinks on right side



POL-222-P

A mm	B = 600 mm			B = 700 mm			B = 600 mm			B = 700 mm		
	sink 400x400x(h)250 mm			sink 400x400x(h)250 mm			sink 400x400x(h)250 mm			sink 400x400x(h)250 mm		
	code	weight kg	price €	code	weight kg	price €	code	weight kg	price €	code	weight kg	price €
1100	222116-L	34	1 000,-	222117-L	37	1 047,-	222116-P	34	1 000,-	222117-P	37	1 047,-
1200	222126-L	36	1 035,-	222127-L	39	1 083,-	222126-P	36	1 035,-	222127-P	39	1 083,-
1300	222136-L	37	1 068,-	222137-L	41	1 121,-	222136-P	37	1 068,-	222137-P	41	1 121,-
1400	222146-L	39	1 103,-	222147-L	42	1 156,-	222146-P	39	1 103,-	222147-P	42	1 156,-
1500	222156-L	41	1 136,-	222157-L	44	1 194,-	222156-P	41	1 136,-	222157-P	44	1 194,-
1600	222166-L	42	1 168,-	222167-L	46	1 231,-	222166-P	42	1 168,-	222167-P	46	1 231,-
1700	222176-L	44	1 203,-	222177-L	48	1 269,-	222176-P	44	1 203,-	222177-P	48	1 269,-
1800	222186-L	46	1 234,-	222187-L	50	1 304,-	222186-P	46	1 234,-	222187-P	50	1 304,-
1900	222196-L	47	1 269,-	222197-L	52	1 342,-	222196-P	47	1 269,-	222197-P	52	1 342,-



## Reinforced table with two sinks and undershelf

- tap hole Ø35 mm between sinks by special request
- cutting out a hole for a waste disposal unit is possible  
- optional extra 49 €, please specify which sink

### Sinks on left side



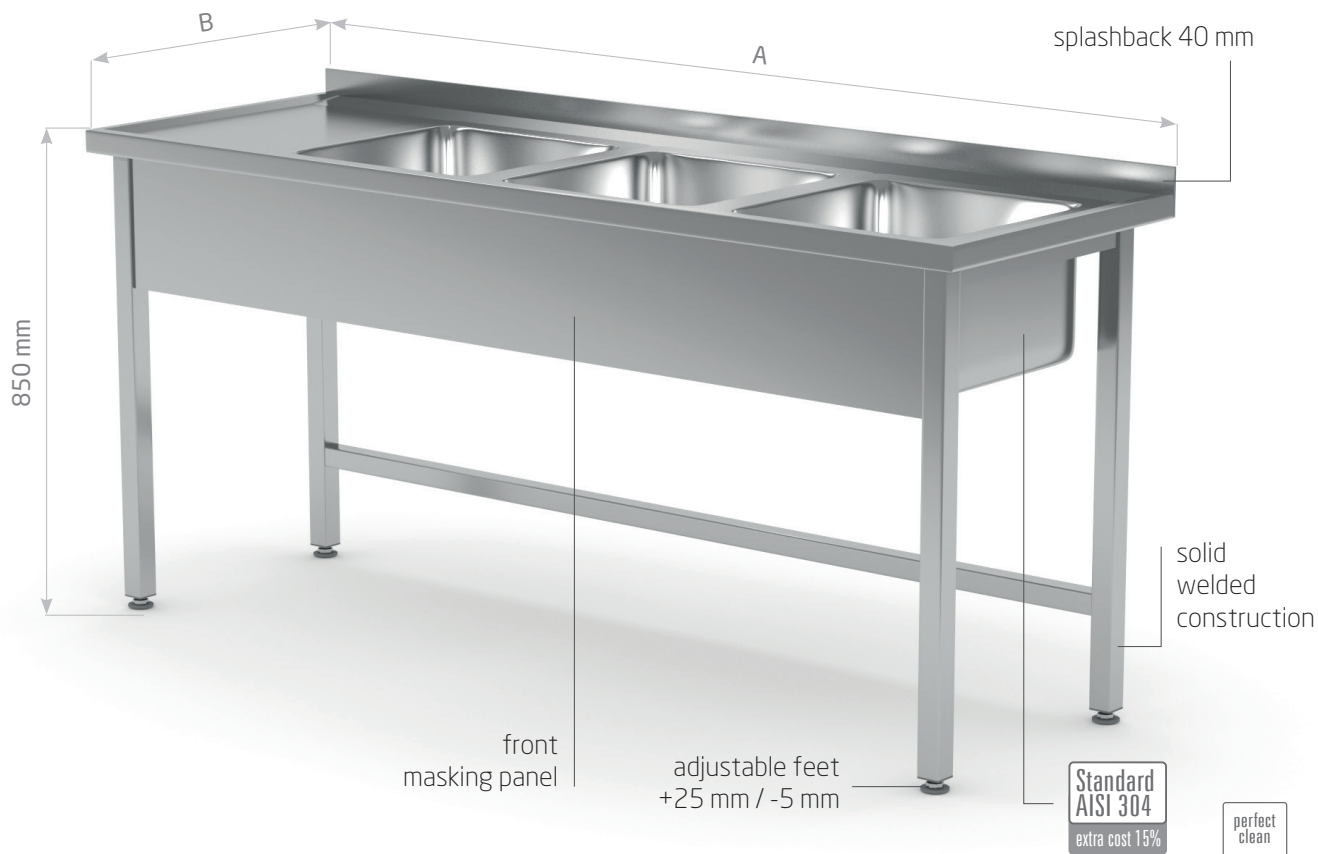
POL-222-6-L

### Sinks on right side



POL-222-6-P

A mm	B = 600 mm			B = 700 mm			B = 600 mm			B = 700 mm		
	sink 400x400x(h)250 mm			sink 400x400x(h)250 mm			sink 400x400x(h)250 mm			sink 400x400x(h)250 mm		
	code	weight kg	price €	code	weight kg	price €	code	weight kg	price €	code	weight kg	price €
2000	222206-6-L	49	1 416,-	222207-6-L	53	1 495,-	222206-6-P	49	1 416,-	222207-6-P	53	1 495,-
2100	222216-6-L	51	1 449,-	222217-6-L	55	1 531,-	222216-6-P	51	1 449,-	222217-6-P	55	1 531,-
2200	222226-6-L	52	1 481,-	222227-6-L	57	1 569,-	222226-6-P	52	1 481,-	222227-6-P	57	1 569,-
2300	222236-6-L	54	1 515,-	222237-6-L	59	1 607,-	222236-6-P	54	1 515,-	222237-6-P	59	1 607,-
2400	222246-6-L	55	1 547,-	222247-6-L	60	1 645,-	222246-6-P	55	1 547,-	222247-6-P	60	1 645,-
2500	222256-6-L	57	1 579,-	222257-6-L	62	1 683,-	222256-6-P	57	1 579,-	222257-6-P	62	1 683,-
2600	222266-6-L	59	1 611,-	222267-6-L	64	1 720,-	222266-6-P	59	1 611,-	222267-6-P	64	1 720,-
2700	222276-6-L	60	1 643,-	222277-6-L	66	1 758,-	222276-6-P	60	1 643,-	222277-6-P	66	1 758,-
2800	222286-6-L	62	1 676,-	222287-6-L	68	1 795,-	222286-6-P	62	1 676,-	222287-6-P	68	1 795,-



## Table with three sinks, without undershelf

- tap hole Ø35 mm between sinks by special request, please specify between which sinks
- cutting out a hole for a waste disposal unit is possible  
- optional extra 49 €, please specify which sink

### Sinks on left side



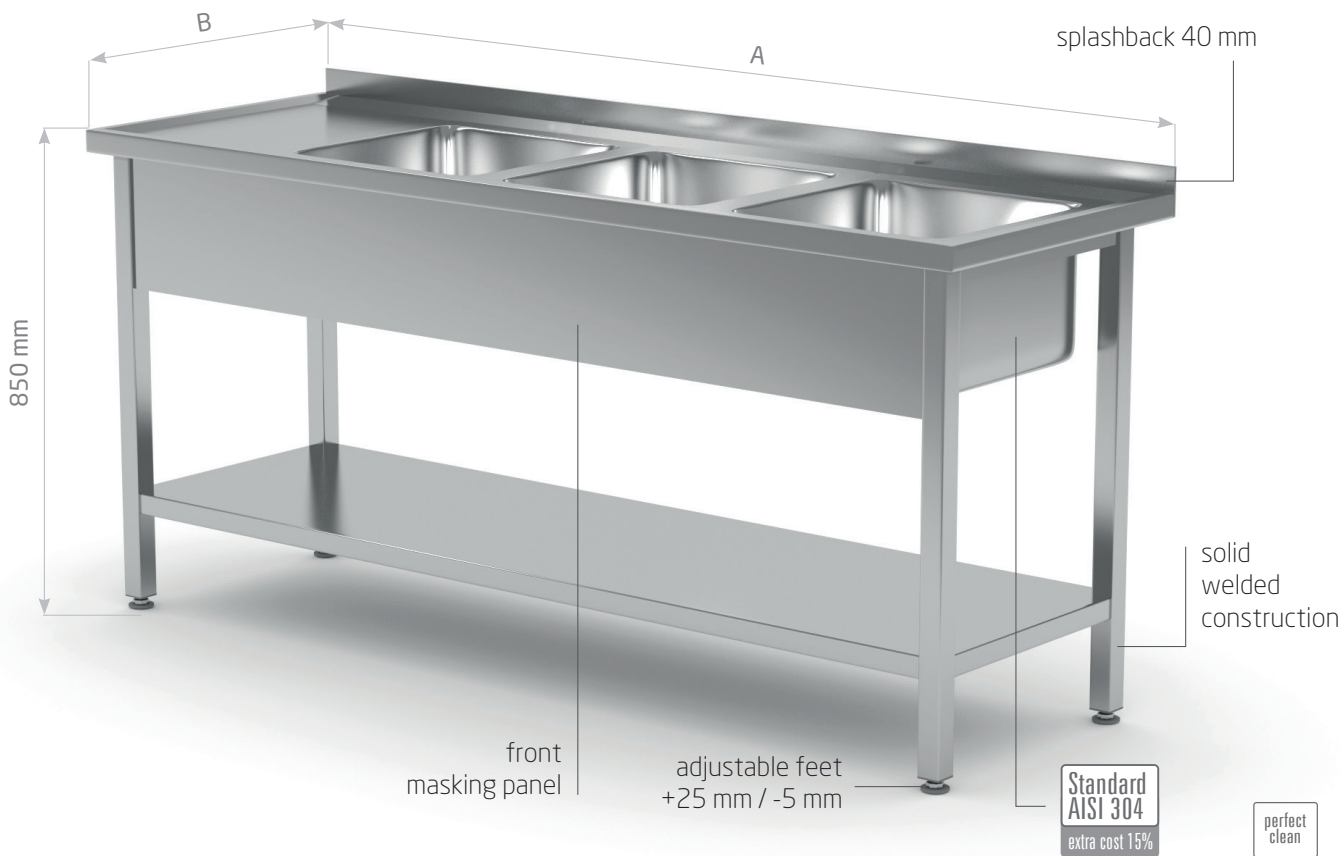
POL-223-L

### Sinks on right side



POL-223-P

A mm	B = 600 mm			B = 700 mm			B = 600 mm			B = 700 mm		
	sink 400x400x(h)250 mm			sink 400x400x(h)250 mm			sink 400x400x(h)250 mm			sink 400x400x(h)250 mm		
	code	weight kg	price €	code	weight kg	price €	code	weight kg	price €	code	weight kg	price €
1500	223156-L	35	1 231,-	223157-L	37	1 275,-	223156-P	35	1 231,-	223157-P	37	1 275,-
1600	223166-L	36	1 261,-	223167-L	38	1 304,-	223166-P	36	1 261,-	223167-P	38	1 304,-
1700	223176-L	37	1 285,-	223177-L	39	1 332,-	223176-P	37	1 285,-	223177-P	39	1 332,-
1800	223186-L	38	1 310,-	223187-L	40	1 360,-	223186-P	38	1 310,-	223187-P	40	1 360,-
1900	223196-L	39	1 338,-	223197-L	41	1 390,-	223196-P	39	1 338,-	223197-P	41	1 390,-



## Table with three sinks and undershelf

- tap hole Ø35 mm between sinks by special request, please specify between which sinks
- cutting out a hole for a waste disposal unit is possible – optional extra 49 €, please specify which sink

### Sinks on left side



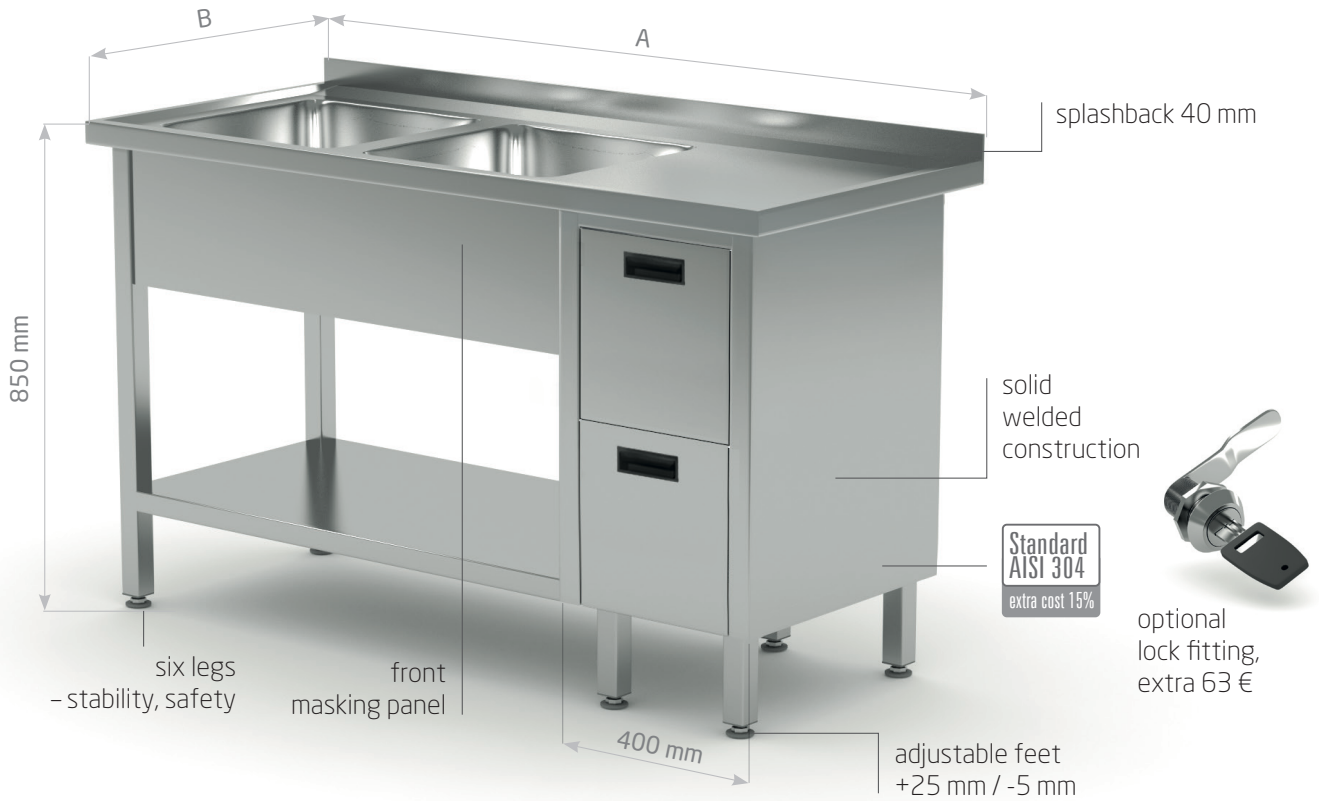
POL-224-L

### Sinks on right side



POL-224-P

A mm	B = 600 mm			B = 700 mm			B = 600 mm			B = 700 mm		
	sink 400x400x(h)250 mm			sink 400x400x(h)250 mm			sink 400x400x(h)250 mm			sink 400x400x(h)250 mm		
	code	weight kg	price €	code	weight kg	price €	code	weight kg	price €	code	weight kg	price €
1500	224156-L	37	1 320,-	224157-L	39	1 380,-	224156-P	37	1 320,-	224157-P	39	1 380,-
1600	224166-L	38	1 351,-	224167-L	41	1 414,-	224166-P	38	1 351,-	224167-P	41	1 414,-
1700	224176-L	39	1 383,-	224177-L	43	1 450,-	224176-P	39	1 383,-	224177-P	43	1 450,-
1800	224186-L	40	1 414,-	224187-L	45	1 486,-	224186-P	40	1 414,-	224187-P	45	1 486,-
1900	224196-L	41	1 446,-	224197-L	47	1 522,-	224196-P	41	1 446,-	224197-P	47	1 522,-



## Table with two sinks, undershelf and cabinet with two drawers

perfect clean 6 security legs

- tap hole Ø35 mm between sinks by special request
- cutting out a hole for a waste disposal unit is possible
  - optional extra 49 €, please specify which sink
- drawer depth 250 mm

### Sinks on left side



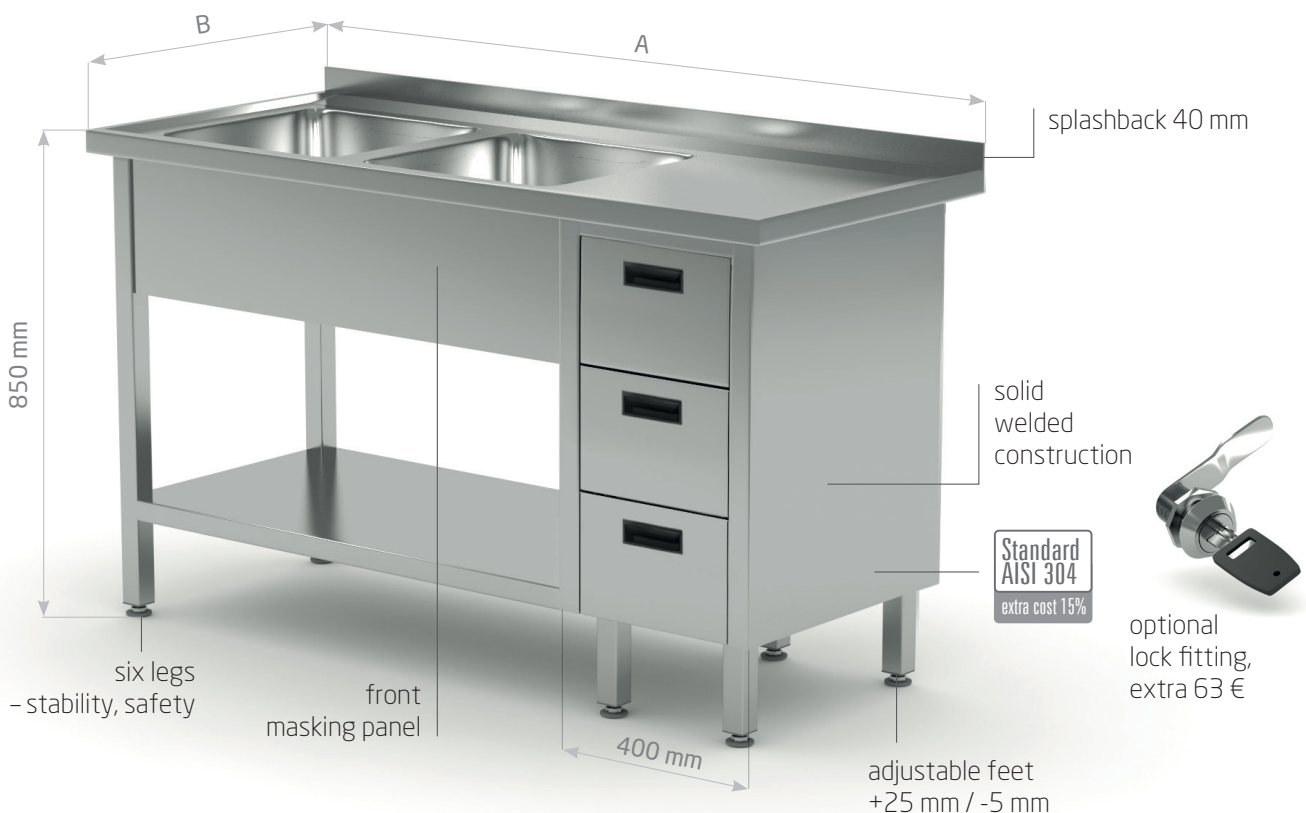
POL-225-L

### Sinks on right side



POL-225-P

A mm	B = 600 mm			B = 700 mm			B = 600 mm			B = 700 mm		
	sink 400x400x(h)250 mm			sink 400x400x(h)250 mm			sink 400x400x(h)250 mm			sink 400x400x(h)250 mm		
	code	weight kg	price €	code	weight kg	price €	code	weight kg	price €	code	weight kg	price €
1400	225146-L	50	1 625,-	225147-L	58	1 718,-	225146-P	50	1 625,-	225147-P	58	1 718,-
1500	225156-L	52	1 662,-	225157-L	60	1 757,-	225156-P	52	1 662,-	225157-P	60	1 757,-
1600	225166-L	53	1 694,-	225167-L	62	1 793,-	225166-P	53	1 694,-	225167-P	62	1 793,-
1700	225176-L	55	1 727,-	225177-L	64	1 831,-	225176-P	55	1 727,-	225177-P	64	1 831,-
1800	225186-L	57	1 758,-	225187-L	66	1 866,-	225186-P	57	1 758,-	225187-P	66	1 866,-
1900	225196-L	59	1 793,-	225197-L	68	1 904,-	225196-P	59	1 793,-	225197-P	68	1 904,-
2000	225206-L	61	1 828,-	225207-L	70	1 940,-	225206-P	61	1 828,-	225207-P	70	1 940,-



## Table with two sinks, undershelf and cabinet with three drawers

perfect clean 6 security legs

- tap hole Ø35 mm between sinks by special request
- cutting out a hole for a waste disposal unit is possible
  - optional extra 49 €, please specify which sink
- drawer depth 150 mm

### Sinks on left side



POL-225-3-L

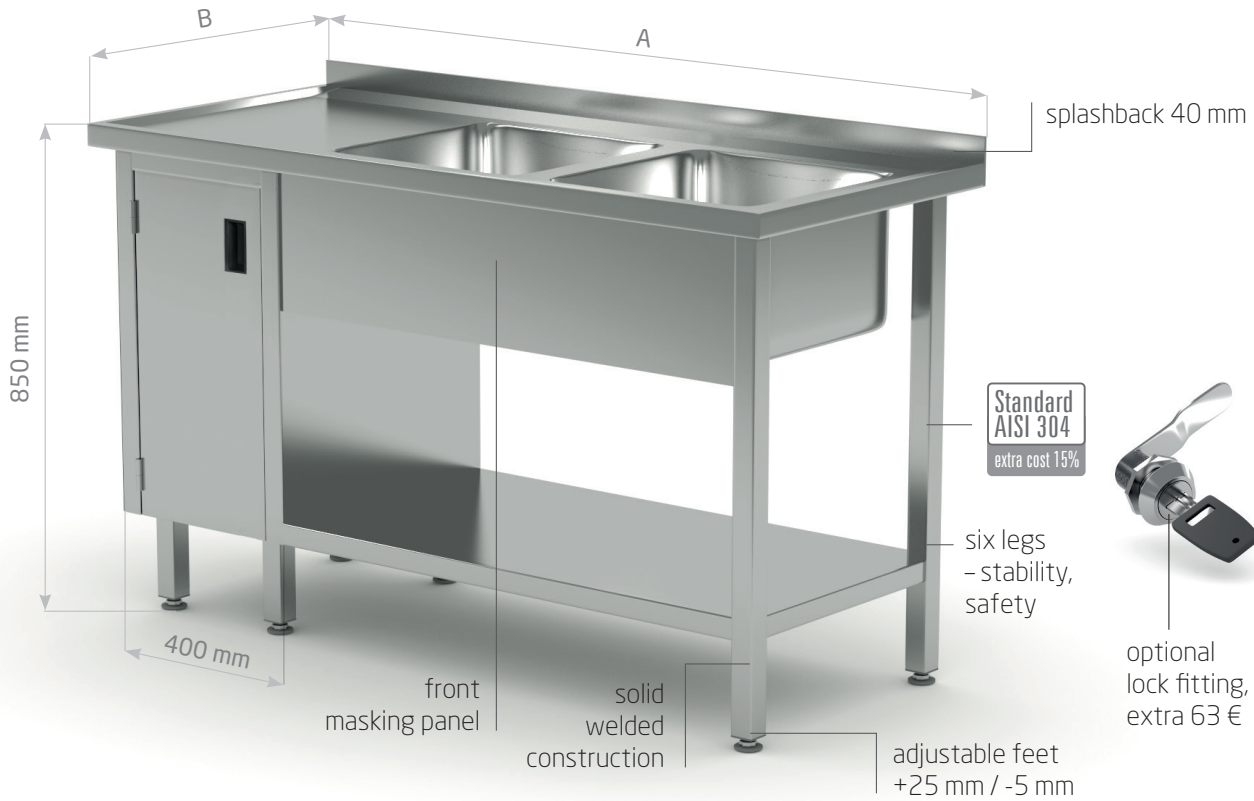
### Sinks on right side



POL-225-3-P

A mm	B = 600 mm			B = 700 mm			B = 600 mm			B = 700 mm		
	sink 400x400x(h)250 mm			sink 400x400x(h)250 mm			sink 400x400x(h)250 mm			sink 400x400x(h)250 mm		
	code	weight kg	price €	code	weight kg	price €	code	weight kg	price €	code	weight kg	price €
1400	225146-3-L	54	1 821,-	225147-3-L	62	1 926,-	225146-3-P	54	1 821,-	225147-3-P	62	1 926,-
1500	225156-3-L	56	1 856,-	225157-3-L	64	1 964,-	225156-3-P	56	1 856,-	225157-3-P	64	1 964,-
1600	225166-3-L	57	1 889,-	225167-3-L	66	2 002,-	225166-3-P	57	1 889,-	225167-3-P	66	2 002,-
1700	225176-3-L	59	1 922,-	225177-3-L	68	2 040,-	225176-3-P	59	1 922,-	225177-3-P	68	2 040,-
1800	225186-3-L	61	1 954,-	225187-3-L	70	2 075,-	225186-3-P	61	1 954,-	225187-3-P	70	2 075,-
1900	225196-3-L	63	1 989,-	225197-3-L	72	2 111,-	225196-3-P	63	1 989,-	225197-3-P	72	2 111,-
2000	225206-3-L	65	2 024,-	225207-3-L	74	2 149,-	225206-3-P	65	2 024,-	225207-3-P	74	2 149,-





## Table with two sinks, undershelf and cabinet with hinged door

perfect clean magnetix 6 security legs

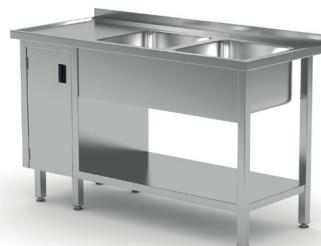
- tap hole Ø35 mm between sinks by special request
- cutting out a hole for a waste disposal unit is possible
  - optional extra 49 €, please specify which sink
- internal shelf easily removable

### Sinks on left side



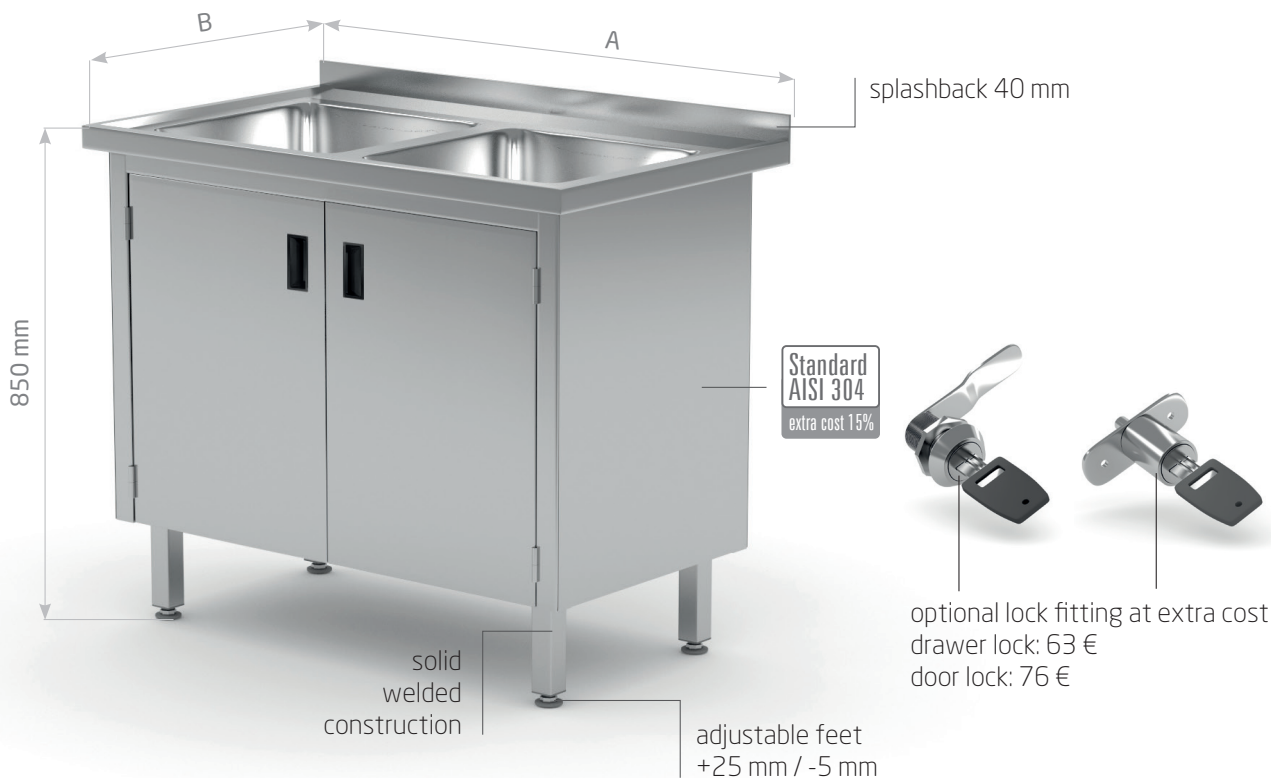
POL-226-L

### Sinks on right side



POL-226-P

A mm	B = 600 mm			B = 700 mm			B = 600 mm			B = 700 mm		
	sink 400x400x(h)250 mm			sink 400x400x(h)250 mm			sink 400x400x(h)250 mm			sink 400x400x(h)250 mm		
	code	weight kg	price €	code	weight kg	price €	code	weight kg	price €	code	weight kg	price €
1400	226146-L	46	1 506,-	226147-L	50	1 579,-	226146-P	46	1 506,-	226147-P	50	1 579,-
1500	226156-L	47	1 541,-	226157-L	52	1 617,-	226156-P	47	1 541,-	226157-P	52	1 617,-
1600	226166-L	49	1 572,-	226167-L	54	1 655,-	226166-P	49	1 572,-	226167-P	54	1 655,-
1700	226176-L	51	1 607,-	226177-L	56	1 694,-	226176-P	51	1 607,-	226177-P	56	1 694,-
1800	226186-L	53	1 639,-	226187-L	59	1 727,-	226186-P	53	1 639,-	226187-P	59	1 727,-
1900	226196-L	55	1 674,-	226197-L	61	1 765,-	226196-P	55	1 674,-	226197-P	61	1 765,-
2000	226206-L	56	1 708,-	226207-L	63	1 803,-	226206-P	56	1 708,-	226207-P	63	1 803,-



## Table with two sinks and cabinet

- tap hole Ø35 mm between sinks by special request
- cutting out a hole for a waste disposal unit is possible
  - optional extra 49 €, please specify which sink
- this cabinet is without a back wall

### With sliding doors



POL-227

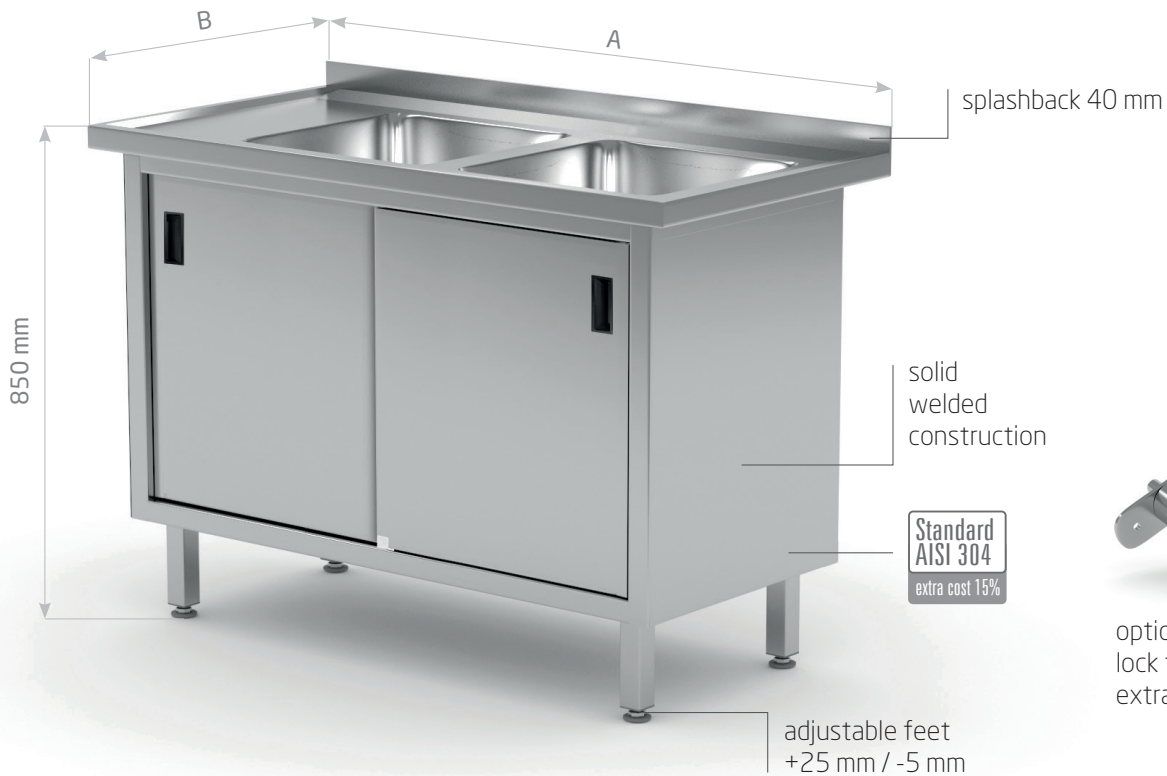
### With hinged doors



magnetix

POL-228

A mm	B = 600 mm			B = 700 mm			B = 600 mm			B = 700 mm		
	code	weight kg	price €	code	weight kg	price €	code	weight kg	price €	code	weight kg	price €
1000	227106	43	1 380,-	227107	46	1 453,-	228106	40	1 317,-	228107	43	1 370,-



## Table with two sinks and cabinet with sliding doors

- tap hole Ø35 mm between sinks by special request
- cutting out a hole for a waste disposal unit is possible
  - optional extra 49 €, please specify which sink
- this cabinet is without a back wall

### Sinks on left side



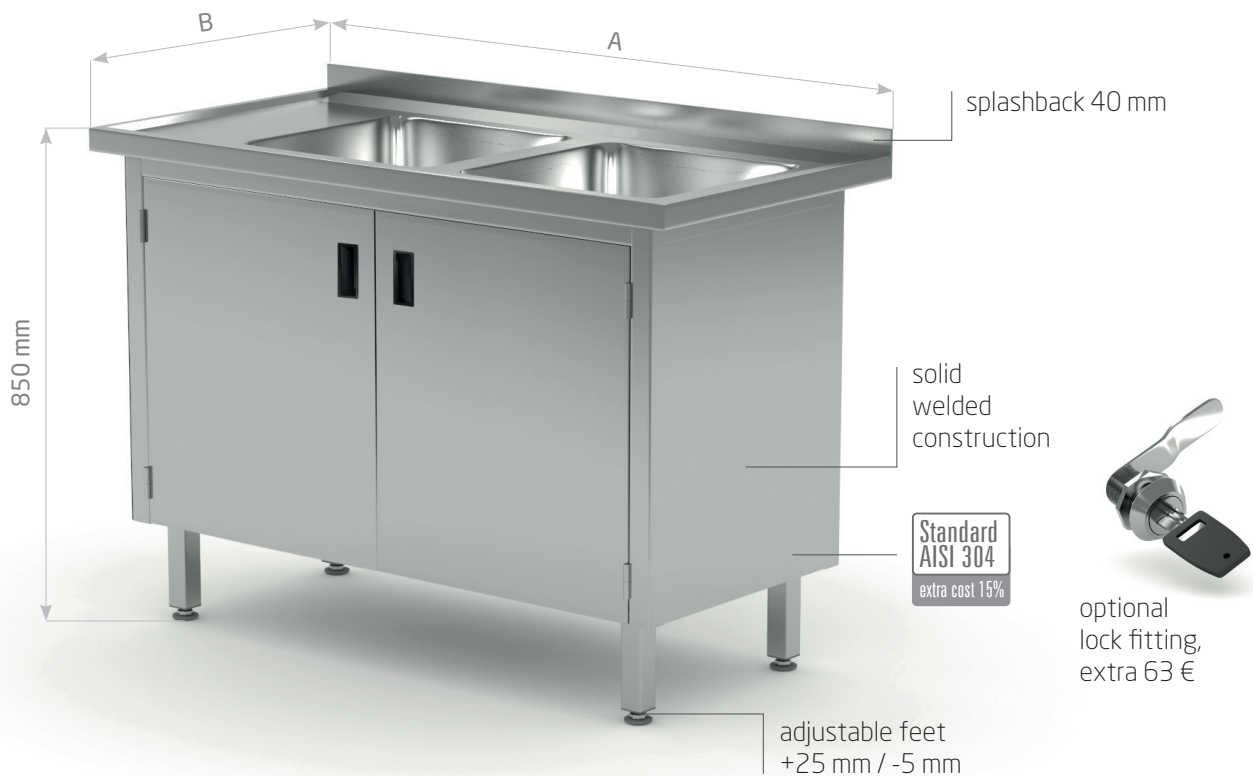
POL-227-L

### Sinks on right side



POL-227-P

A mm	B = 600 mm			B = 700 mm			B = 600 mm			B = 700 mm		
	sink 400x400x(h)250 mm			sink 400x400x(h)250 mm			sink 400x400x(h)250 mm			sink 400x400x(h)250 mm		
	code	weight kg	price €	code	weight kg	price €	code	weight kg	price €	code	weight kg	price €
1100	227116-L	45	1 422,-	227117-L	49	1 498,-	227116-P	45	1 422,-	227117-P	49	1 498,-
1200	227126-L	48	1 463,-	227127-L	51	1 538,-	227126-P	48	1 463,-	227127-P	51	1 538,-
1300	227136-L	51	1 499,-	227137-L	54	1 582,-	227136-P	51	1 499,-	227137-P	54	1 582,-
1400	227146-L	53	1 541,-	227147-L	57	1 625,-	227146-P	53	1 541,-	227147-P	57	1 625,-
1500	227156-L	56	1 582,-	227157-L	60	1 670,-	227156-P	56	1 582,-	227157-P	60	1 670,-
1600	227166-L	58	1 624,-	227167-L	62	1 715,-	227166-P	58	1 624,-	227167-P	62	1 715,-
1700	227176-L	61	1 664,-	227177-L	65	1 758,-	227176-P	61	1 664,-	227177-P	65	1 758,-
1800	227186-L	64	1 705,-	227187-L	68	1 803,-	227186-P	64	1 705,-	227187-P	68	1 803,-
1900	227196-L	66	1 746,-	227197-L	71	1 847,-	227196-P	66	1 746,-	227197-P	71	1 847,-



## Table with two sinks and cabinet with hinged doors

- this cabinet is without a back wall
- tap hole Ø35 mm between sinks by special request
- cutting out a hole for a waste disposal unit is possible
  - optional extra 49 €, please specify which sink

### Sinks on left side



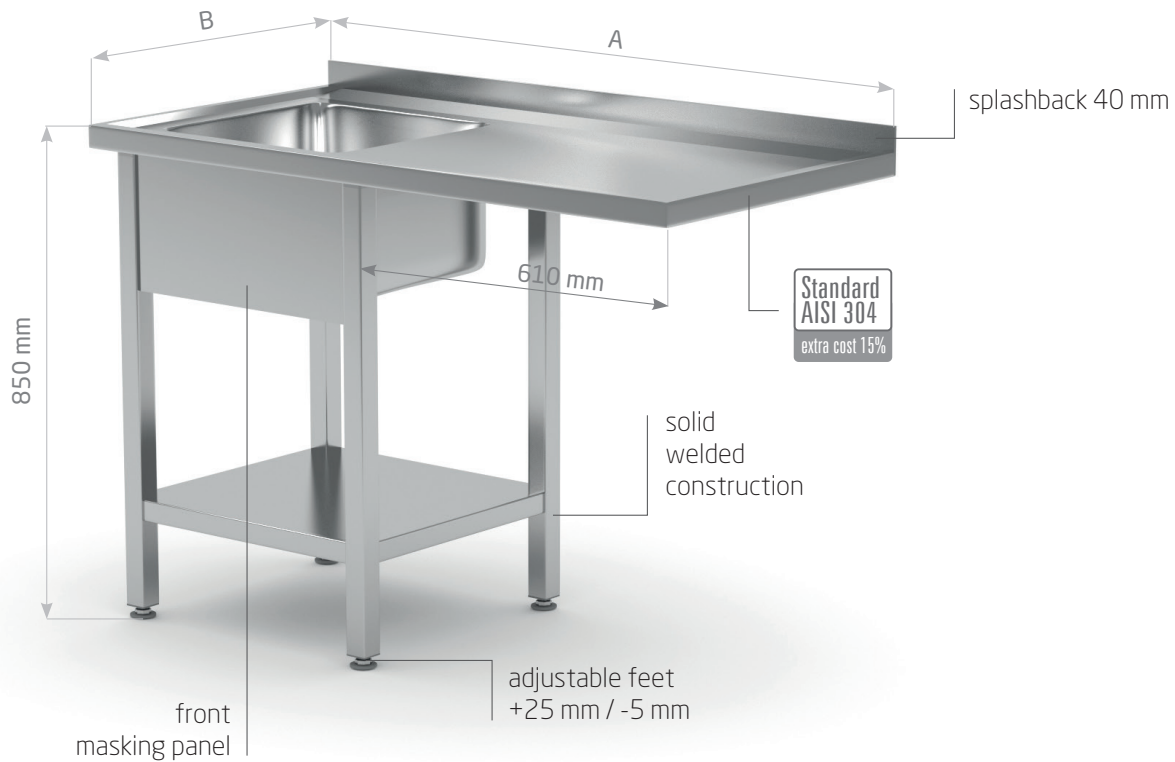
POL-228-L

### Sinks on right side



POL-228-P

A mm	B = 600 mm			B = 700 mm			B = 600 mm			B = 700 mm		
	sink 400x400x(h)250 mm			sink 400x400x(h)250 mm			sink 400x400x(h)250 mm			sink 400x400x(h)250 mm		
	code	weight kg	price €	code	weight kg	price €	code	weight kg	price €	code	weight kg	price €
1100	228116-L	43	1 367,-	228117-L	46	1 423,-	228116-P	43	1 367,-	228117-P	46	1 423,-
1200	228126-L	45	1 418,-	228127-L	49	1 478,-	228126-P	45	1 418,-	228127-P	49	1 478,-
1300	228136-L	48	1 464,-	228137-L	51	1 527,-	228136-P	48	1 464,-	228137-P	51	1 527,-
1400	228146-L	50	1 516,-	228147-L	54	1 582,-	228146-P	50	1 516,-	228147-P	54	1 582,-
1500	228156-L	53	1 566,-	228157-L	56	1 636,-	228156-P	53	1 566,-	228157-P	56	1 636,-



perfect clean

## Table with sink, undershelf and space for fridge or dishwasher

- tap hole Ø35 mm - by special request
- cutting out a hole for a waste disposal unit is possible - optional extra 49 €

### Sink on left side

### Sink on right side

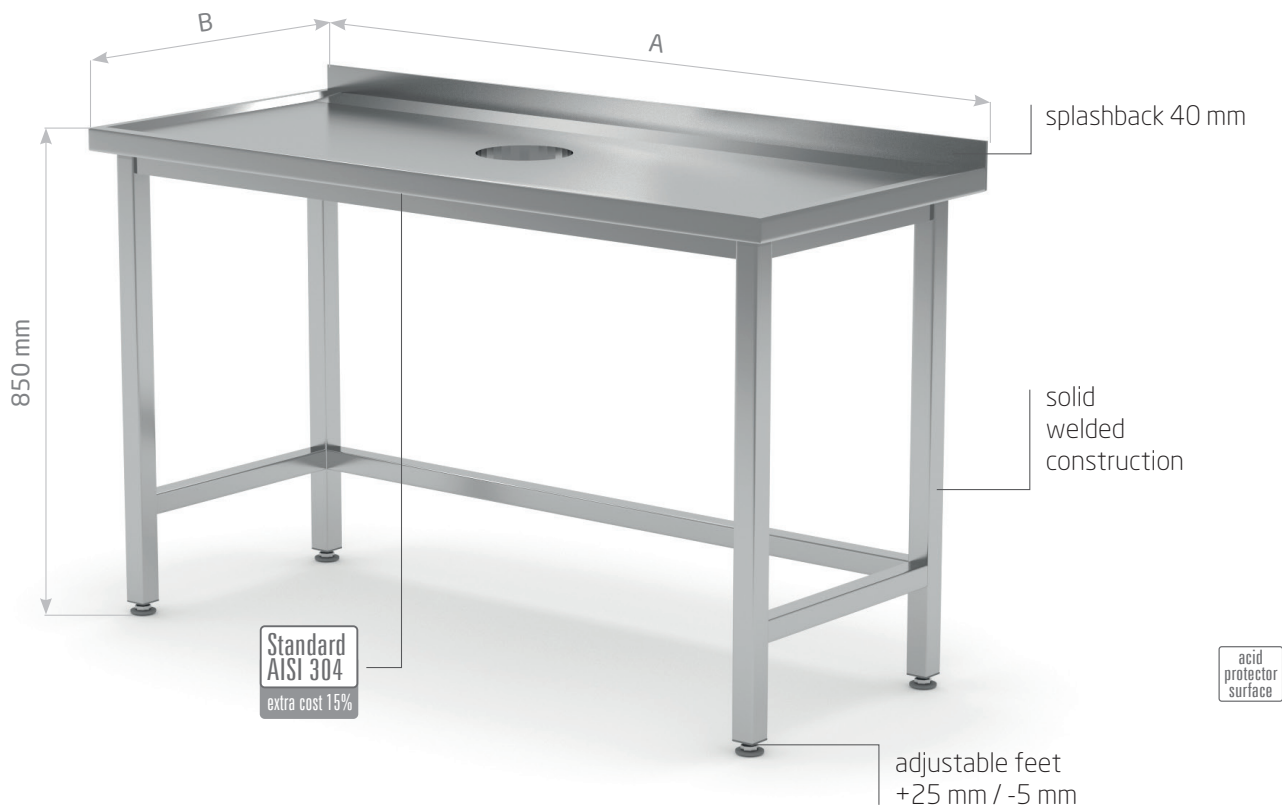


POL-231-L



POL-231-P

A mm	B = 600 mm			B = 700 mm			B = 600 mm			B = 700 mm		
	sink 400x400x(h)250 mm			sink 400x400x(h)250 mm			sink 400x400x(h)250 mm			sink 400x400x(h)250 mm		
	code	weight kg	price €	code	weight kg	price €	code	weight kg	price €	code	weight kg	price €
1200	231126-L	20	723,-	231127-L	22	755,-	231126-P	20	723,-	231127-P	22	755,-
1300	231136-L	21	748,-	231137-L	24	783,-	231136-P	21	748,-	231137-P	24	783,-
1400	231146-L	23	773,-	231147-L	26	813,-	231146-P	23	773,-	231147-P	26	813,-
1500	231156-L	24	799,-	231157-L	27	839,-	231156-P	24	799,-	231157-P	27	839,-
1600	231166-L	26	824,-	231167-L	29	866,-	231166-P	26	824,-	231167-P	29	866,-
1700	231176-L	27	850,-	231177-L	31	894,-	231176-P	27	850,-	231177-P	31	894,-
1800	231186-L	29	874,-	231187-L	32	919,-	231186-P	29	874,-	231187-P	32	919,-
1900	231196-L	30	901,-	231197-L	34	947,-	231196-P	30	901,-	231197-P	34	947,-



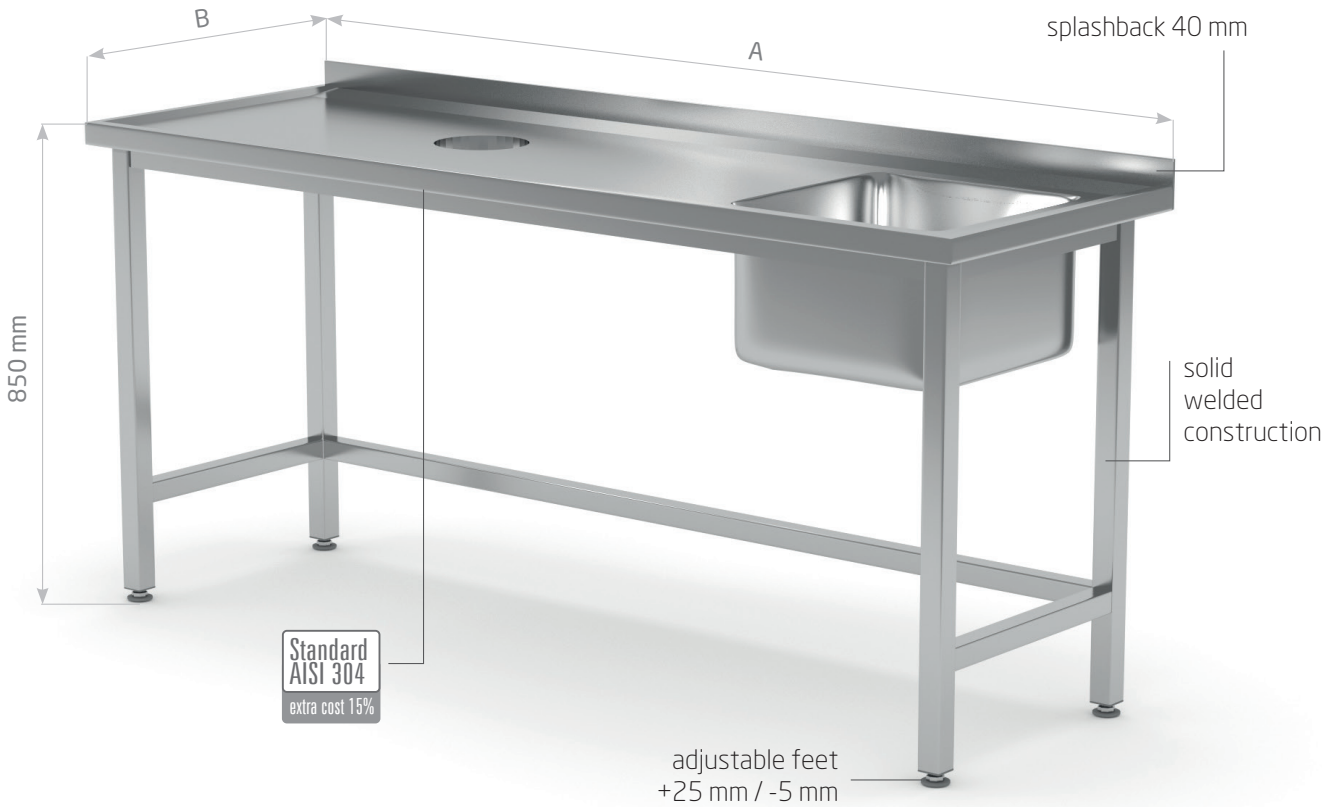
## Work table with splashback and waste hole

- please provide table dimensions and location of Ø150 mm hole – C - central, R - right side, L - left side



POL-235

A mm	B = 600 mm			B = 700 mm		
	code	weight kg	price €	code	weight kg	price €
800	235086	19	534,-	235087	21	562,-
900	235096	20	562,-	235097	22	590,-
1000	235106	21	590,-	235107	23	622,-
1100	235116	22	615,-	235117	24	650,-
1200	235126	23	644,-	235127	25	679,-
1300	235136	24	672,-	235137	27	710,-
1400	235146	26	698,-	235147	28	740,-
1500	235156	27	726,-	235157	29	766,-
1600	235166	28	751,-	235167	30	799,-
1700	235176	29	780,-	235177	31	827,-
1800	235186	30	808,-	235187	32	856,-
1900	235196	31	834,-	235197	33	887,-



## Table with sink and waste hole

- tap hole Ø35 mm – by special request
- cutting out a hole for a waste disposal unit is possible – optional extra 49 €
- please provide table dimensions and location of Ø150 mm hole – C- central, R- right side, L- left side

### Sink on left side



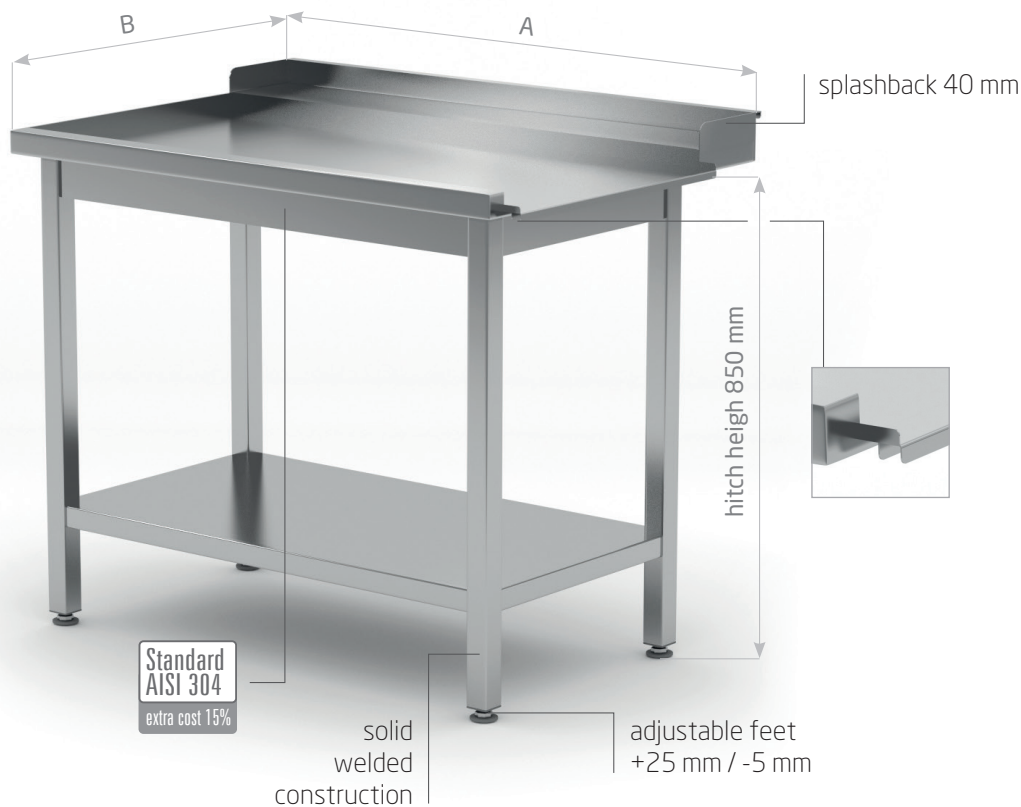
POL-236-L

### Sink on right side



POL-236-P

A mm	B = 600 mm			B = 700 mm			B = 600 mm			B = 700 mm		
	sink 400x400x(h)250 mm			sink 400x400x(h)250 mm			sink 400x400x(h)250 mm			sink 400x400x(h)250 mm		
	code	weight kg	price €	code	weight kg	price €	code	weight kg	price €	code	weight kg	price €
1000	236106-L	24	806,-	236107-L	27	834,-	236106-P	24	806,-	236107-P	27	834,-
1100	236116-L	25	829,-	236117-L	28	862,-	236116-P	25	829,-	236117-P	28	862,-
1200	236126-L	26	856,-	236127-L	29	887,-	236126-P	26	856,-	236127-P	29	887,-
1300	236136-L	27	880,-	236137-L	31	915,-	236136-P	27	880,-	236137-P	31	915,-
1400	236146-L	29	905,-	236147-L	32	943,-	236146-P	29	905,-	236147-P	32	943,-
1500	236156-L	30	932,-	236157-L	33	972,-	236156-P	30	932,-	236157-P	33	972,-
1600	236166-L	31	957,-	236167-L	34	998,-	236166-P	31	957,-	236167-P	34	998,-
1700	236176-L	32	982,-	236177-L	35	1 027,-	236176-P	32	982,-	236177-P	35	1 027,-
1800	236186-L	33	1 006,-	236187-L	36	1 051,-	236186-P	33	1 006,-	236187-P	36	1 051,-
1900	236196-L	34	1 031,-	236197-L	37	1 080,-	236196-P	34	1 031,-	236197-P	37	1 080,-



## Unloading table for dishwashers with undershelf

Left



POL-237-L

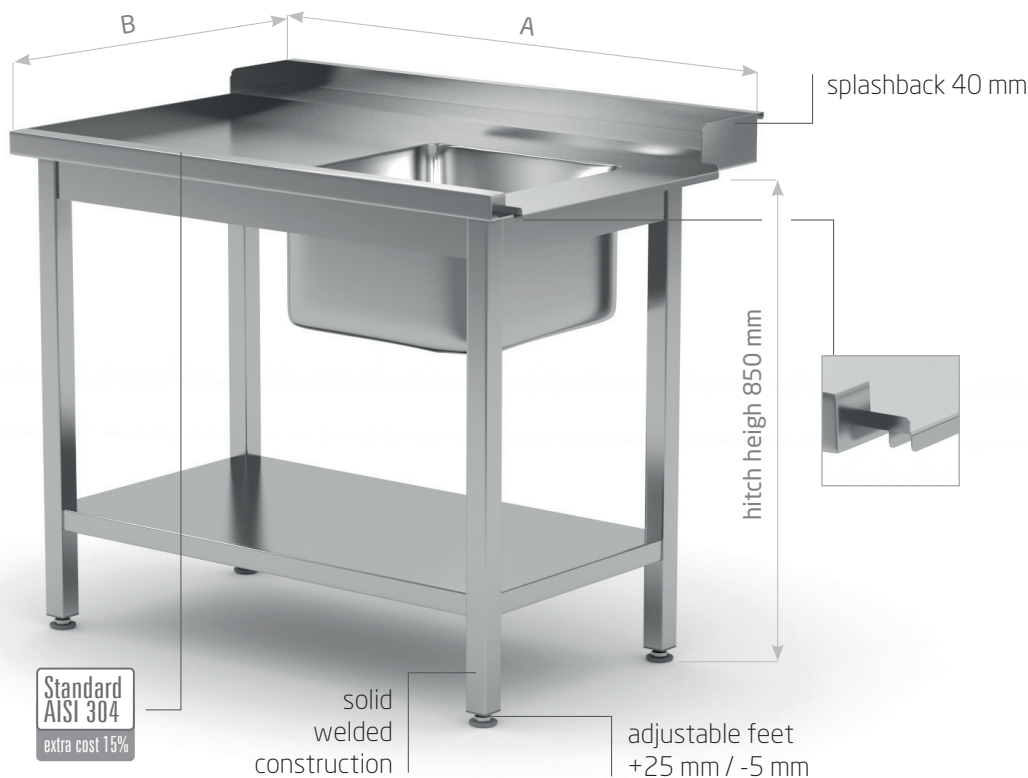
Right



POL-237-P

A mm	B = 700 mm			B = 760 mm			A mm	B = 700 mm			B = 760 mm		
	code	weight kg	price €	code	weight kg	price €		code	weight kg	price €	code	weight kg	price €
800	237087-L	19	682,-	237087-760-L	20	751,-	800	237087-P	19	682,-	237087-760-P	20	751,-
900	237097-L	21	720,-	237097-760-L	22	793,-	900	237097-P	21	720,-	237097-760-P	22	793,-
1000	237107-L	22	758,-	237107-760-L	23	835,-	1000	237107-P	22	758,-	237107-760-P	23	835,-
1100	237117-L	24	799,-	237117-760-L	25	880,-	1100	237117-P	24	799,-	237117-760-P	25	880,-
1200	237127-L	26	838,-	237127-760-L	27	922,-	1200	237127-P	26	838,-	237127-760-P	27	922,-
1300	237137-L	27	874,-	237137-760-L	28	962,-	1300	237137-P	27	874,-	237137-760-P	28	962,-
1400	237147-L	29	916,-	237147-760-L	30	1 007,-	1400	237147-P	29	916,-	237147-760-P	30	1 007,-





## Loading table for dishwashers with sink and undershelf

- tap hole Ø35 mm - by special request
- cutting out a hole for a waste disposal unit is possible - optional extra 49 €

### Left



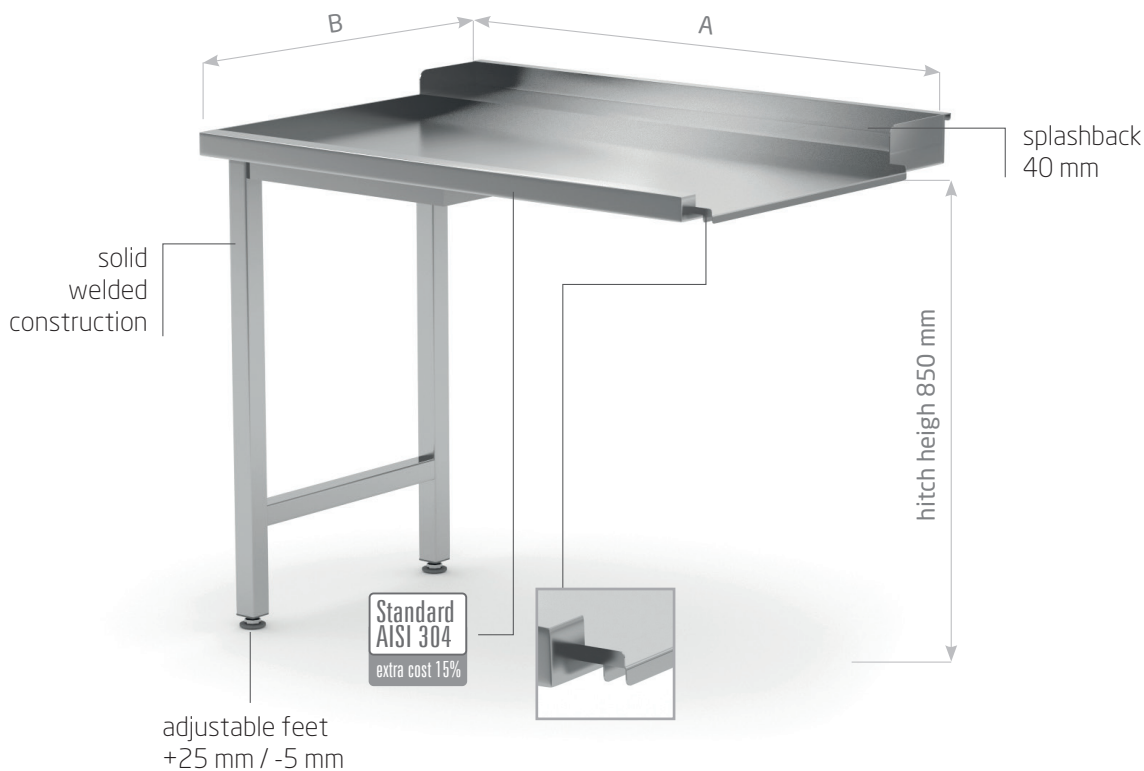
POL-238-L

### Right



POL-238-P

A mm	B = 700 mm			B = 760 mm			B = 700 mm			B = 760 mm		
	sink 400x400x(h)250 mm			sink 400x400x(h)250 mm			sink 400x400x(h)250 mm			sink 400x400x(h)250 mm		
	code	weight kg	price €	code	weight kg	price €	code	weight kg	price €	code	weight kg	price €
800	238087-L	26	874,-	238087-760-L	27	962,-	238087-P	26	874,-	238087-760-P	27	962,-
900	238097-L	28	913,-	238097-760-L	29	1 005,-	238097-P	28	913,-	238097-760-P	29	1 005,-
1000	238107-L	30	954,-	238107-760-L	31	1 049,-	238107-P	30	954,-	238107-760-P	31	1 049,-
1100	238117-L	32	995,-	238117-760-L	33	1 094,-	238117-P	32	995,-	238117-760-P	33	1 094,-
1200	238127-L	34	1 035,-	238127-760-L	35	1 139,-	238127-P	34	1 035,-	238127-760-P	35	1 139,-
1300	238137-L	36	1 076,-	238137-760-L	37	1 185,-	238137-P	36	1 076,-	238137-760-P	37	1 185,-
1400	238147-L	37	1 118,-	238147-760-L	38	1 230,-	238147-P	37	1 118,-	238147-760-P	38	1 230,-



## Unloading table for dishwashers on two legs

Left



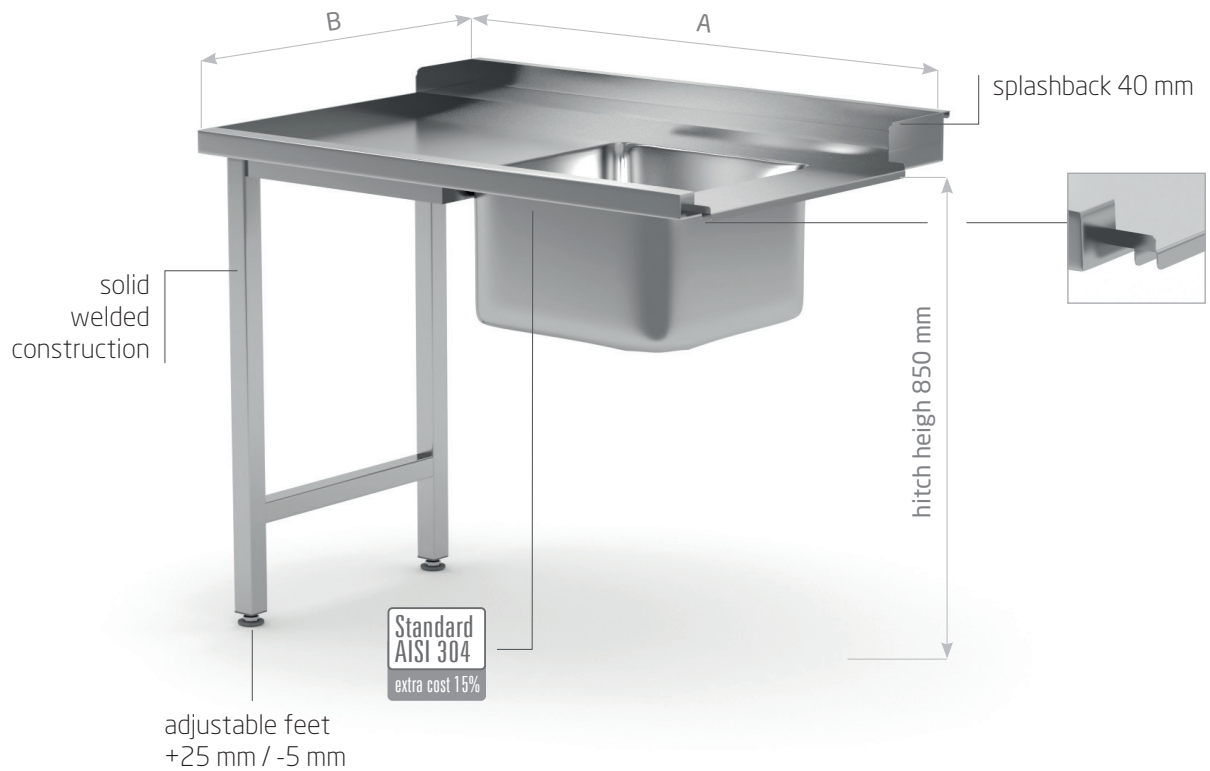
POL-239-L

Right



POL-239-P

A mm	B = 700 mm			B = 760 mm			A mm	B = 700 mm			B = 760 mm		
	code	weight kg	price €	code	weight kg	price €		code	weight kg	price €	code	weight kg	price €
600	239067-L	12	535,-	239067-760-L	13	590,-	600	239067-P	12	535,-	239067-760-P	13	590,-
700	239077-L	13	552,-	239077-760-L	14	608,-	700	239077-P	13	552,-	239077-760-P	14	608,-
800	239087-L	14	572,-	239087-760-L	15	628,-	800	239087-P	14	572,-	239087-760-P	15	628,-
900	239097-L	15	604,-	239097-760-L	16	664,-	900	239097-P	15	604,-	239097-760-P	16	664,-
1000	239107-L	16	637,-	239107-760-L	17	702,-	1000	239107-P	16	637,-	239107-760-P	17	702,-
1100	239117-L	17	672,-	239117-760-L	18	740,-	1100	239117-P	17	672,-	239117-760-P	18	740,-
1200	239127-L	18	706,-	239127-760-L	19	778,-	1200	239127-P	18	706,-	239127-760-P	19	778,-
1300	239137-L	19	741,-	239137-760-L	20	815,-	1300	239137-P	19	741,-	239137-760-P	20	815,-
1400	239147-L	20	775,-	239147-760-L	21	853,-	1400	239147-P	20	775,-	239147-760-P	21	853,-



## Loading table for dishwashers with sink on two legs

- tap hole Ø35 mm – by special request
- cutting out a hole for a waste disposal unit is possible – optional extra 49 €

Left



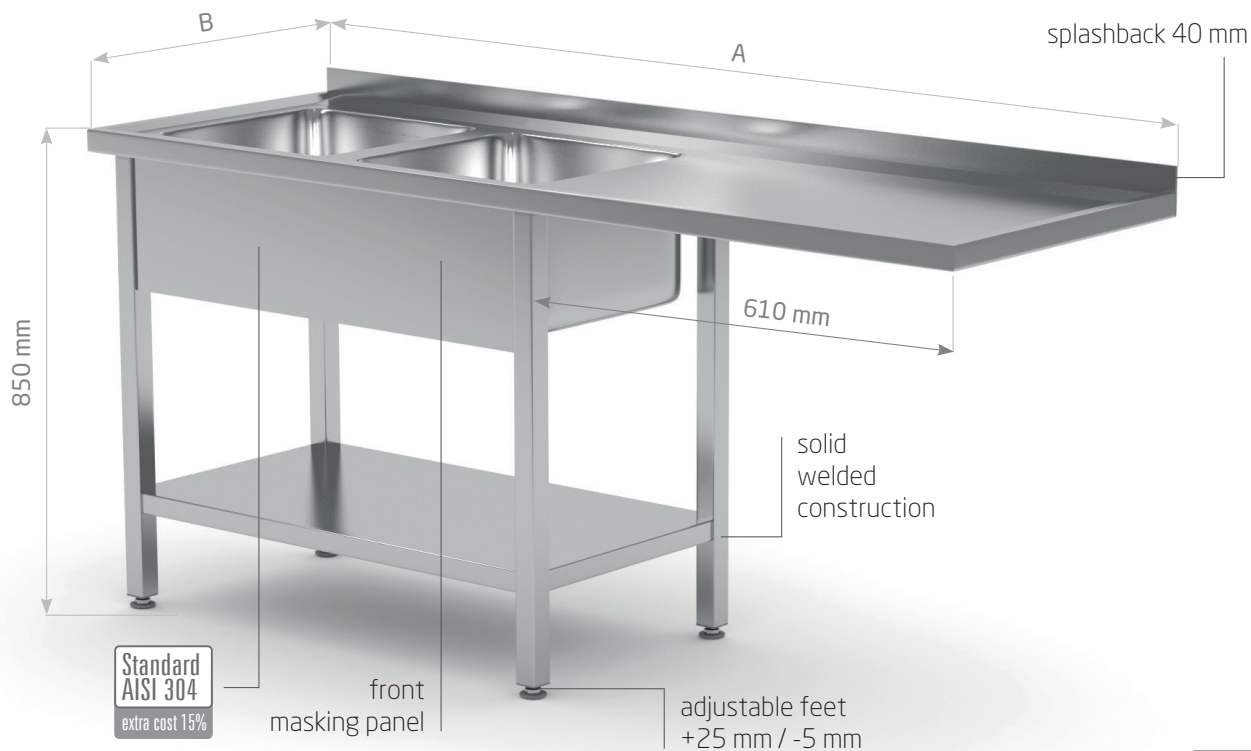
Right



POL-240-L

POL-240-P

A mm	B = 700 mm			B = 760 mm			B = 700 mm			B = 760 mm		
	sink 400x400x(h)250 mm			sink 400x400x(h)250 mm			sink 400x400x(h)250 mm			sink 400x400x(h)250 mm		
	code	weight kg	price €	code	weight kg	price €	code	weight kg	price €	code	weight kg	price €
600	240067-L	15	661,-	240067-760-L	16	729,-	240067-P	15	661,-	240067-760-P	16	729,-
700	240077-L	16	688,-	240077-760-L	17	757,-	240077-P	16	688,-	240077-760-P	17	757,-
800	240087-L	17	713,-	240087-760-L	18	786,-	240087-P	17	713,-	240087-760-P	18	786,-
900	240097-L	18	744,-	240097-760-L	19	820,-	240097-P	18	744,-	240097-760-P	19	820,-
1000	240107-L	19	780,-	240107-760-L	20	859,-	240107-P	19	780,-	240107-760-P	20	859,-
1100	240117-L	20	814,-	240117-760-L	21	895,-	240117-P	20	814,-	240117-760-P	21	895,-
1200	240127-L	21	849,-	240127-760-L	22	934,-	240127-P	21	849,-	240127-760-P	22	934,-
1300	240137-L	22	883,-	240137-760-L	23	972,-	240137-P	22	883,-	240137-760-P	23	972,-
1400	240147-L	23	918,-	240147-760-L	24	1 010,-	240147-P	23	918,-	240147-760-P	24	1 010,-



perfect clean

## Table with two sinks, undershelf and space for fridge or dishwasher

- tap hole Ø35 mm - by special request
- cutting out a hole for a waste disposal unit is possible  
- optional extra 49 €, please specify which sink

### Sinks on left side



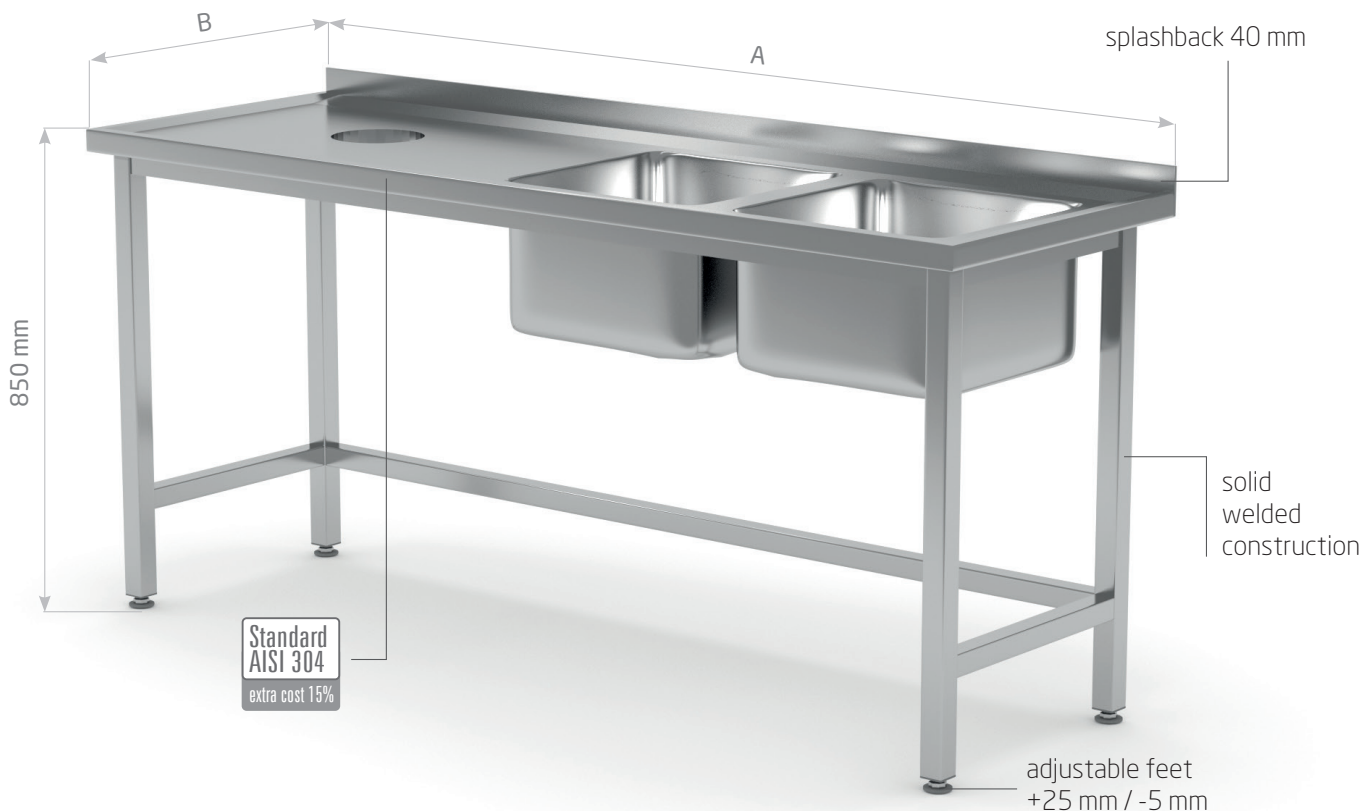
POL-241-L

### Sinks on right side



POL-241-P

A mm	B = 600 mm			B = 700 mm			B = 600 mm			B = 700 mm		
	sink 400x400x(h)250 mm			sink 400x400x(h)250 mm			sink 400x400x(h)250 mm			sink 400x400x(h)250 mm		
	code	weight kg	price €	code	weight kg	price €	code	weight kg	price €	code	weight kg	price €
1600	241166-L	32	970,-	241167-L	34	1 010,-	241166-P	32	970,-	241167-P	34	1 010,-
1700	241176-L	33	995,-	241177-L	36	1 035,-	241176-P	33	995,-	241177-P	36	1 035,-
1800	241186-L	34	1 020,-	241187-L	38	1 065,-	241186-P	34	1 020,-	241187-P	38	1 065,-
1900	241196-L	35	1 047,-	241197-L	40	1 093,-	241196-P	35	1 047,-	241197-P	40	1 093,-
2000	241206-L	37	1 070,-	241207-L	42	1 125,-	241206-P	37	1 070,-	241207-P	42	1 125,-
2100	241216-L	38	1 098,-	241217-L	44	1 159,-	241216-P	38	1 098,-	241217-P	44	1 159,-
2200	241226-L	40	1 131,-	241227-L	46	1 196,-	241226-P	40	1 131,-	241227-P	46	1 196,-
2300	241236-L	41	1 166,-	241237-L	48	1 237,-	241236-P	41	1 166,-	241237-P	48	1 237,-
2400	241246-L	43	1 203,-	241247-L	50	1 282,-	241246-P	43	1 203,-	241247-P	50	1 282,-



## Table with two sinks and waste hole

- tap hole Ø35 mm between sinks by special request
- cutting out a hole for a waste disposal unit is possible – optional extra 49 €, please specify which sink
- please provide table dimensions and location of Ø150 mm hole – C – central, R – right side, L- left side

### Sinks on left side



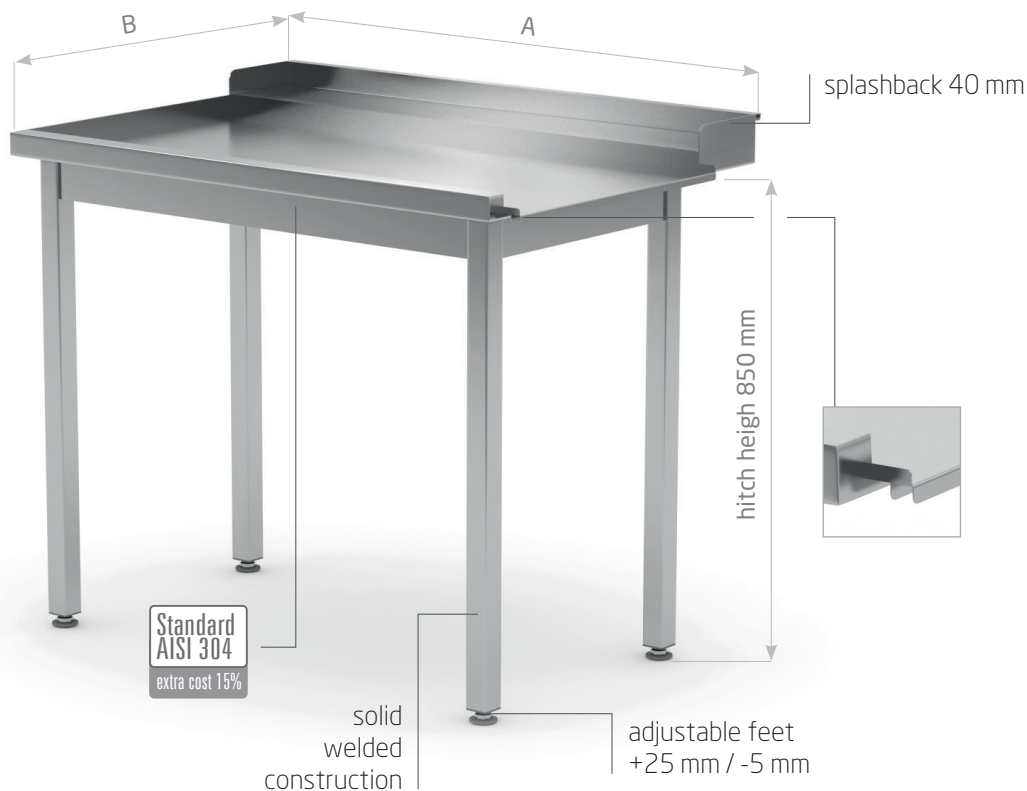
POL-246-L

### Sinks on right side



POL-246-P

A mm	B = 600 mm			B = 700 mm			B = 600 mm			B = 700 mm		
	sink 400x400x(h)250 mm			sink 400x400x(h)250 mm			sink 400x400x(h)250 mm			sink 400x400x(h)250 mm		
	code	weight kg	price €	code	weight kg	price €	code	weight kg	price €	code	weight kg	price €
1500	246156-L	30	1 076,-	246157-L	31	1 115,-	246156-P	30	1 076,-	246157-P	31	1 115,-
1600	246166-L	31	1 103,-	246167-L	32	1 143,-	246166-P	31	1 103,-	246167-P	32	1 143,-
1700	246176-L	32	1 126,-	246177-L	33	1 168,-	246176-P	32	1 126,-	246177-P	33	1 168,-
1800	246186-L	33	1 153,-	246187-L	34	1 196,-	246186-P	33	1 153,-	246187-P	34	1 196,-
1900	246196-L	34	1 178,-	246197-L	35	1 224,-	246196-P	34	1 178,-	246197-P	35	1 224,-



## Unloading table for dishwashers without shelf

Left



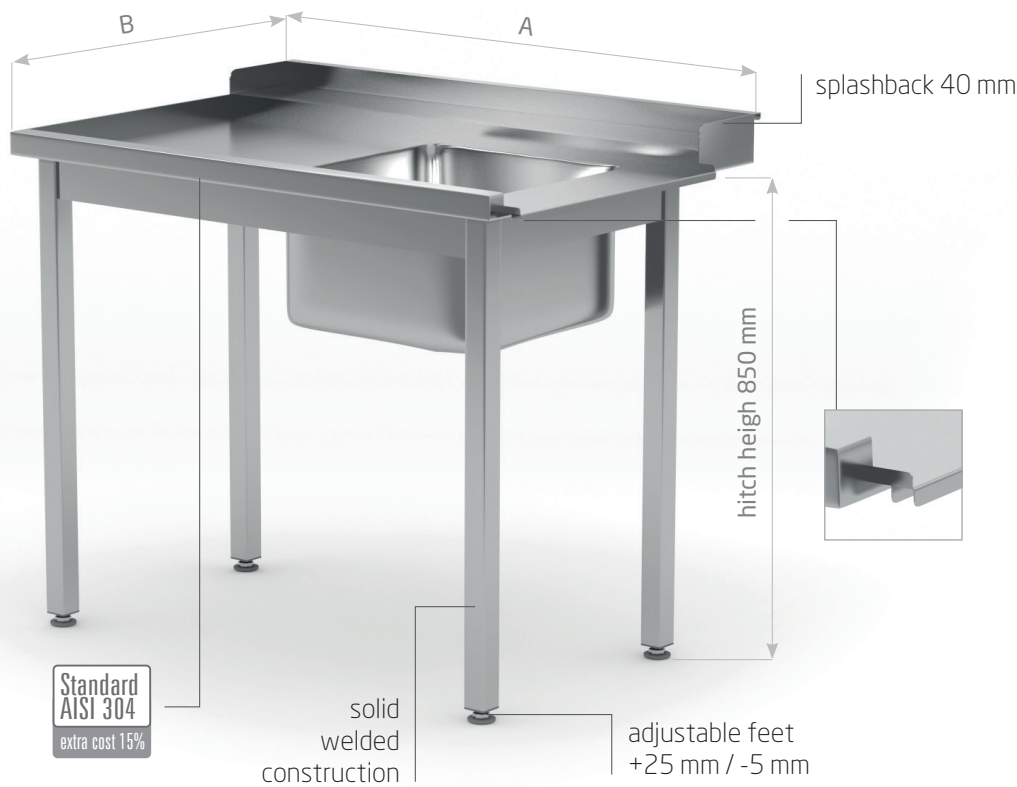
POL-247-L

Right



POL-247-P

A mm	B = 700 mm			B = 760 mm			A mm	B = 700 mm			B = 760 mm		
	code	weight kg	price €	code	weight kg	price €		code	weight kg	price €	code	weight kg	price €
800	247087-L	17	657,-	247087-760-L	18	723,-	800	247087-P	17	657,-	247087-760-P	18	723,-
900	247097-L	18	688,-	247097-760-L	19	757,-	900	247097-P	18	688,-	247097-760-P	19	757,-
1000	247107-L	19	723,-	247107-760-L	20	796,-	1000	247107-P	19	723,-	247107-760-P	20	796,-
1100	247117-L	20	758,-	247117-760-L	21	835,-	1100	247117-P	20	758,-	247117-760-P	21	835,-
1200	247127-L	21	790,-	247127-760-L	22	870,-	1200	247127-P	21	790,-	247127-760-P	22	870,-
1300	247137-L	22	824,-	247137-760-L	23	906,-	1300	247137-P	22	824,-	247137-760-P	23	906,-
1400	247147-L	23	856,-	247147-760-L	24	943,-	1400	247147-P	23	856,-	247147-760-P	24	943,-



## Loading table for dishwashers with sink without shelf

- tap hole Ø35 mm – by special request
- cutting out a hole for a waste disposal unit is possible – optional extra 49 €

Left



POL-248-L

Right



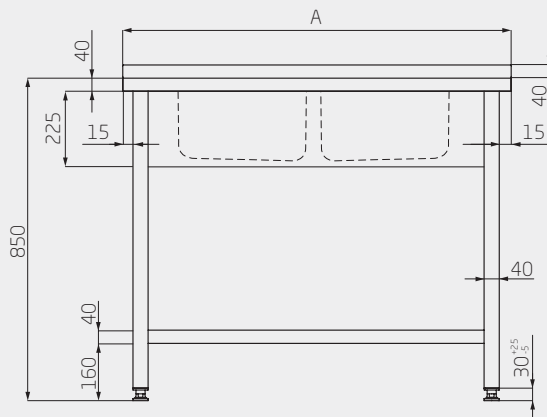
POL-248-P

A mm	B = 700 mm			B = 760 mm			B = 700 mm			B = 760 mm		
	sink 400x400x(h)250 mm			sink 400x400x(h)250 mm			sink 400x400x(h)250 mm			sink 400x400x(h)250 mm		
	code	weight kg	price €	code	weight kg	price €	code	weight kg	price €	code	weight kg	price €
800	248087-L	23	831,-	248087-760-L	24	913,-	248087-P	23	831,-	248087-760-P	24	913,-
900	248097-L	24	866,-	248097-760-L	25	951,-	248097-P	24	866,-	248097-760-P	25	951,-
1000	248107-L	26	901,-	248107-760-L	27	991,-	248107-P	26	901,-	248107-760-P	27	991,-
1100	248117-L	27	937,-	248117-760-L	28	1 031,-	248117-P	27	937,-	248117-760-P	28	1 031,-
1200	248127-L	29	972,-	248127-760-L	30	1 070,-	248127-P	29	972,-	248127-760-P	30	1 070,-
1300	248137-L	30	1 007,-	248137-760-L	31	1 110,-	248137-P	30	1 007,-	248137-760-P	31	1 110,-
1400	248147-L	32	1 042,-	248147-760-L	33	1 146,-	248147-P	32	1 042,-	248147-760-P	33	1 146,-

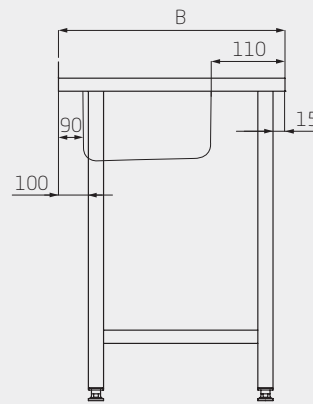
# Dimensions of tables with sink

**Table with two sinks**

front

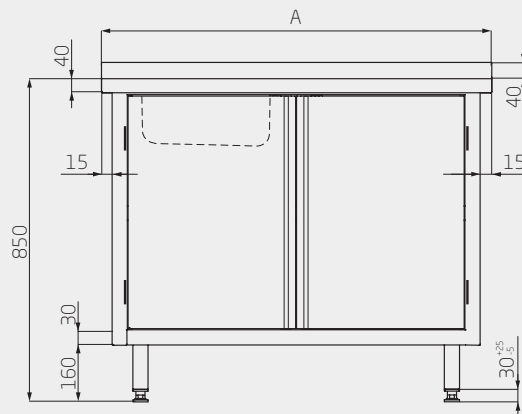


side

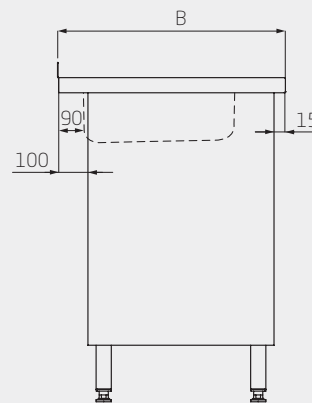


**Table with sink and cabinet with hinged doors**

front

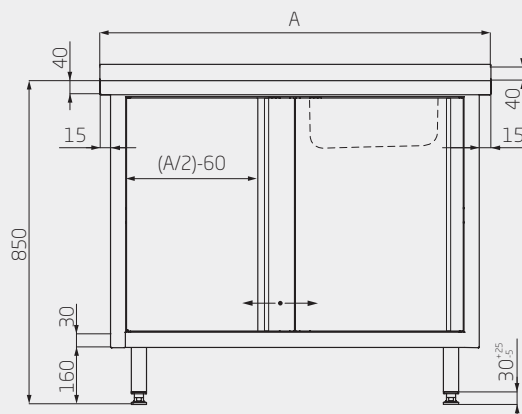


side

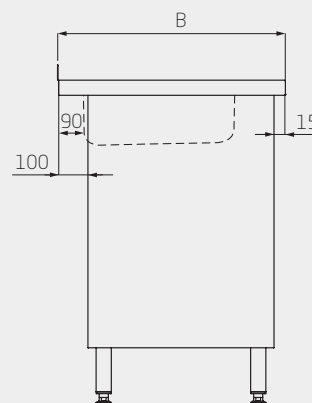


**Table with sink and cabinet with sliding doors**

front

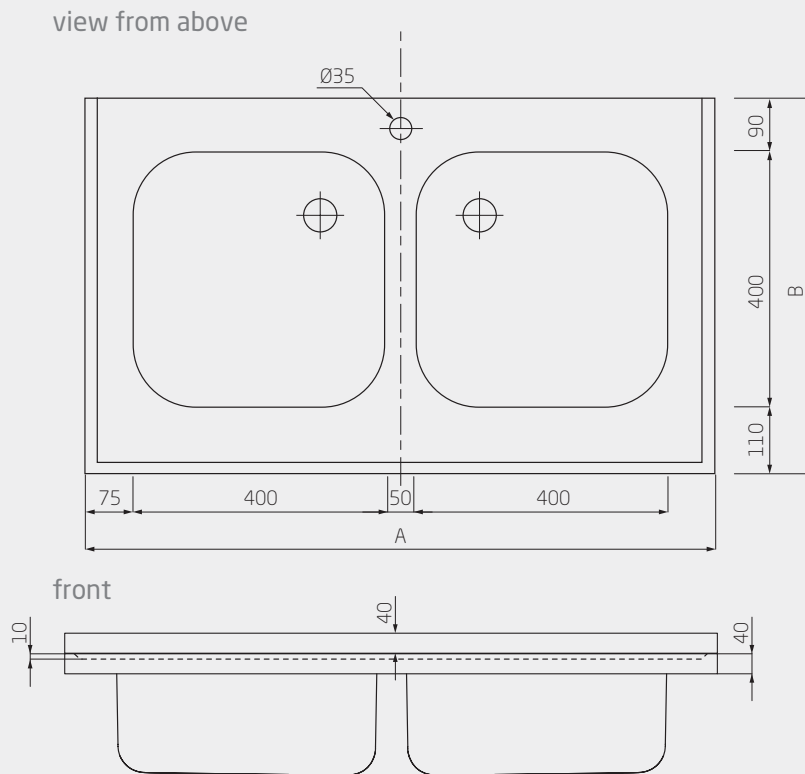


side

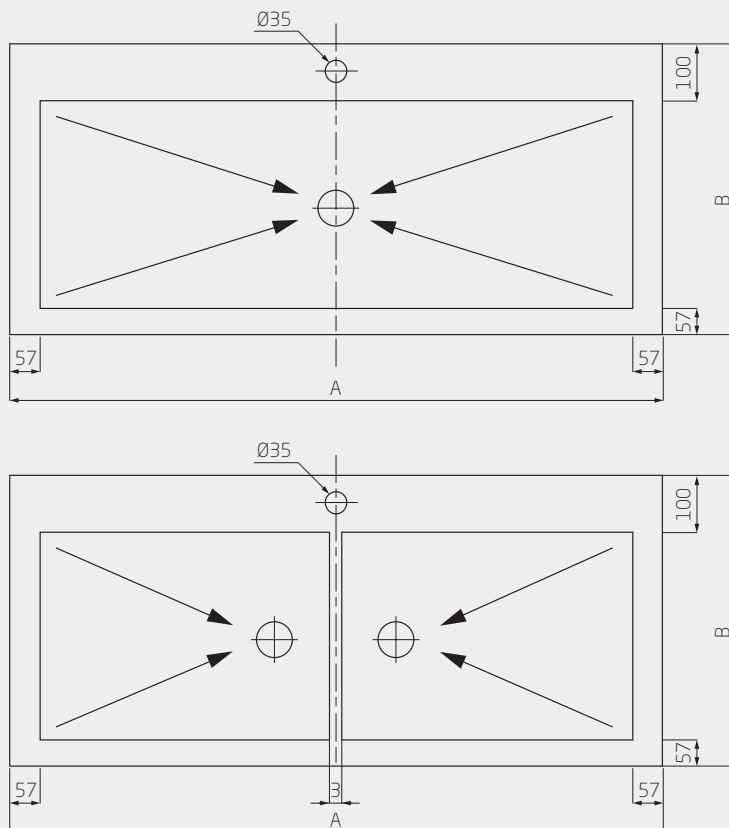




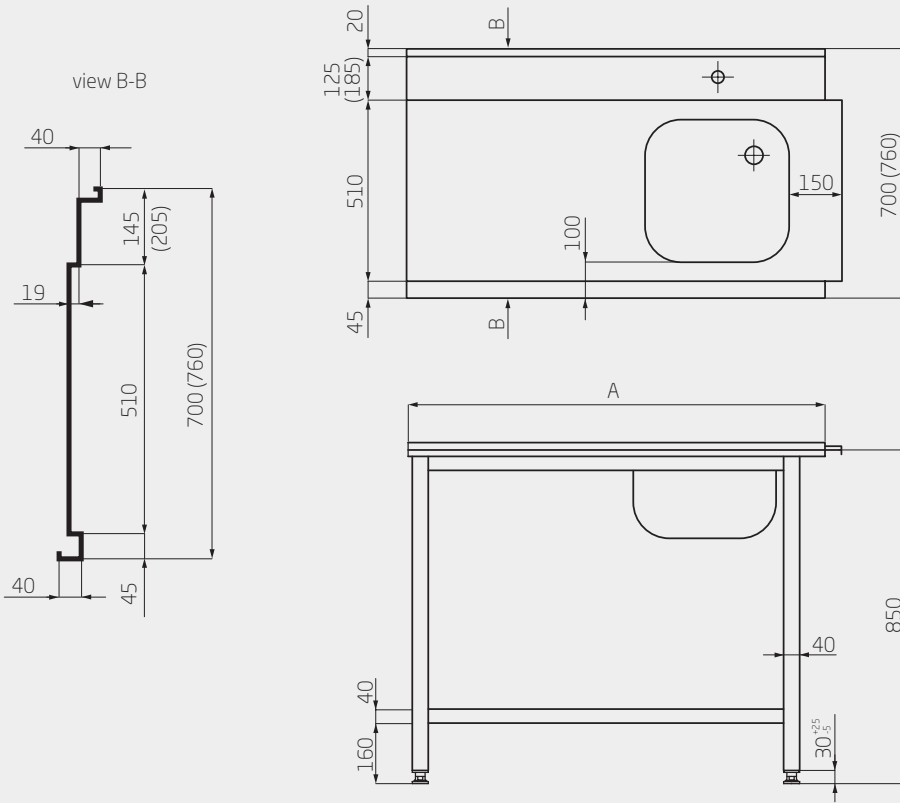
# Dimensions and sink location



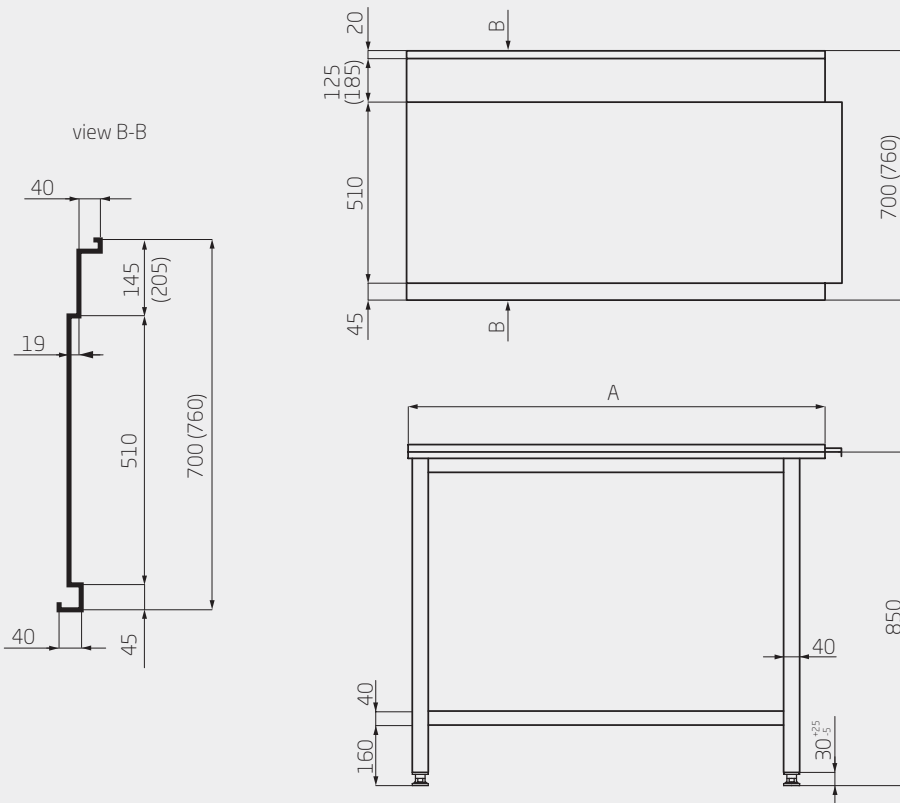
# Working dimensions of sink basin



# Loading table for dishwashers



# Unloading table for dishwashers







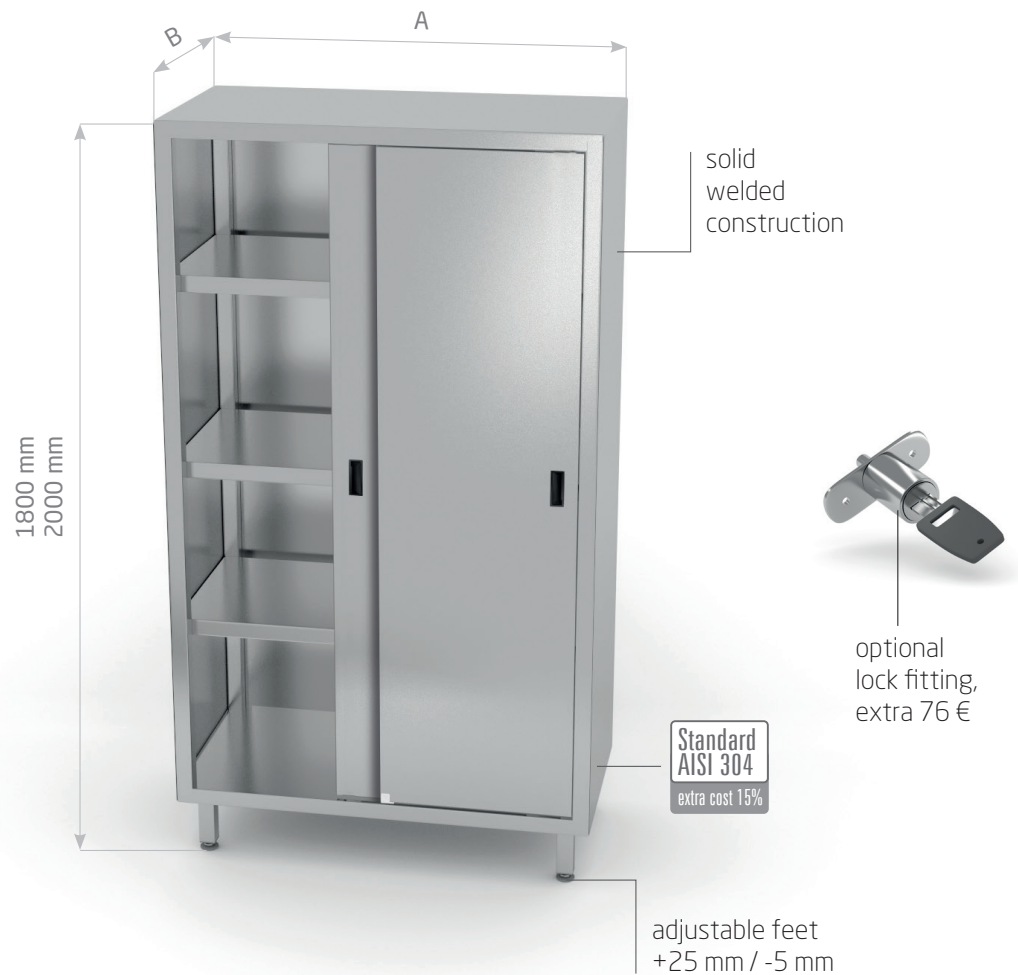
300

STORAGE CUPBOARDS,  
STORAGE RACKS, SHELVES

- welded construction - ensures stability and durability
- adjustable feet
- optional lock fitting
- wall cupboard fittings included
- static and mobile racks
- racks with adjustable shelves available

- furniture produced according to AISI 304 standards  
- extra cost next to each individual item
- approximate permissible load per worktop or shelf is 70 kg/m<sup>2</sup>. If heavier loads are expected, please contact us in order to modify the design.

 innovative magnetic closure



## Storage cupboard with sliding doors

- shelves in the cupboard are mounted permanently
- shelves with adjustable height, removable, for an extra cost of 181 €

POL-301

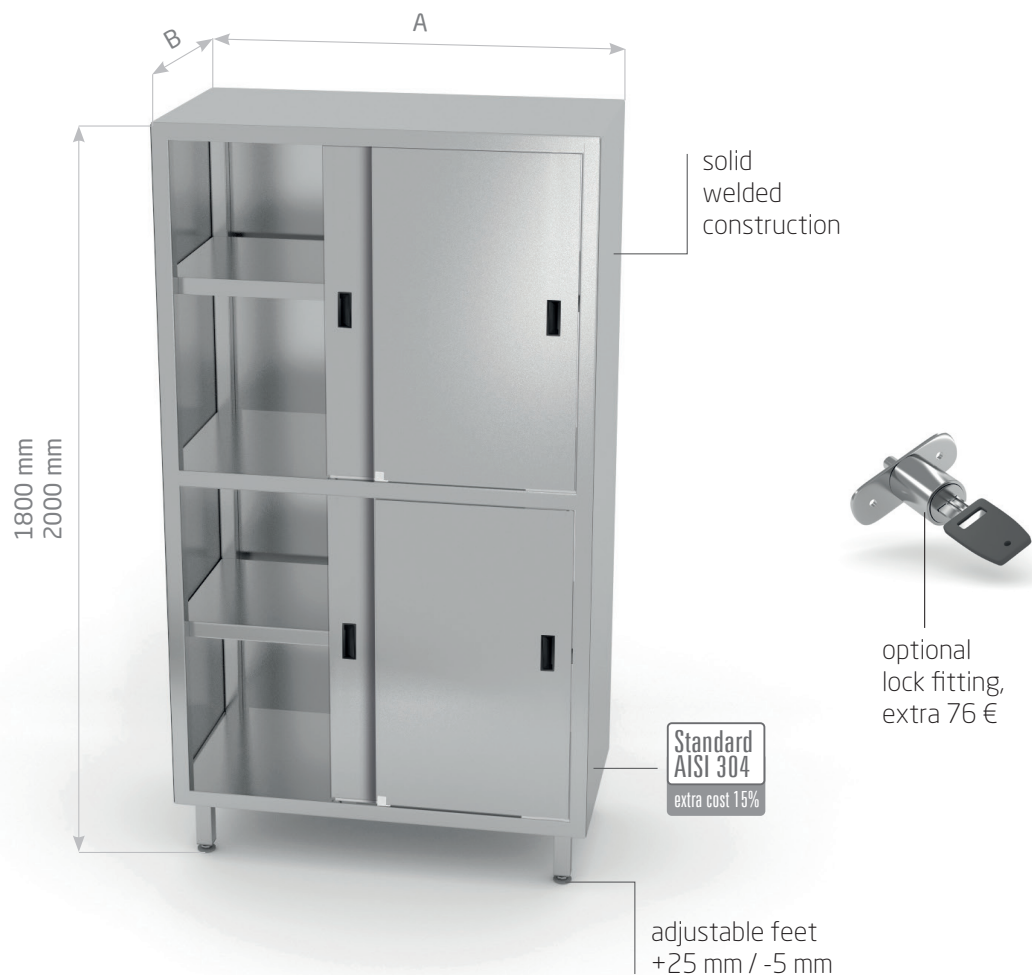
h = 1800 mm

A mm	B = 500 mm			B = 600 mm			B = 700 mm		
	code	weight kg	price €	code	weight kg	price €	code	weight kg	price €
800	301085	71	1 404,-	301086	77	1 481,-	301087	82	1 559,-
900	301095	77	1 496,-	301096	83	1 579,-	301097	89	1 663,-
1000	301105	83	1 587,-	301106	90	1 677,-	301107	96	1 767,-
1100	301115	89	1 680,-	301116	96	1 772,-	301117	103	1 868,-
1200	301125	95	1 772,-	301126	103	1 870,-	301127	110	1 971,-

POL-301-2

h = 2000 mm

A mm	B = 500 mm			B = 600 mm			B = 700 mm		
	code	weight kg	price €	code	weight kg	price €	code	weight kg	price €
800	301085-2	77	1 489,-	301086-2	83	1 571,-	301087-2	90	1 655,-
900	301095-2	83	1 587,-	301096-2	90	1 674,-	301097-2	96	1 764,-
1000	301105-2	90	1 687,-	301106-2	97	1 778,-	301107-2	103	1 873,-
1100	301115-2	96	1 783,-	301116-2	103	1 880,-	301117-2	110	1 982,-
1200	301125-2	103	1 884,-	301126-2	110	1 988,-	301127-2	117	2 090,-



300 STORAGE CUPBOARDS

## Storage cupboard with partition and sliding doors

- shelves in the cupboard are mounted permanently
- shelves with adjustable height, removable, for an extra cost of 181 €

POL-302

h = 1800 mm

A mm	B = 500 mm			B = 600 mm			B = 700 mm		
	code	weight kg	price €	code	weight kg	price €	code	weight kg	price €
800	302085	73	1 593,-	302086	79	1 671,-	302087	85	1 750,-
900	302095	79	1 691,-	302096	86	1 775,-	302097	92	1 858,-
1000	302105	86	1 789,-	302106	92	1 879,-	302107	99	1 967,-
1100	302115	92	1 890,-	302116	99	1 985,-	302117	106	2 078,-
1200	302125	98	1 991,-	302126	106	2 089,-	302127	113	2 188,-

POL-302-2

h = 2000 mm

A mm	B = 500 mm			B = 600 mm			B = 700 mm		
	code	weight kg	price €	code	weight kg	price €	code	weight kg	price €
800	302085-2	79	1 677,-	302086-2	85	1 761,-	302087-2	92	1 841,-
900	302095-2	86	1 783,-	302096-2	92	1 870,-	302097-2	99	1 959,-
1000	302105-2	92	1 890,-	302106-2	99	1 982,-	302107-2	106	2 074,-
1100	302115-2	99	1 996,-	302116-2	106	2 095,-	302117-2	114	2 193,-
1200	302125-2	106	2 103,-	302126-2	113	2 207,-	302127-2	121	2 306,-



## Double-sided cupboard with partition and sliding doors

- shelves in the cupboard are mounted permanently
- shelves with adjustable height, removable, for an extra cost of 181 €

POL-303

h = 1800 mm

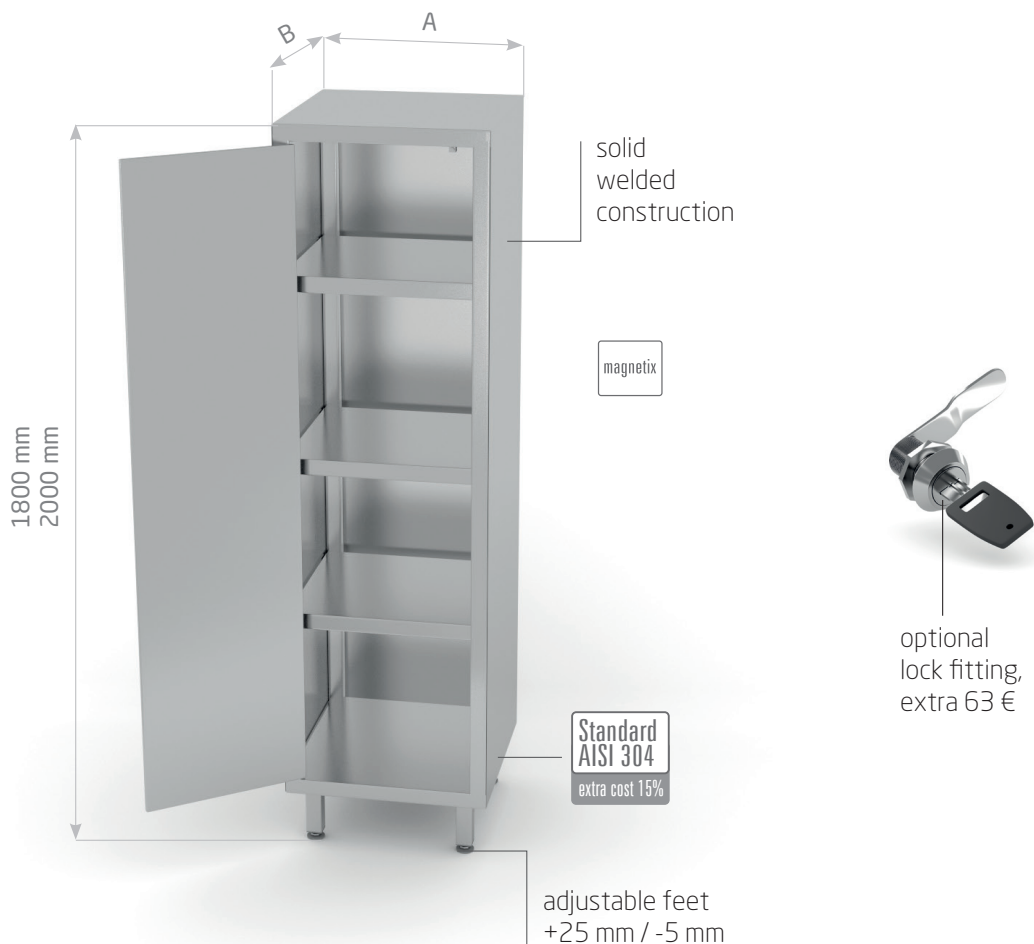
A mm	B = 500 mm			B = 600 mm			B = 700 mm		
	code	weight kg	price €	code	weight kg	price €	code	weight kg	price €
800	303085	85	2 002,-	303086	91	2 078,-	303087	97	2 152,-
900	303095	93	2 128,-	303096	99	2 207,-	303097	105	2 286,-
1000	303105	101	2 251,-	303106	107	2 335,-	303107	114	2 422,-
1100	303115	108	2 379,-	303116	115	2 469,-	303117	123	2 554,-
1200	303125	116	2 504,-	303126	124	2 597,-	303127	131	2 690,-

POL-303-2

h = 2000 mm

A mm	B = 500 mm			B = 600 mm			B = 700 mm		
	code	weight kg	price €	code	weight kg	price €	code	weight kg	price €
800	303085-2	92	2 111,-	303086-2	98	2 188,-	303087-2	105	2 270,-
900	303095-2	100	2 246,-	303096-2	107	2 330,-	303097-2	113	2 414,-
1000	303105-2	108	2 382,-	303106-2	115	2 469,-	303107-2	122	2 557,-
1100	303115-2	116	2 516,-	303116-2	123	2 609,-	303117-2	131	2 701,-
1200	303125-2	124	2 649,-	303126-2	132	2 747,-	303127-2	140	2 844,-





## Storage cupboard with hinged door

- shelves in the cupboard are mounted permanently
- shelves with adjustable height, removable, for an extra cost of 181 €

POL-304-W

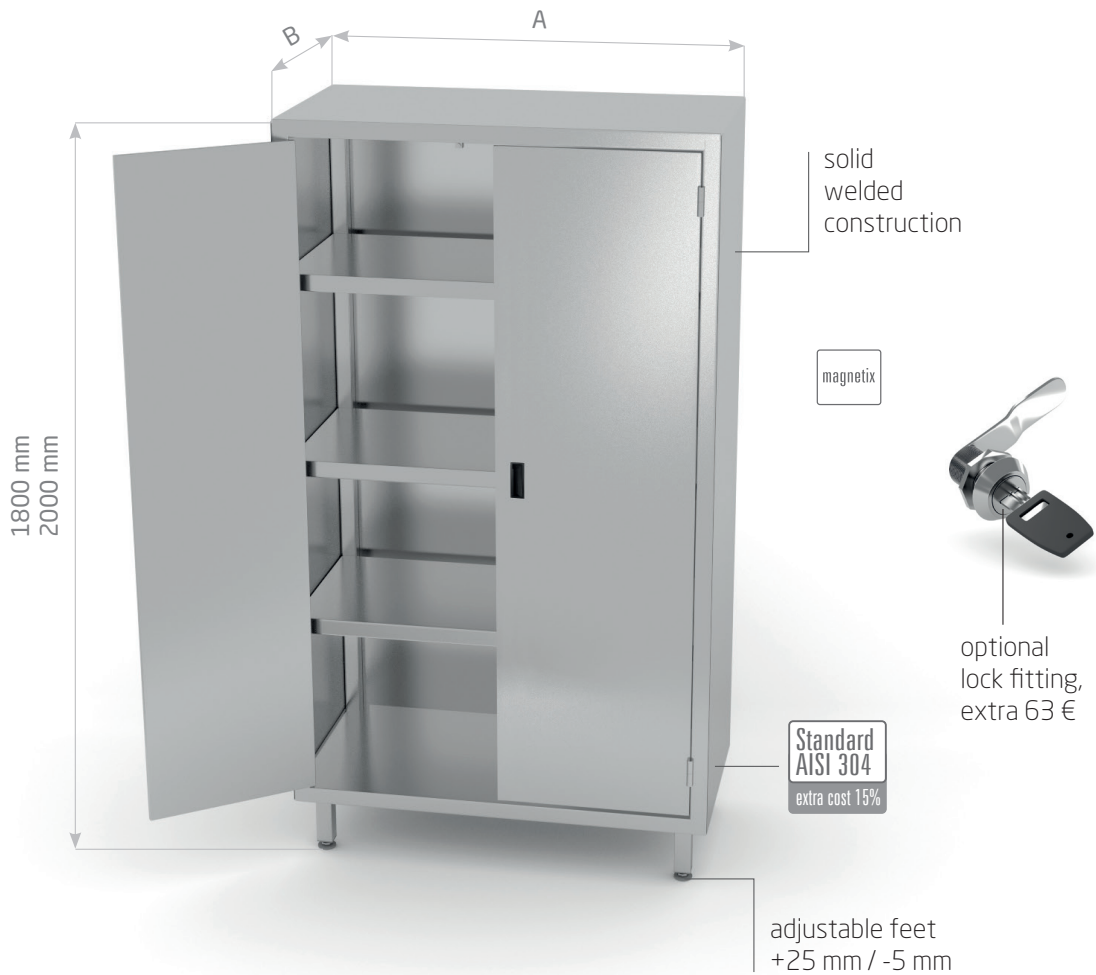
h = 1800 mm

A mm	B = 500 mm			B = 600 mm			B = 700 mm		
	code	weight kg	price €	code	weight kg	price €	code	weight kg	price €
400	304045-W	45	915,-	304046-W	49	972,-	304047-W	53	1 030,-
500	304055-W	50	998,-	304056-W	55	1 062,-	304057-W	61	1 125,-
600	304065-W	55	1 082,-	304066-W	61	1 150,-	304067-W	67	1 220,-

POL-304-2-W

h = 2000 mm

A mm	B = 500 mm			B = 600 mm			B = 700 mm		
	code	weight kg	price €	code	weight kg	price €	code	weight kg	price €
400	304045-2-W	49	970,-	304046-2-W	54	1 030,-	304047-2-W	59	1 090,-
500	304055-2-W	55	1 059,-	304056-2-W	60	1 125,-	304057-2-W	65	1 194,-
600	304065-2-W	61	1 150,-	304066-2-W	66	1 223,-	304067-2-W	71	1 295,-



## Storage cupboard with hinged doors

- shelves in the cupboard are mounted permanently
- shelves with adjustable height, removable, for an extra cost of 181 €

POL-304

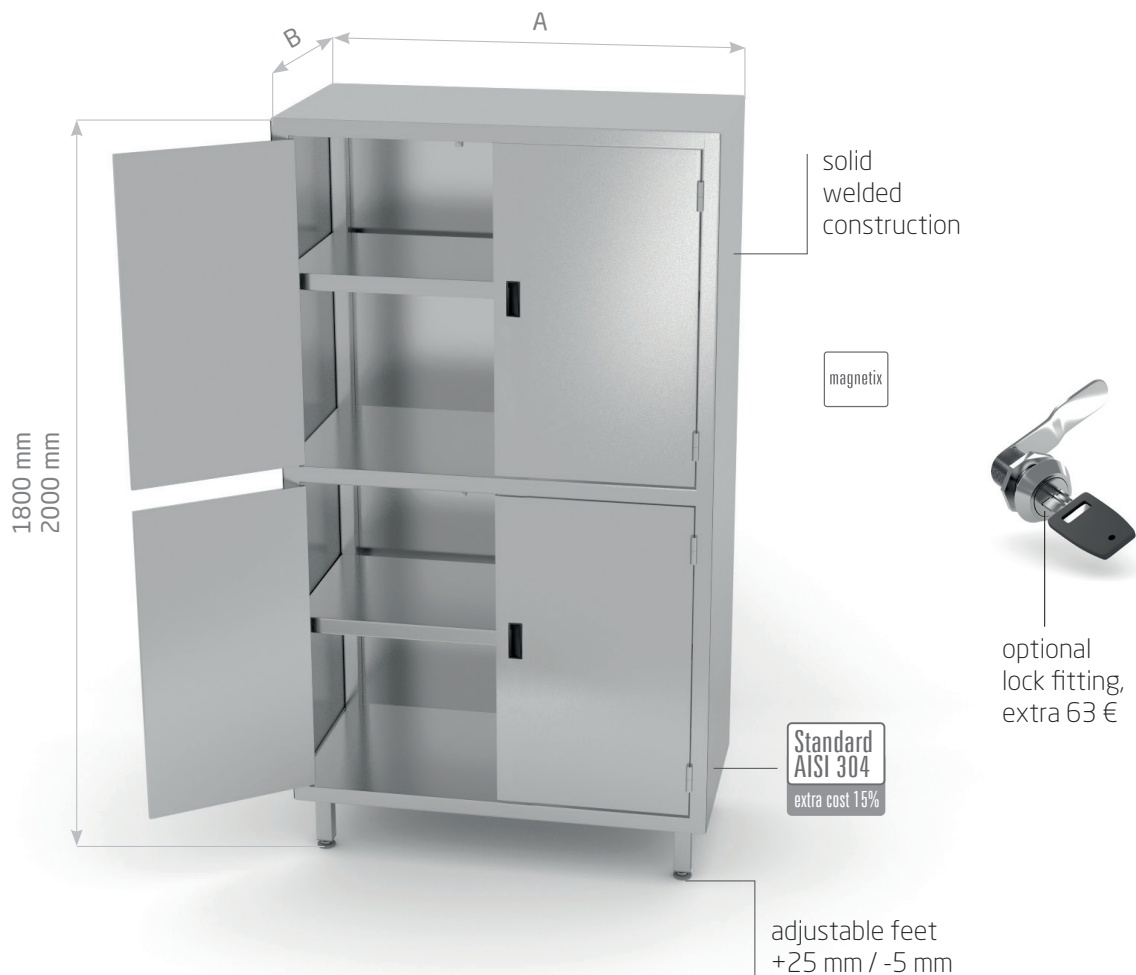
h = 1800 mm

A mm	B = 500 mm			B = 600 mm			B = 700 mm		
	code	weight kg	price €	code	weight kg	price €	code	weight kg	price €
700	304075	64	1 223,-	304076	68	1 296,-	304077	77	1 372,-
800	304085	70	1 309,-	304086	76	1 387,-	304087	83	1 467,-
900	304095	76	1 395,-	304096	83	1 478,-	304097	89	1 562,-
1000	304105	83	1 481,-	304106	89	1 571,-	304107	96	1 660,-
1100	304115	89	1 568,-	304116	96	1 660,-	304117	102	1 754,-
1200	304125	95	1 655,-	304126	102	1 751,-	304127	108	1 852,-

POL-304-2

h = 2000 mm

A mm	B = 500 mm			B = 600 mm			B = 700 mm		
	code	weight kg	price €	code	weight kg	price €	code	weight kg	price €
700	304075-2	69	1 300,-	304076-2	77	1 380,-	304077-2	82	1 457,-
800	304085-2	76	1 393,-	304086-2	83	1 477,-	304087-2	89	1 559,-
900	304095-2	83	1 485,-	304096-2	89	1 573,-	304097-2	96	1 660,-
1000	304105-2	89	1 576,-	304106-2	96	1 671,-	304107-2	103	1 764,-
1100	304115-2	96	1 671,-	304116-2	103	1 769,-	304117-2	110	1 868,-
1200	304125-2	102	1 764,-	304126-2	110	1 868,-	304127-2	117	1 971,-



**300 STORAGE CUPBOARDS**

## Storage cupboard with partition and hinged doors

- shelves in the cupboard are mounted permanently
- shelves with adjustable height, removable, for an extra cost of 181 €

POL-305

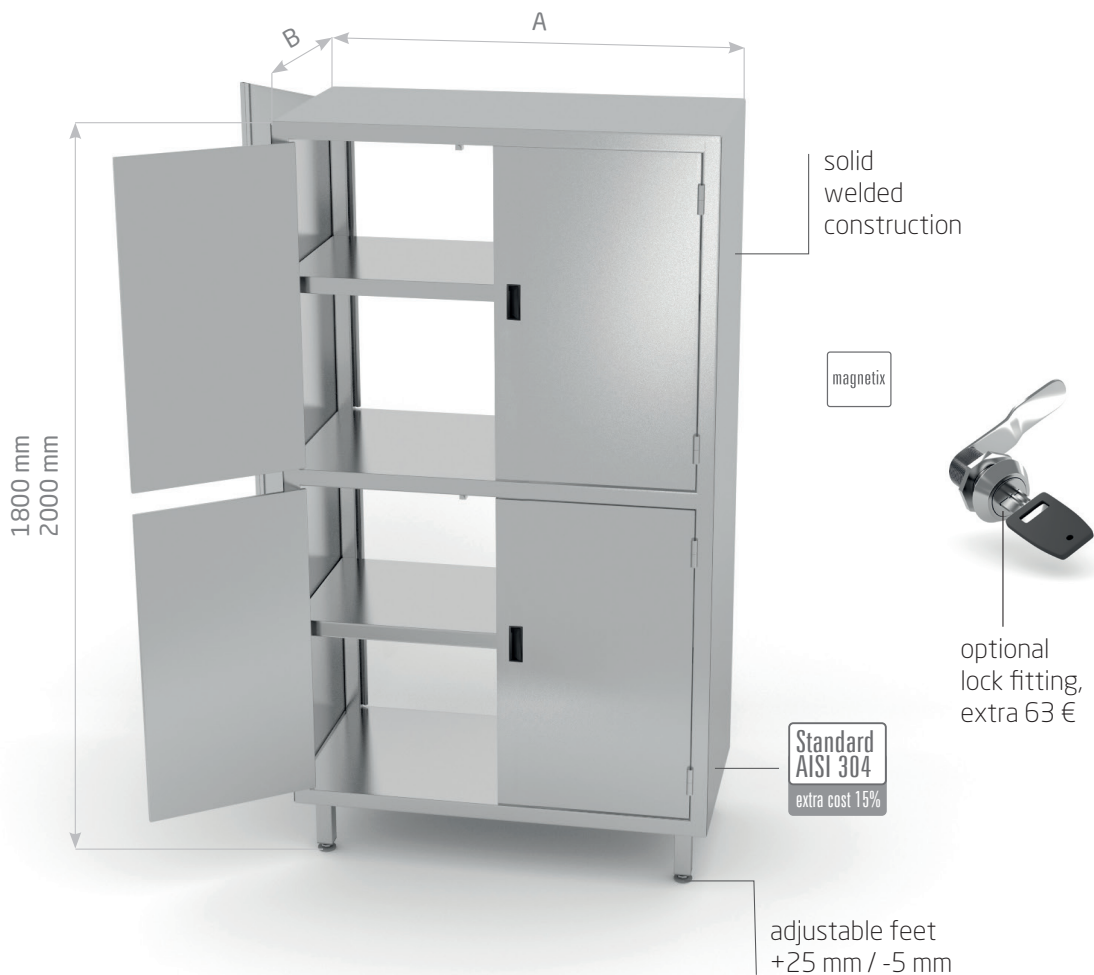
h = 1800 mm

A mm	B = 500 mm			B = 600 mm			B = 700 mm		
	code	weight kg	price €	code	weight kg	price €	code	weight kg	price €
800	305085	73	1 349,-	305086	79	1 423,-	305087	85	1 502,-
900	305095	78	1 432,-	305096	85	1 516,-	305097	91	1 596,-
1000	305105	84	1 519,-	305106	91	1 606,-	305107	99	1 695,-
1100	305115	90	1 606,-	305116	98	1 698,-	305117	107	1 789,-
1200	305125	96	1 691,-	305126	105	1 789,-	305127	115	1 887,-

POL-305-2

h = 2000 mm

A mm	B = 500 mm			B = 600 mm			B = 700 mm		
	code	weight kg	price €	code	weight kg	price €	code	weight kg	price €
800	305085-2	78	1 432,-	305086-2	85	1 513,-	305087-2	92	1 593,-
900	305095-2	85	1 526,-	305096-2	92	1 611,-	305097-2	99	1 698,-
1000	305105-2	92	1 617,-	305106-2	99	1 709,-	305107-2	106	1 799,-
1100	305115-2	99	1 709,-	305116-2	106	1 806,-	305117-2	113	1 901,-
1200	305125-2	105	1 800,-	305126-2	113	1 905,-	305127-2	121	2 005,-



## Double-sided cupboard with partition and hinged doors

- shelves in the cupboard are mounted permanently
- shelves with adjustable height, removable, for an extra cost of 181 €

POL-306

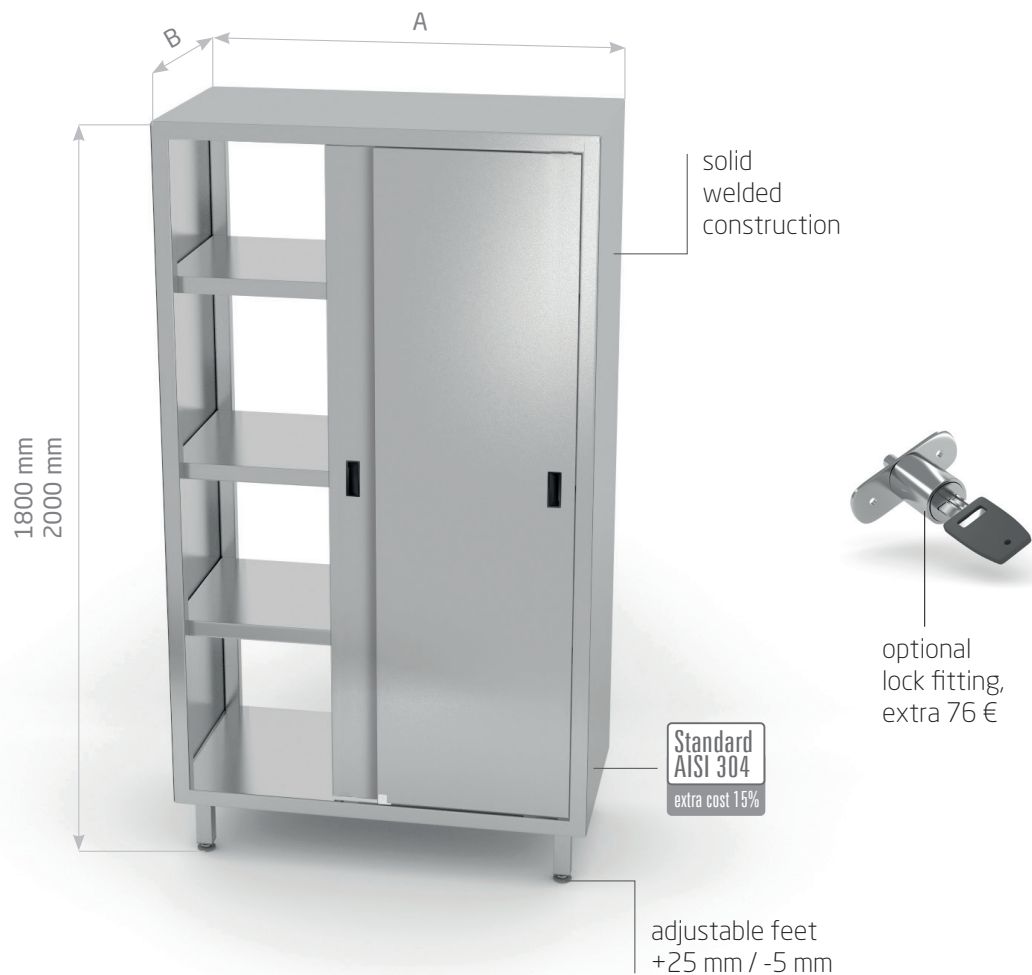
h = 1800 mm

A mm	B = 500 mm			B = 600 mm			B = 700 mm		
	code	weight kg	price €	code	weight kg	price €	code	weight kg	price €
800	306085	81	1 636,-	306086	87	1 715,-	306087	93	1 792,-
900	306095	88	1 743,-	306096	95	1 826,-	306097	101	1 910,-
1000	306105	95	1 852,-	306106	102	1 939,-	306107	109	2 024,-
1100	306115	102	1 959,-	306116	110	2 051,-	306117	117	2 144,-
1200	306125	110	2 065,-	306126	117	2 163,-	306127	125	2 261,-

POL-306-2

h = 2000 mm

A mm	B = 500 mm			B = 600 mm			B = 700 mm		
	code	weight kg	price €	code	weight kg	price €	code	weight kg	price €
800	306085-2	88	1 750,-	306086-2	92	1 830,-	306087-2	95	1 910,-
900	306095-2	96	1 865,-	306096-2	102	1 950,-	306097-2	109	2 037,-
1000	306105-2	103	1 980,-	306106-2	113	2 071,-	306107-2	123	2 163,-
1100	306115-2	111	2 097,-	306116-2	124	2 193,-	306117-2	137	2 289,-
1200	306125-2	119	2 215,-	306126-2	135	2 316,-	306127-2	151	2 417,-



300 STORAGE CUPBOARDS

## Double-sided cupboard with sliding doors

- shelves in the cupboard are mounted permanently

POL-311

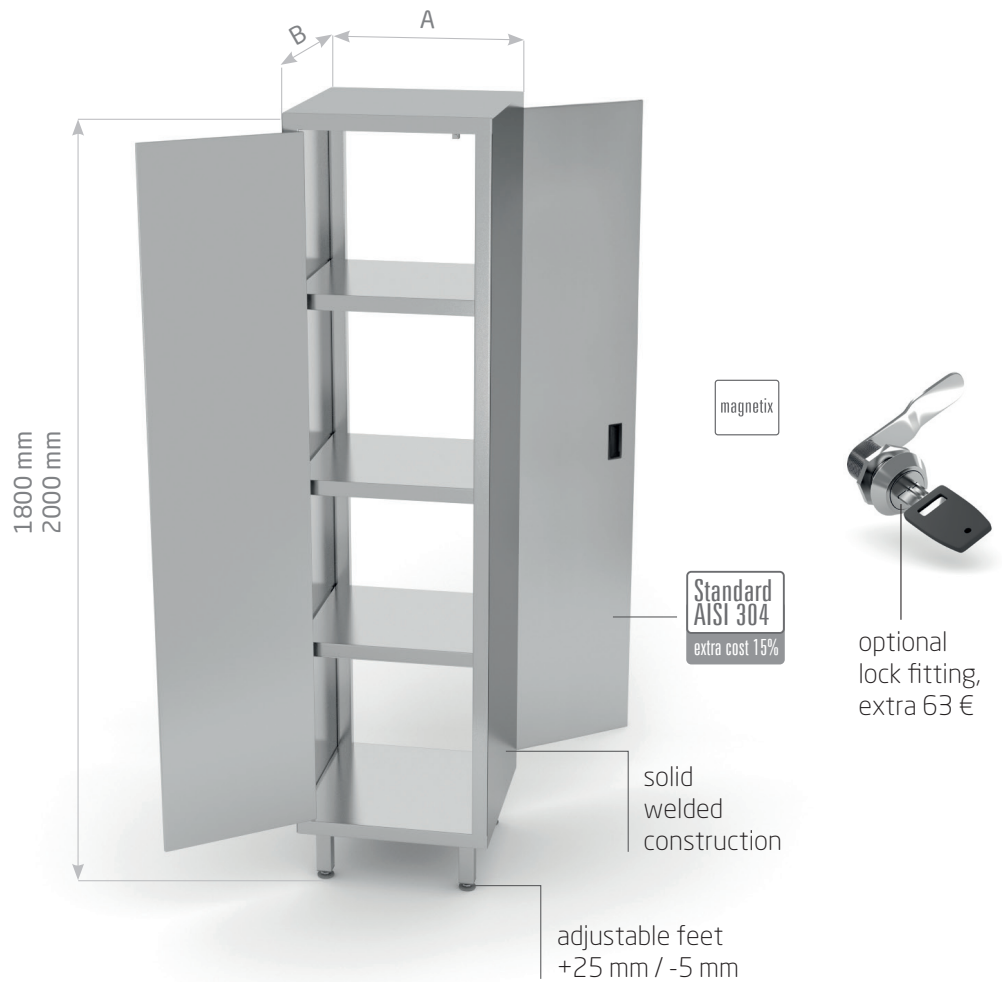
h = 1800 mm

A mm	B = 500 mm			B = 600 mm			B = 700 mm		
	code	weight kg	price €	code	weight kg	price €	code	weight kg	price €
800	311085	95	1 674,-	311086	103	1 754,-	311087	111	1 833,-
900	311095	104	1 778,-	311096	112	1 861,-	311097	120	1 947,-
1000	311105	112	1 880,-	311106	121	1 971,-	311107	130	2 059,-
1100	311115	120	1 985,-	311116	129	2 081,-	311117	139	2 174,-
1200	311125	129	2 089,-	311126	138	2 188,-	311127	148	2 286,-

POL-311-2

h = 2000 mm

A mm	B = 500 mm			B = 600 mm			B = 700 mm		
	code	weight kg	price €	code	weight kg	price €	code	weight kg	price €
800	311085-2	102	1 772,-	311086-2	111	1 855,-	311087-2	119	1 939,-
900	311095-2	111	1 880,-	311096-2	120	1 971,-	311097-2	129	2 059,-
1000	311105-2	119	1 994,-	311106-2	129	2 086,-	311107-2	139	2 180,-
1100	311115-2	128	2 103,-	311116-2	138	2 204,-	311117-2	148	2 300,-
1200	311125-2	136	2 215,-	311126-2	147	2 319,-	311127-2	158	2 422,-



## Double-sided cupboard with hinged doors

- shelves in the cupboard are mounted permanently

POL-312-W

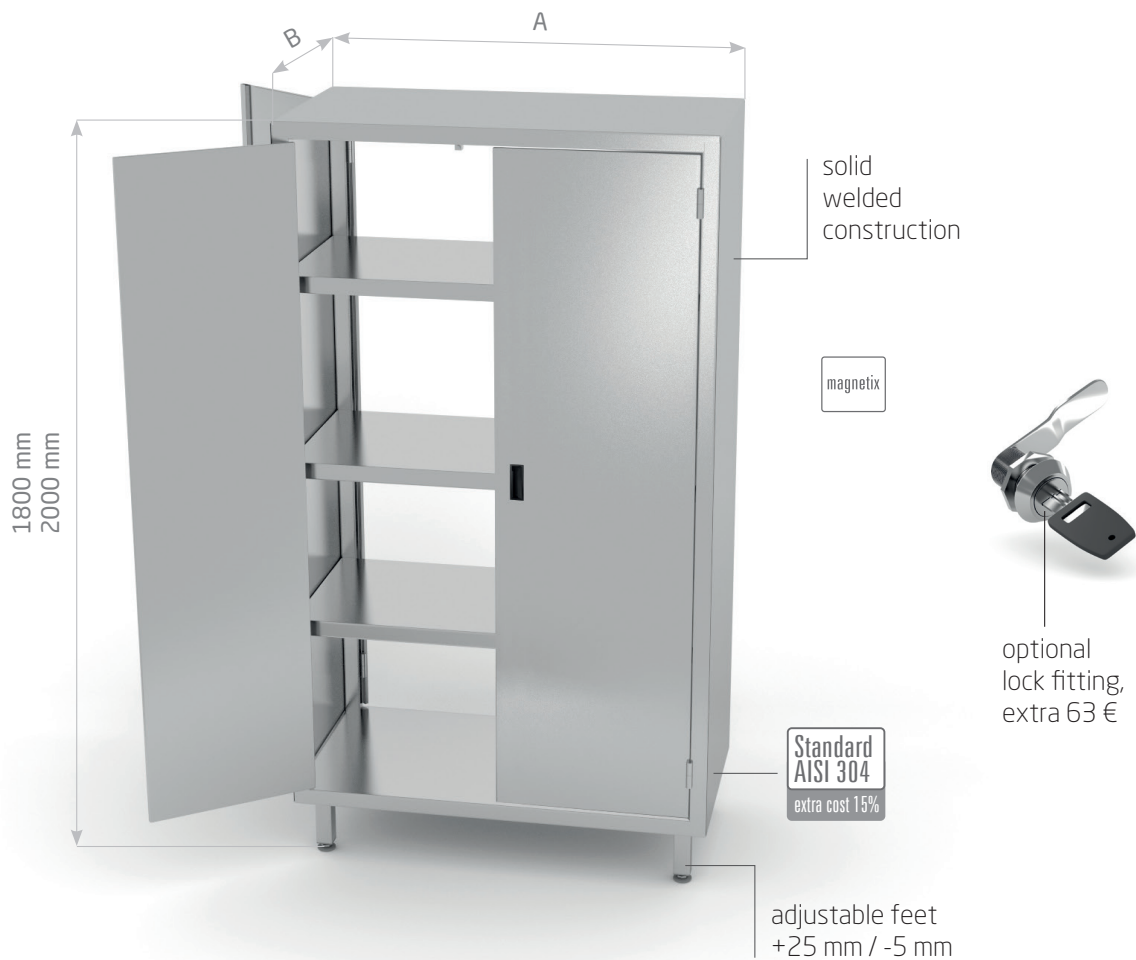
h = 1800 mm

A mm	B = 500 mm			B = 600 mm			B = 700 mm		
	code	weight kg	price €	code	weight kg	price €	code	weight kg	price €
400	312045-W	48	1 013,-	312046-W	49	1 070,-	312047-W	55	1 128,-
500	312055-W	53	1 103,-	312056-W	55	1 161,-	312057-W	61	1 226,-
600	312065-W	58	1 188,-	312066-W	61	1 258,-	312067-W	67	1 325,-

POL-312-2-W

h = 2000 mm

A mm	B = 500 mm			B = 600 mm			B = 700 mm		
	code	weight kg	price €	code	weight kg	price €	code	weight kg	price €
400	312045-2-W	49	1 073,-	312046-2-W	54	1 133,-	312047-2-W	60	1 194,-
500	312055-2-W	55	1 168,-	312056-2-W	60	1 233,-	312057-2-W	66	1 300,-
600	312065-2-W	61	1 262,-	312066-2-W	66	1 335,-	312067-2-W	72	1 409,-



300 STORAGE CUPBOARDS

## Double-sided cupboard with hinged doors

- shelves in the cupboard are mounted permanently

POL-312

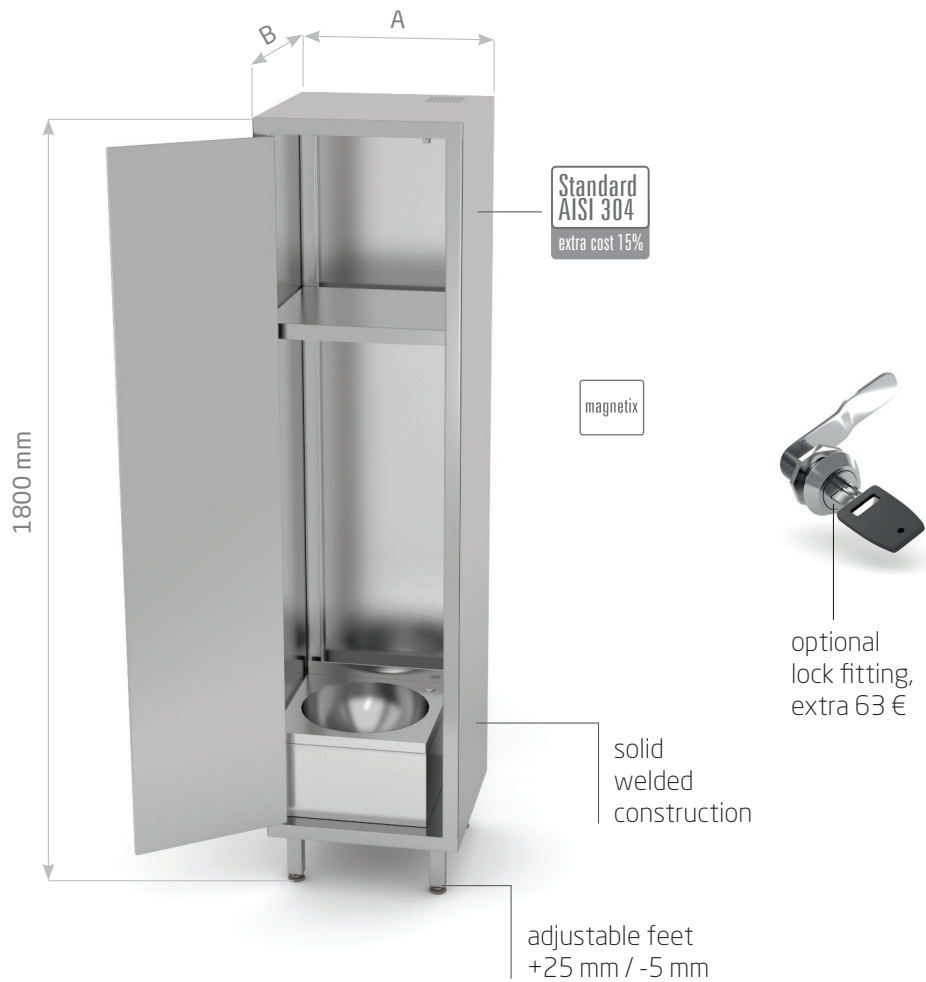
h = 1800 mm

A mm	B = 500 mm			B = 600 mm			B = 700 mm		
	code	weight kg	price €	code	weight kg	price €	code	weight kg	price €
700	312075	78	1 439,-	312076	85	1 506,-	312077	91	1 580,-
800	312085	86	1 543,-	312086	93	1 620,-	312087	100	1 698,-
900	312095	94	1 645,-	312096	101	1 732,-	312097	109	1 816,-
1000	312105	101	1 751,-	312106	109	1 841,-	312107	118	1 931,-
1100	312115	109	1 861,-	312116	118	1 953,-	312117	127	2 048,-
1200	312125	117	1 967,-	312126	126	2 069,-	312127	135	2 166,-

POL-312-2

h = 2000 mm

A mm	B = 500 mm			B = 600 mm			B = 700 mm		
	code	weight kg	price €	code	weight kg	price €	code	weight kg	price €
700	312075-2	85	1 534,-	312076-2	87	1 611,-	312077-2	89	1 687,-
800	312085-2	93	1 649,-	312086-2	97	1 732,-	312087-2	102	1 813,-
900	312095-2	101	1 764,-	312096-2	109	1 852,-	312097-2	117	1 939,-
1000	312105-2	109	1 879,-	312106-2	121	1 973,-	312107-2	132	2 065,-
1100	312115-2	117	1 996,-	312116-2	132	2 095,-	312117-2	147	2 193,-
1200	312125-2	126	2 111,-	312126-2	144	2 215,-	312127-2	162	2 319,-



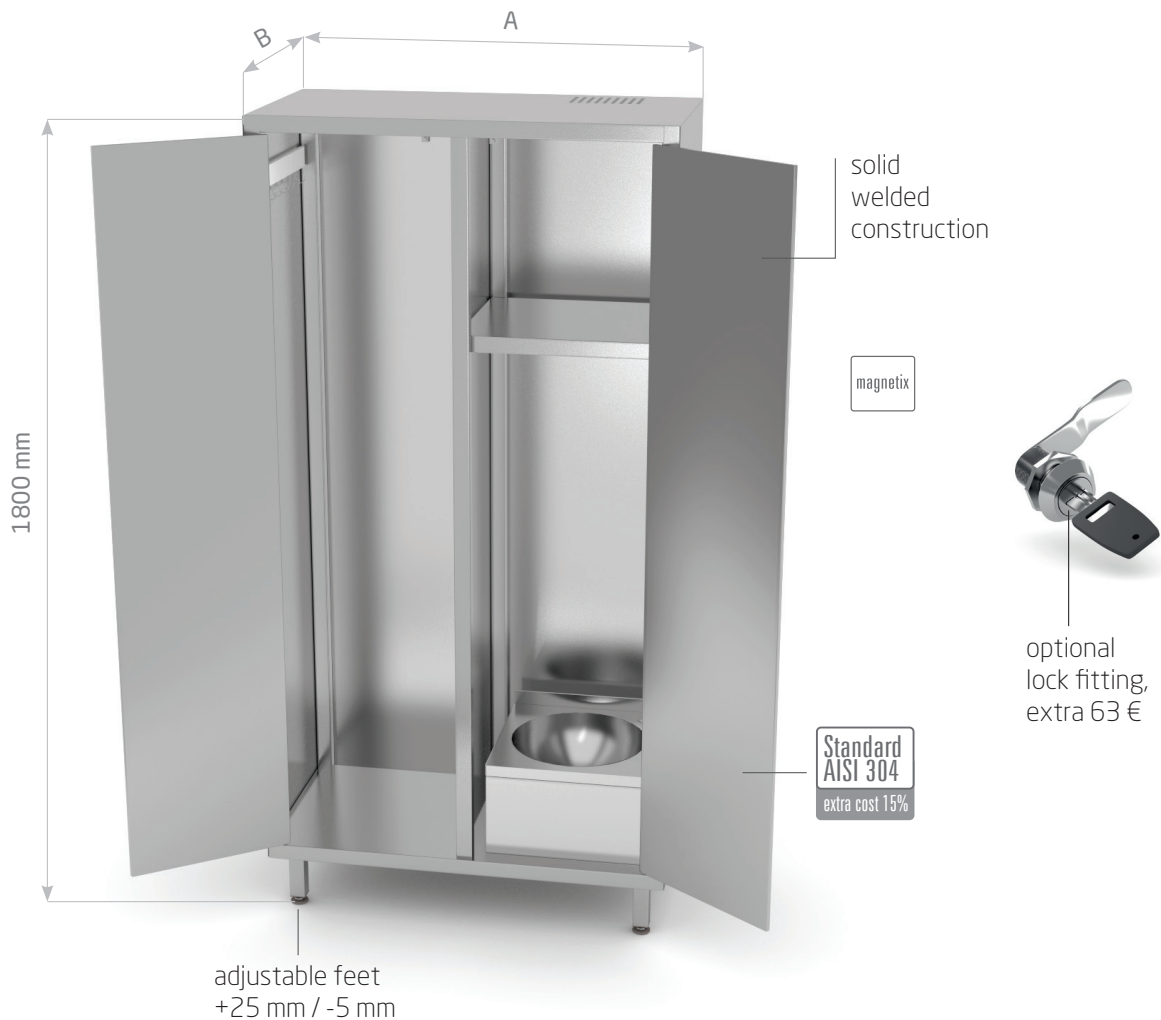
## Storage cupboard with basin and hinged doors

- built-in basin, round sink of Ø 330 mm and (h) 120 mm
- shelf in the cupboard are mounted permanently

POL-318

A mm	B = 500 mm		
	code	weight kg	price €
500	318055	60	1 136,-





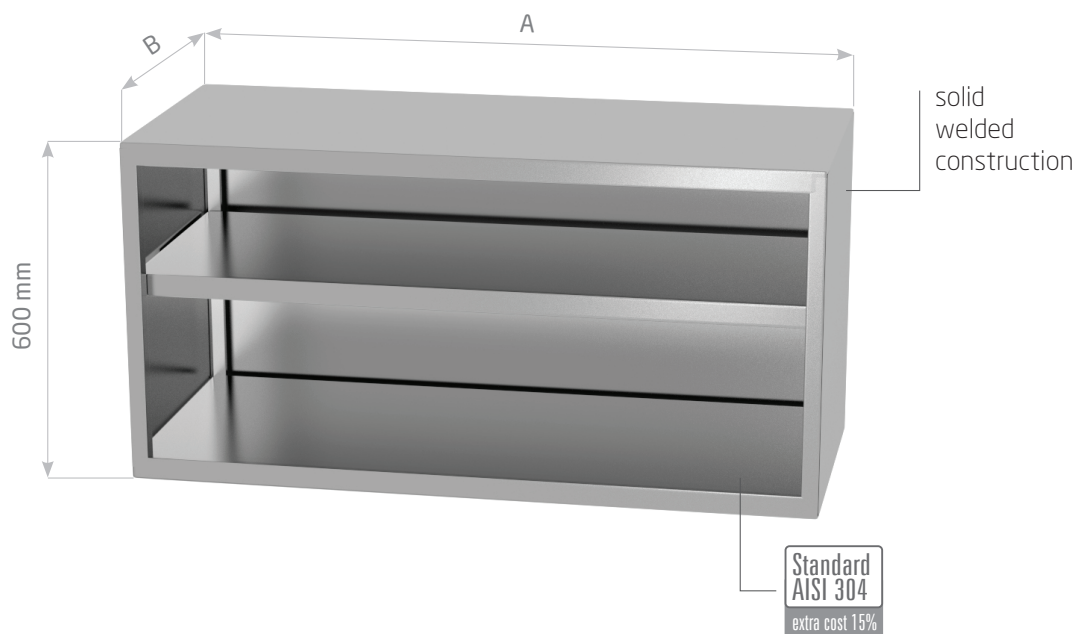
## Storage cupboard with basin and hinged doors

- built-in basin, round sink of Ø 330 mm and (h) 120 mm
- shelf in the cupboard are mounted permanently
- 4 hanging hooks on left side

POL-319

A mm	B = 500 mm		
	code	weight kg	price €
1000	319105	89	1 694,-

300 STORAGE CUPBOARDS

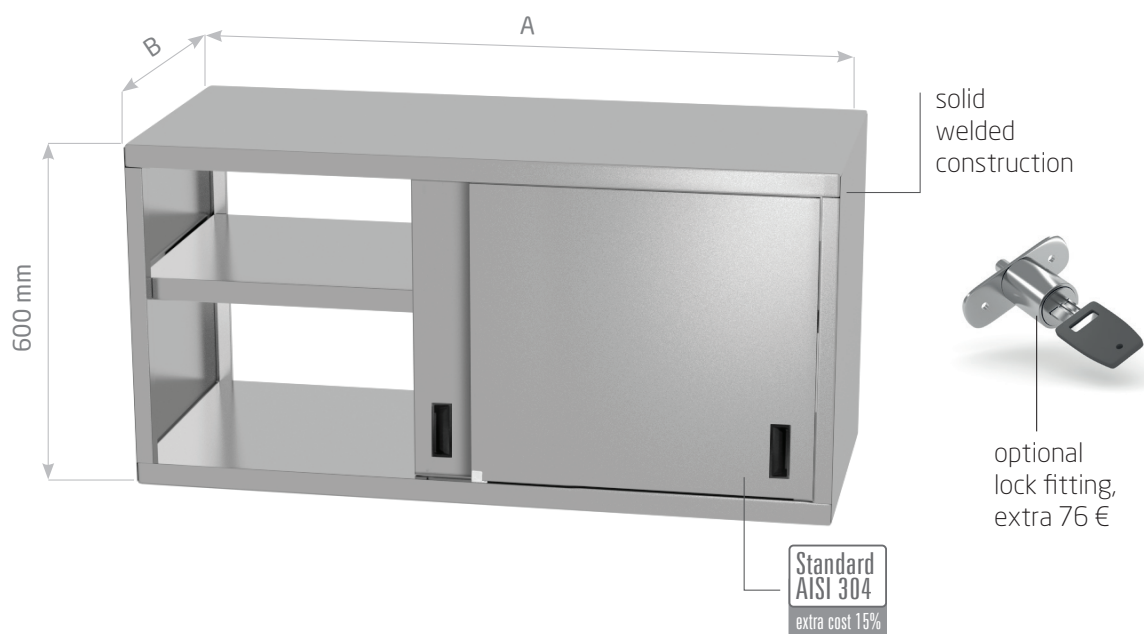


## Open wall mounted storage cupboard

- easy to remove shelf, non-adjustable
- hanging fixtures included

### POL-307

A mm	B = 300 mm			B = 400 mm		
	code	weight kg	price €	code	weight kg	price €
400	307043	13	262,-	307044	17	289,-
500	307053	14	279,-	307054	18	308,-
600	307063	15	297,-	307064	19	328,-
700	307073	16	314,-	307074	20	349,-
800	307083	17	331,-	307084	21	368,-
900	307093	18	349,-	307094	22	388,-
1000	307103	19	366,-	307104	24	409,-
1100	307113	20	382,-	307114	25	429,-
1200	307123	21	401,-	307124	26	450,-
1300	307133	23	418,-	307134	27	469,-
1400	307143	24	434,-	307144	28	489,-
1500	307153	25	453,-	307154	29	509,-
1600	307163	26	469,-	307164	30	532,-

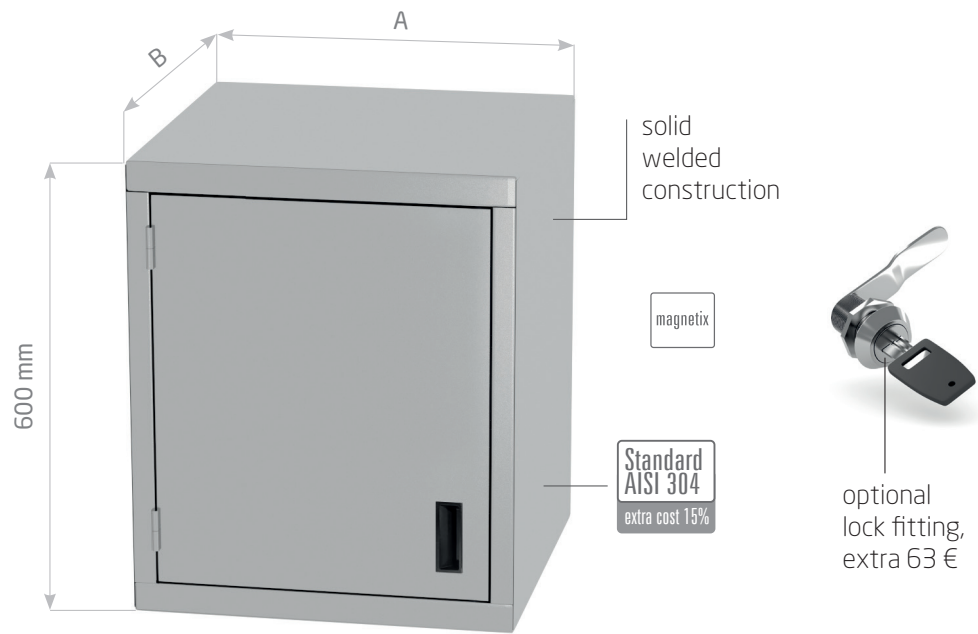


## Wall mounted storage cupboard with sliding doors

- easy to remove shelf, non-adjustable
- hanging fixtures included

### POL-309

A mm	B = 300 mm			B = 400 mm		
	code	weight kg	price €	code	weight kg	price €
800	309083	21	605,-	309084	27	642,-
900	309093	23	642,-	309094	29	682,-
1000	309103	25	679,-	309104	31	723,-
1100	309113	27	716,-	309114	33	762,-
1200	309123	29	754,-	309124	35	803,-
1300	309133	31	792,-	309134	38	843,-
1400	309143	32	829,-	309144	40	883,-
1500	309153	34	863,-	309154	42	923,-
1600	309163	36	901,-	309164	44	964,-

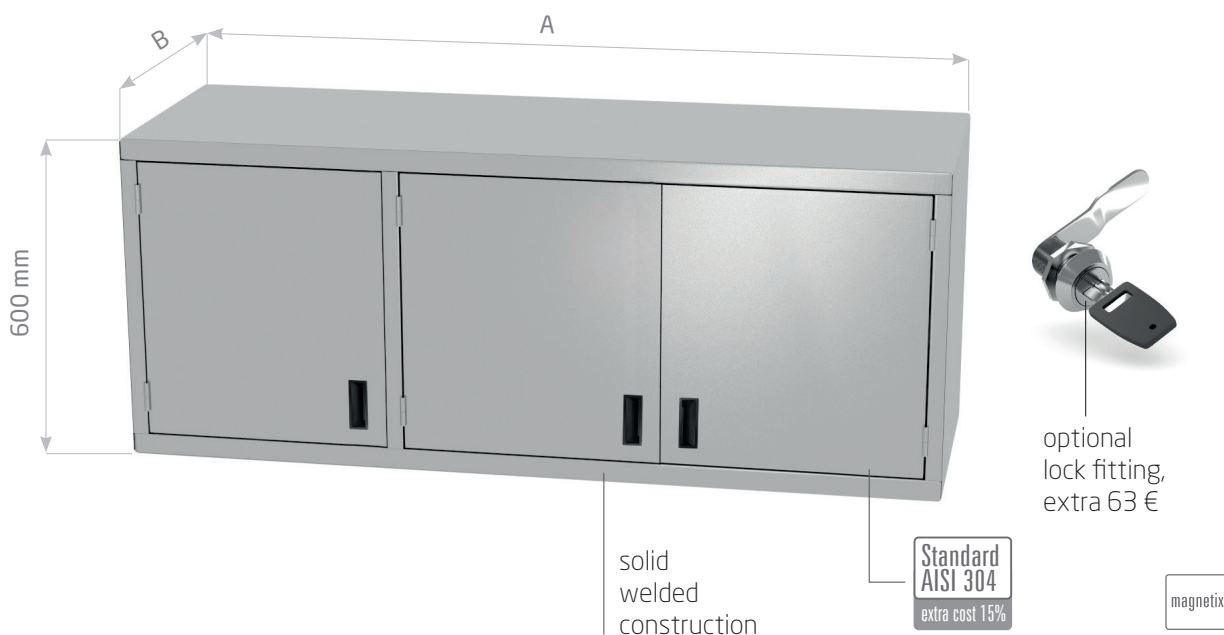


## Wall mounted storage cupboard with hinged door

- easy to remove shelf, non-adjustable
- hanging fixtures included

### POL-310

A mm	B = 300 mm			B = 400 mm		
	code	weight kg	price €	code	weight kg	price €
400	310043	15	319,-	310044	17	346,-
500	310053	17	352,-	310054	19	380,-
600	310063	19	382,-	310064	21	412,-



## Wall mounted storage cupboard with hinged doors

### Double doors

- easy to remove shelf, non-adjustable
- hanging fixtures included



### Triple doors

- easy to remove shelf, non-adjustable
- hanging fixtures included

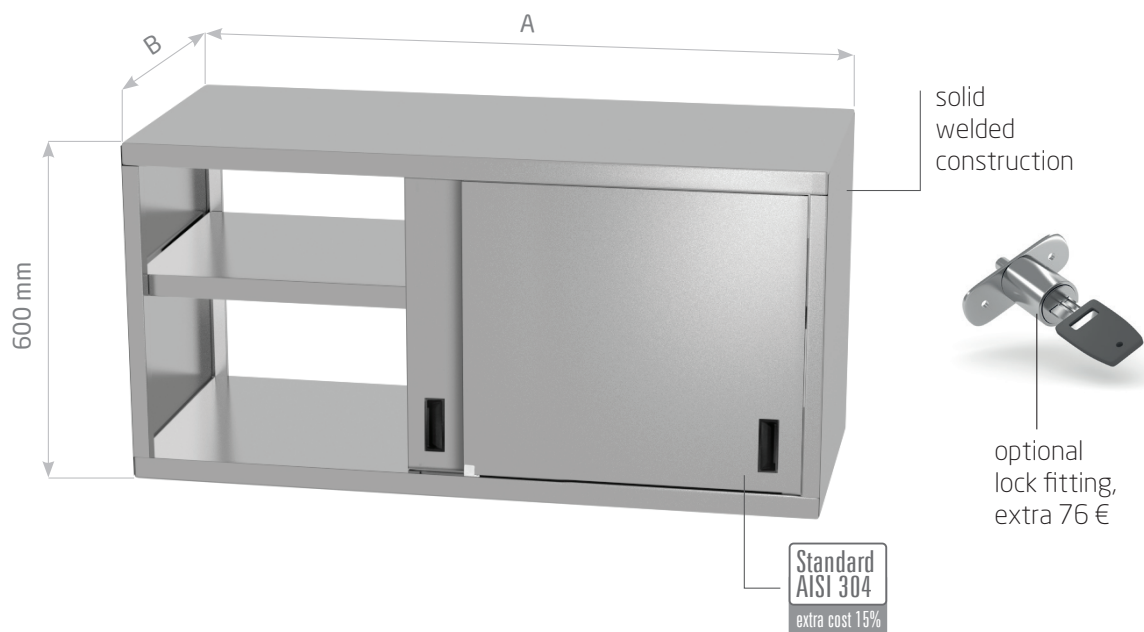


POL-310-2

A mm	B = 300 mm			B = 400 mm		
	code	weight kg	price €	code	weight kg	price €
700	310073-2	19	469,-	310074-2	24	503,-
800	310083-2	20	500,-	310084-2	26	538,-
900	310093-2	21	532,-	310094-2	28	573,-
1000	310103-2	23	563,-	310104-2	30	607,-
1100	310113-2	24	595,-	310114-2	32	642,-
1200	310123-2	25	625,-	310124-2	34	672,-
1300	310133-2	26	656,-	310134-2	36	708,-

POL-310-3

A mm	B = 300 mm			B = 400 mm		
	code	weight kg	price €	code	weight kg	price €
1400	310143-3	38	688,-	310144-3	41	743,-
1500	310153-3	41	720,-	310154-3	44	778,-
1600	310163-3	44	751,-	310164-3	47	808,-

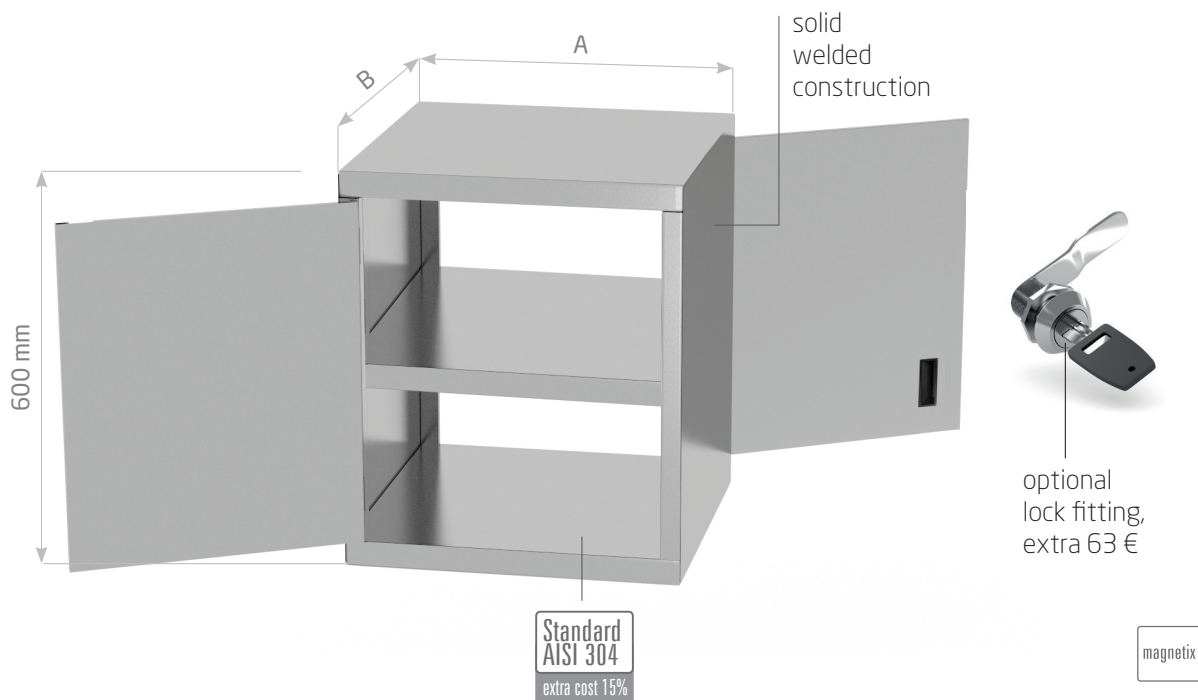


## Double-sided storage cupboard with sliding doors

- easy to remove shelf, non-adjustable
- 4 - sliding doors
- for fixing in a wall hole

### POL-309P

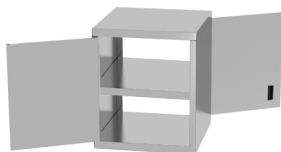
A mm	B = 300 mm			B = 400 mm		
	code	weight kg	price €	code	weight kg	price €
800	309083P	23	803,-	309084P	30	838,-
900	309093P	26	849,-	309094P	33	891,-
1000	309103P	28	898,-	309104P	35	941,-
1100	309113P	31	944,-	309114P	37	992,-
1200	309123P	33	993,-	309124P	40	1 041,-
1300	309133P	35	1 041,-	309134P	44	1 094,-
1400	309143P	36	1 090,-	309144P	46	1 143,-
1500	309153P	39	1 132,-	309154P	49	1 195,-
1600	309163P	41	1 180,-	309164P	51	1 243,-



## Double-sided storage cupboard with hinged doors

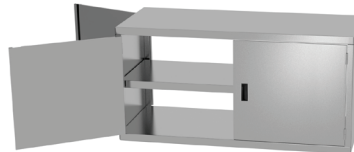
### 2-doors

- easy to remove shelf, non-adjustable
- 2 - hinged doors
- for fixing in a wall hole



### 4-doors

- easy to remove shelf, non-adjustable
- 4 - hinged doors
- for fixing in a wall hole

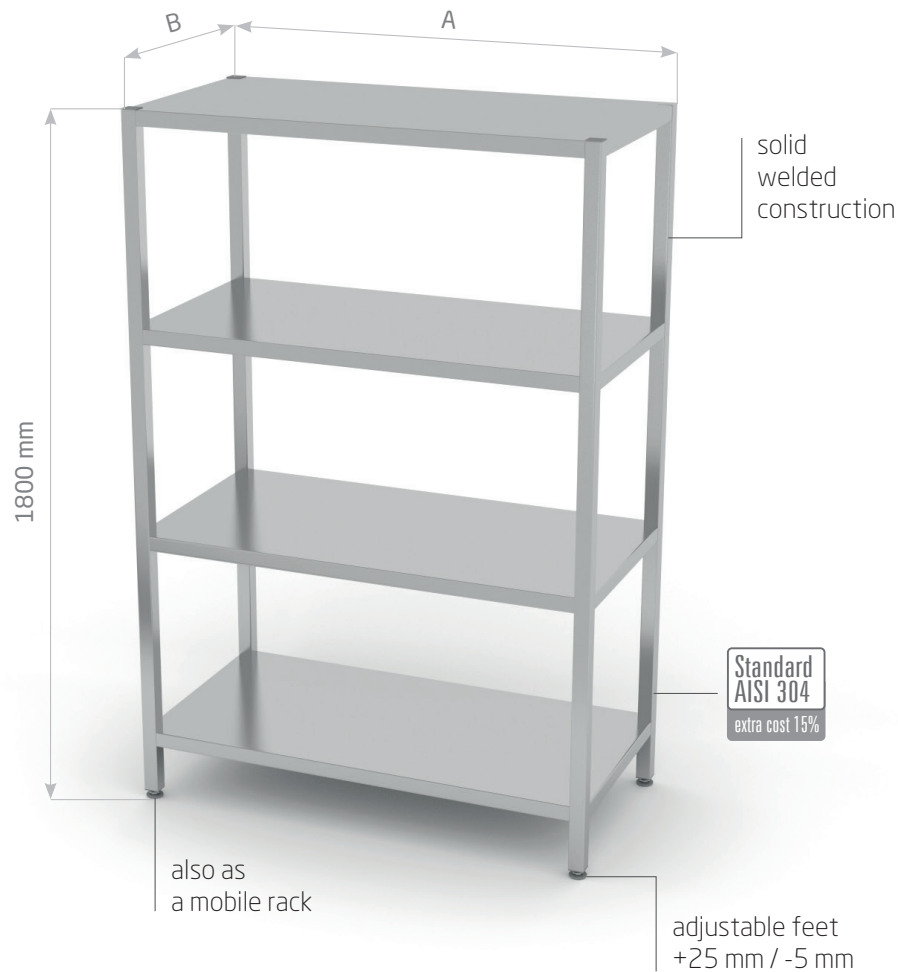


POL-310P

A mm	B = 300 mm			B = 400 mm		
	code	weight kg	price €	code	weight kg	price €
400	310043P	17	339,-	310044P	19	364,-
500	310053P	19	375,-	310054P	21	403,-
600	310063P	22	412,-	310064P	24	437,-

POL-310-2P

A mm	B = 300 mm			B = 400 mm		
	code	weight kg	price €	code	weight kg	price €
700	310073-2P	21	558,-	310074-2P	27	593,-
800	310083-2P	22	593,-	310084-2P	29	630,-
900	310093-2P	23	630,-	310094-2P	32	671,-
1000	310103-2P	26	667,-	310104-2P	34	710,-
1100	310113-2P	28	703,-	310114-2P	36	750,-
1200	310123-2P	29	734,-	310124-2P	39	783,-
1300	310133-2P	30	771,-	310134-2P	42	822,-



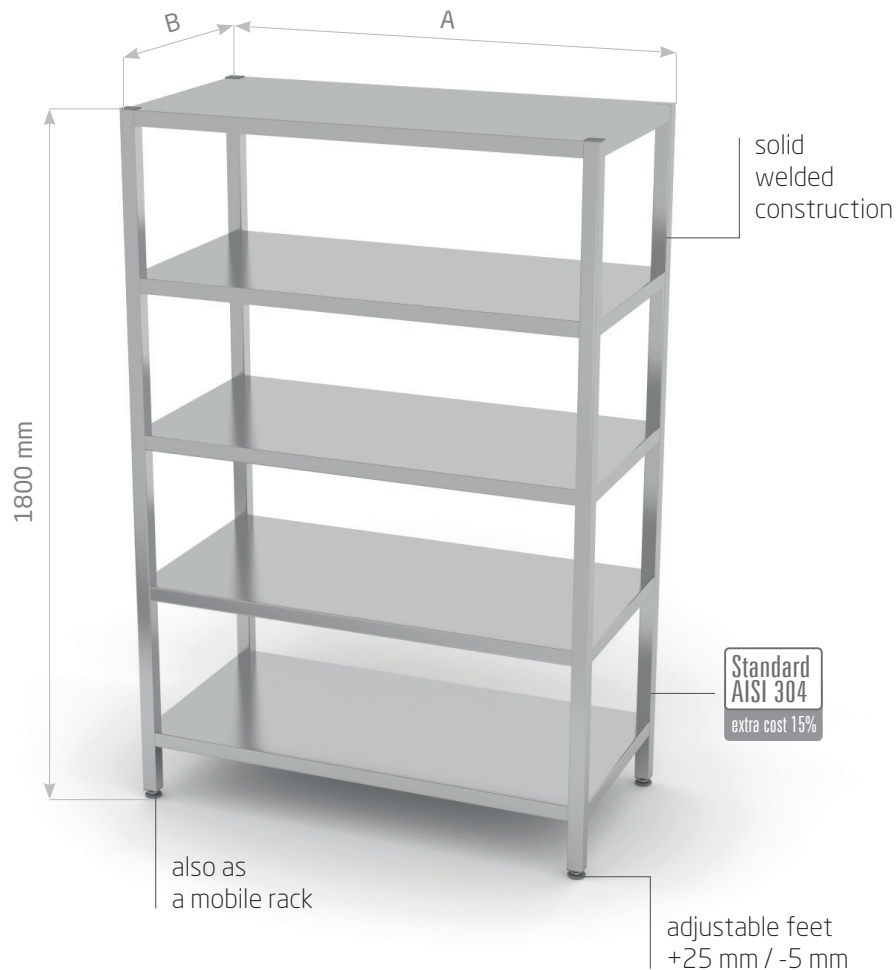
## Storage rack with 4 solid shelves

- welded storage rack
- 30x30 mm profile legs
- maximum load per shelf is 70 kg/m<sup>2</sup>
- mobile rack, optional extra 151 € - 4 castor wheels, 2 with brakes, wheel diameter 125 mm

### POL-334

A mm	B = 400 mm			B = 500 mm			B = 600 mm			B = 700 mm		
	code	weight kg	price €	code	weight kg	price €	code	weight kg	price €	code	weight kg	price €
600	334064	16	450,-	334065	18	478,-	334066	20	509,-	334067	22	541,-
700	334074	18	469,-	334075	20	503,-	334076	22	541,-	334077	25	579,-
800	334084	19	492,-	334085	22	530,-	334086	24	570,-	334087	27	611,-
900	334094	21	511,-	334095	24	555,-	334096	27	601,-	334097	30	647,-
1000	334104	22	535,-	334105	26	581,-	334106	29	630,-	334107	32	679,-
1100	334114	24	555,-	334115	27	611,-	334116	31	661,-	334117	35	713,-
1200	334124	25	579,-	334125	29	636,-	334126	33	694,-	334127	37	751,-
1300	334134	27	598,-	334135	31	661,-	334136	35	723,-	334137	40	782,-
1400	334144	28	618,-	334145	33	688,-	334146	38	754,-	334147	42	820,-



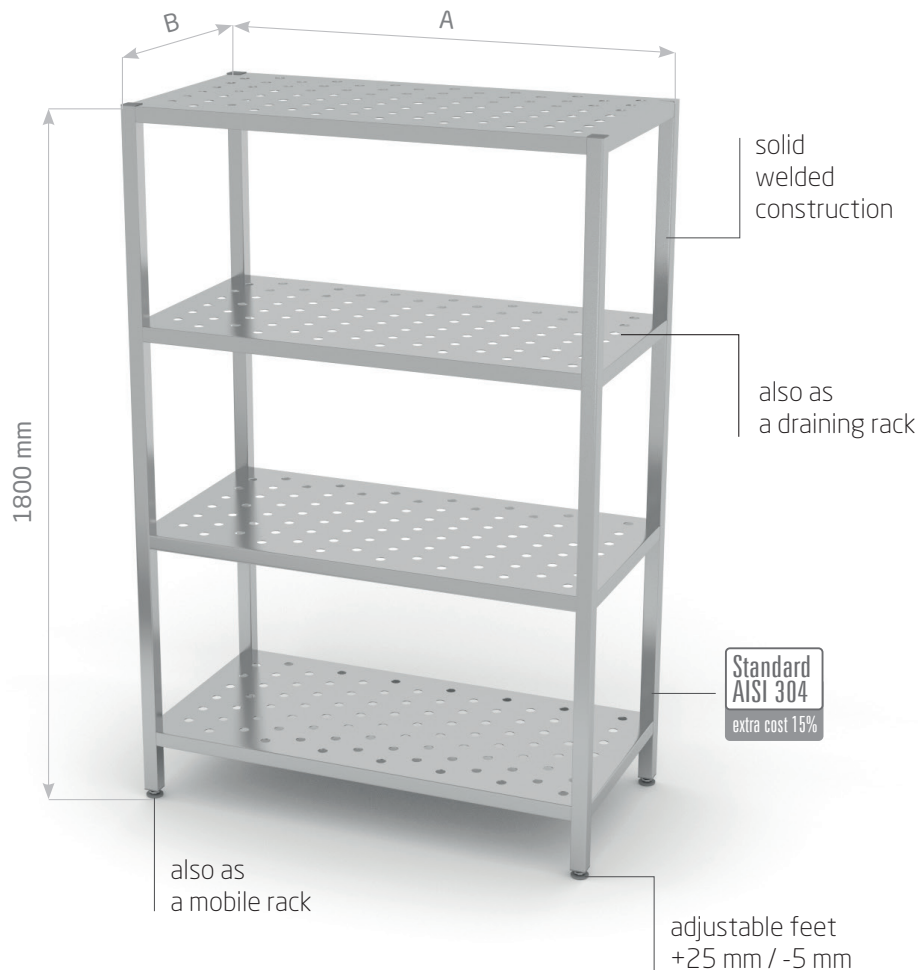


## Storage rack with 5 solid shelves

- welded storage rack
- 30x30 mm profile legs
- maximum load per shelf is 70 kg/m<sup>2</sup>
- mobile rack, optional extra 151 € - 4 castor wheels, 2 with brakes, wheel diameter 125 mm

### POL-335

A mm	B = 400 mm			B = 500 mm			B = 600 mm			B = 700 mm		
	code	weight kg	price €	code	weight kg	price €	code	weight kg	price €	code	weight kg	price €
600	335064	19	469,-	335065	21	521,-	335066	24	573,-	335067	26	626,-
700	335074	20	496,-	335075	23	548,-	335076	26	600,-	335077	29	651,-
800	335084	22	521,-	335085	26	573,-	335086	29	626,-	335087	32	678,-
900	335094	24	573,-	335095	28	626,-	335096	32	678,-	335097	35	730,-
1000	335104	26	626,-	335105	30	678,-	335106	34	730,-	335107	38	782,-
1100	335114	28	678,-	335115	33	730,-	335116	37	782,-	335117	42	835,-
1200	335124	30	730,-	335125	35	782,-	335126	40	835,-	335127	45	887,-
1300	335134	32	782,-	335135	37	835,-	335136	43	887,-	335137	48	939,-
1400	335144	34	835,-	335145	40	887,-	335146	45	939,-	335147	51	991,-

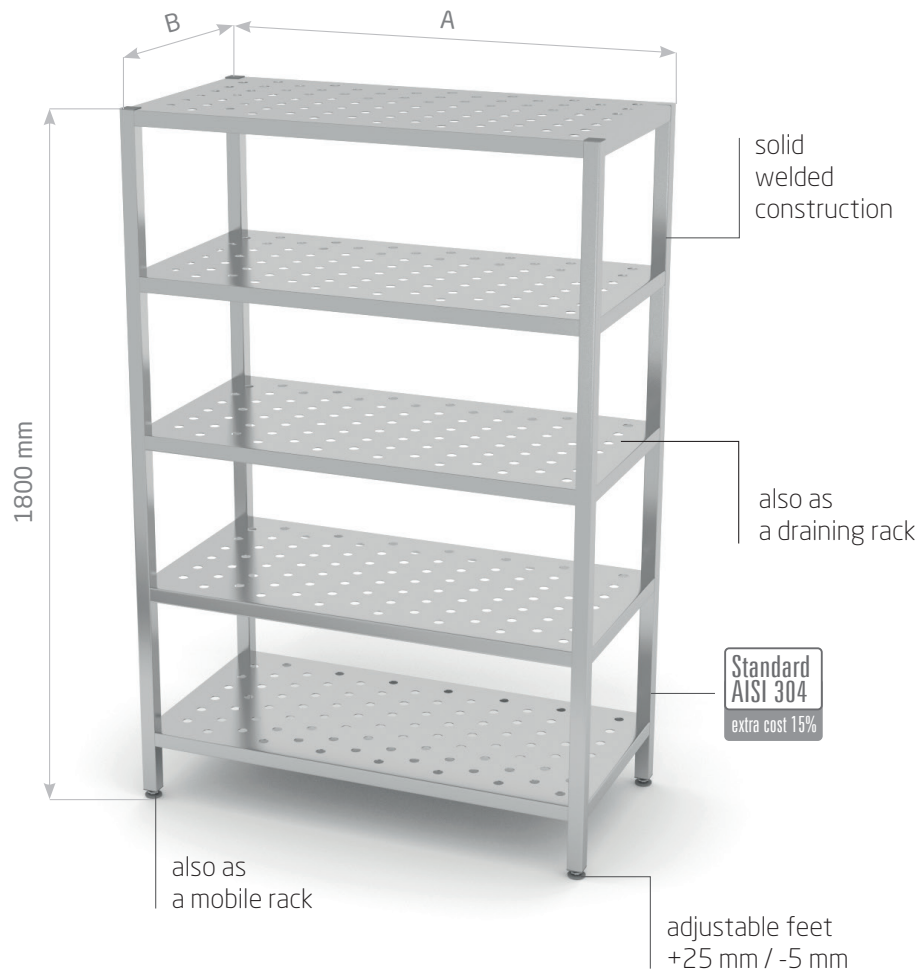


## Storage rack with 4 perforated shelves

- welded storage rack
- also as a draining rack
- 30x30 mm profile legs
- maximum load per shelf is 70 kg/m<sup>2</sup>
- mobile rack, optional extra 151 € – 4 castor wheels, 2 with brakes, wheel diameter 125 mm

POL-344

A mm	B = 400 mm			B = 500 mm			B = 600 mm			B = 700 mm		
	code	weight kg	price €	code	weight kg	price €	code	weight kg	price €	code	weight kg	price €
600	344064	15	483,-	344065	17	492,-	344066	19	552,-	344067	21	587,-
700	344074	17	507,-	344075	19	546,-	344076	21	587,-	344077	24	626,-
800	344084	18	532,-	344085	21	576,-	344086	23	622,-	344087	26	668,-
900	344094	20	555,-	344095	23	605,-	344096	26	656,-	344097	29	708,-
1000	344104	21	579,-	344105	25	633,-	344106	28	688,-	344107	31	743,-
1100	344114	23	605,-	344115	26	661,-	344116	30	723,-	344117	34	782,-
1200	344124	24	626,-	344125	28	694,-	344126	32	757,-	344127	36	820,-
1300	344134	26	650,-	344135	30	723,-	344136	34	792,-	344137	39	860,-
1400	344144	27	677,-	344145	32	751,-	344146	37	825,-	344147	41	901,-

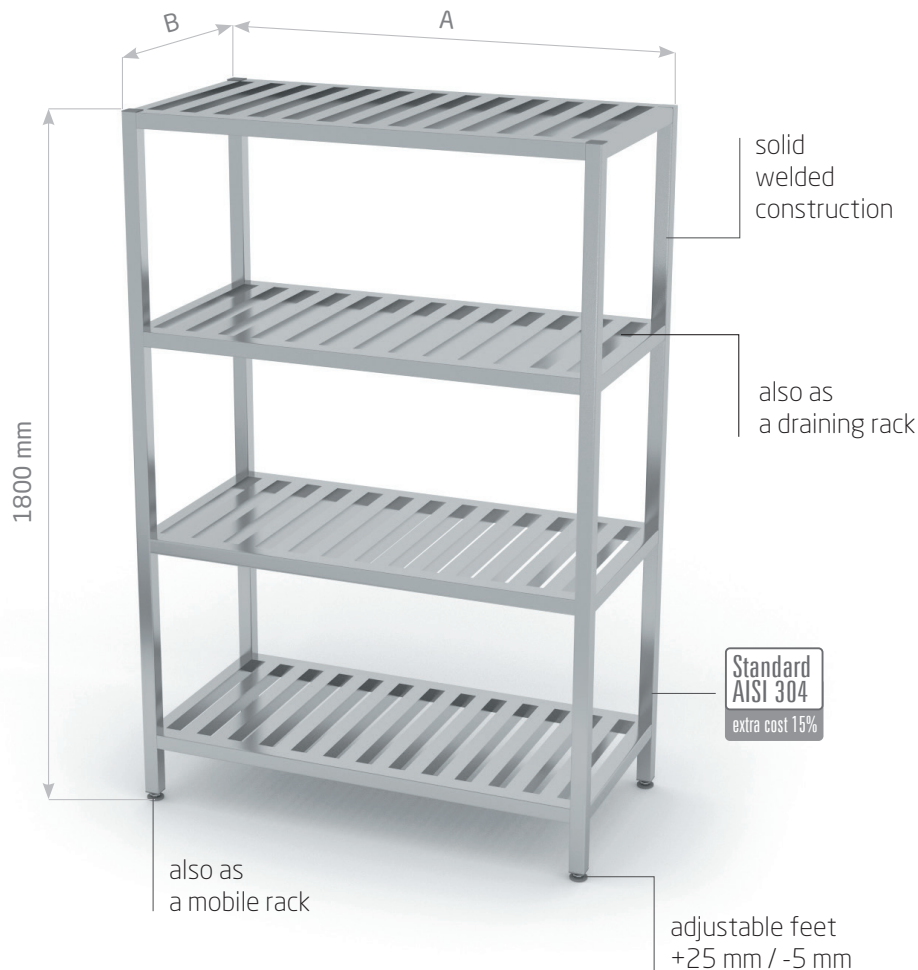


## Storage rack with 5 perforated shelves

- welded storage rack
- also as a draining rack
- 30x30 mm profile legs
- maximum load per shelf is 70 kg/m<sup>2</sup>
- mobile rack, optional extra 151 € – 4 castor wheels, 2 with brakes, wheel diameter 125 mm

### POL-345

A mm	B = 400 mm			B = 500 mm			B = 600 mm			B = 700 mm		
	code	weight kg	price €	code	weight kg	price €	code	weight kg	price €	code	weight kg	price €
600	345064	18	521,-	345065	20	532,-	345066	23	584,-	345067	25	636,-
700	345074	19	548,-	345075	22	584,-	345076	25	626,-	345077	28	678,-
800	345084	21	573,-	345085	25	626,-	345086	28	678,-	345087	31	730,-
900	345094	23	615,-	345095	27	678,-	345096	31	730,-	345097	34	782,-
1000	345104	25	651,-	345105	29	730,-	345106	33	782,-	345107	37	835,-
1100	345114	27	703,-	345115	32	782,-	345116	36	835,-	345117	41	887,-
1200	345124	29	757,-	345125	34	835,-	345126	39	887,-	345127	44	939,-
1300	345134	31	808,-	345135	36	887,-	345136	42	939,-	345137	47	991,-
1400	345144	33	860,-	345145	39	939,-	345146	44	991,-	345147	50	1 044,-

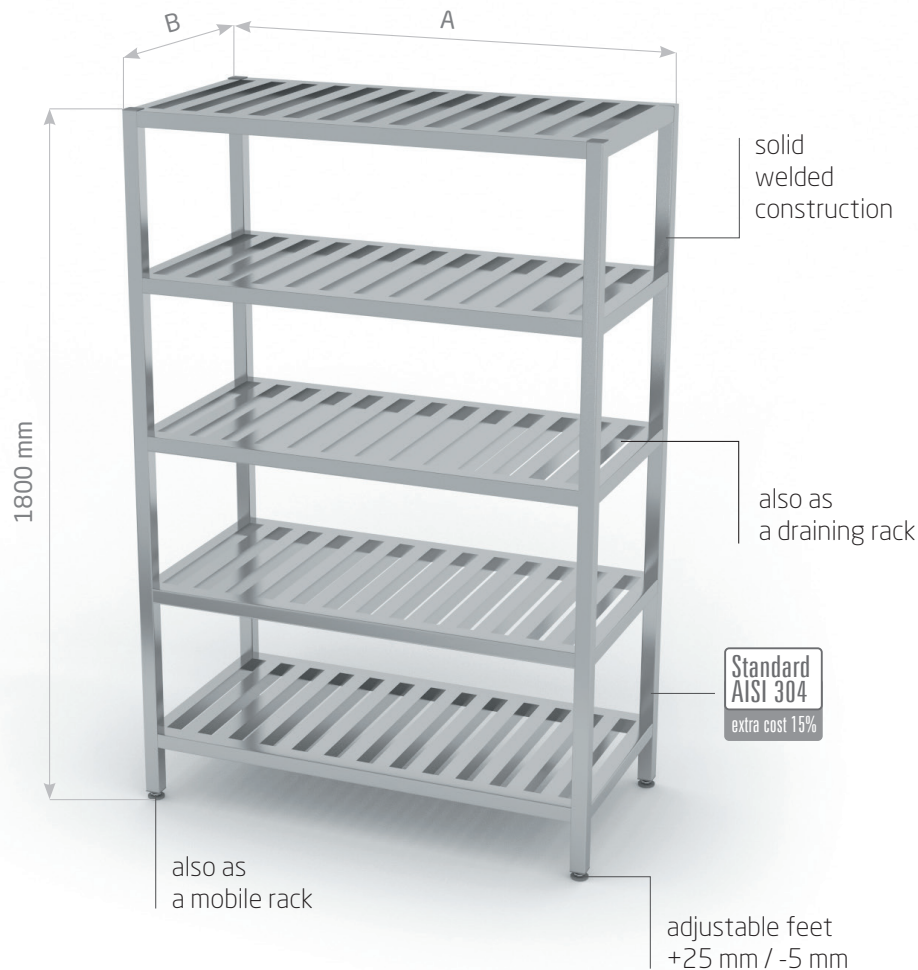


## Storage rack with 4 grating shelves

- welded storage rack
- also as a draining rack
- 30x30 mm profile legs
- maximum load per shelf is 70 kg/m<sup>2</sup>
- mobile rack, optional extra 151 € – 4 castor wheels, 2 with brakes, wheel diameter 125 mm

POL-354

A mm	B = 400 mm			B = 500 mm			B = 600 mm			B = 700 mm		
	code	weight kg	price €	code	weight kg	price €	code	weight kg	price €	code	weight kg	price €
600	354064	22	672,-	354065	24	716,-	354066	26	765,-	354067	28	814,-
700	354074	24	705,-	354075	26	757,-	354076	28	813,-	354077	31	866,-
800	354084	25	740,-	354085	28	794,-	354086	30	855,-	354087	33	915,-
900	354094	27	768,-	354095	30	835,-	354096	33	904,-	354097	36	972,-
1000	354104	28	803,-	354105	32	871,-	354106	35	947,-	354107	38	1 021,-
1100	354114	30	835,-	354115	33	915,-	354116	37	993,-	354117	41	1 070,-
1200	354124	31	869,-	354125	35	955,-	354126	39	1 042,-	354127	43	1 128,-
1300	354134	33	898,-	354135	37	993,-	354136	41	1 087,-	354137	46	1 182,-
1400	354144	34	930,-	354145	39	1 033,-	354146	44	1 132,-	354147	48	1 229,-

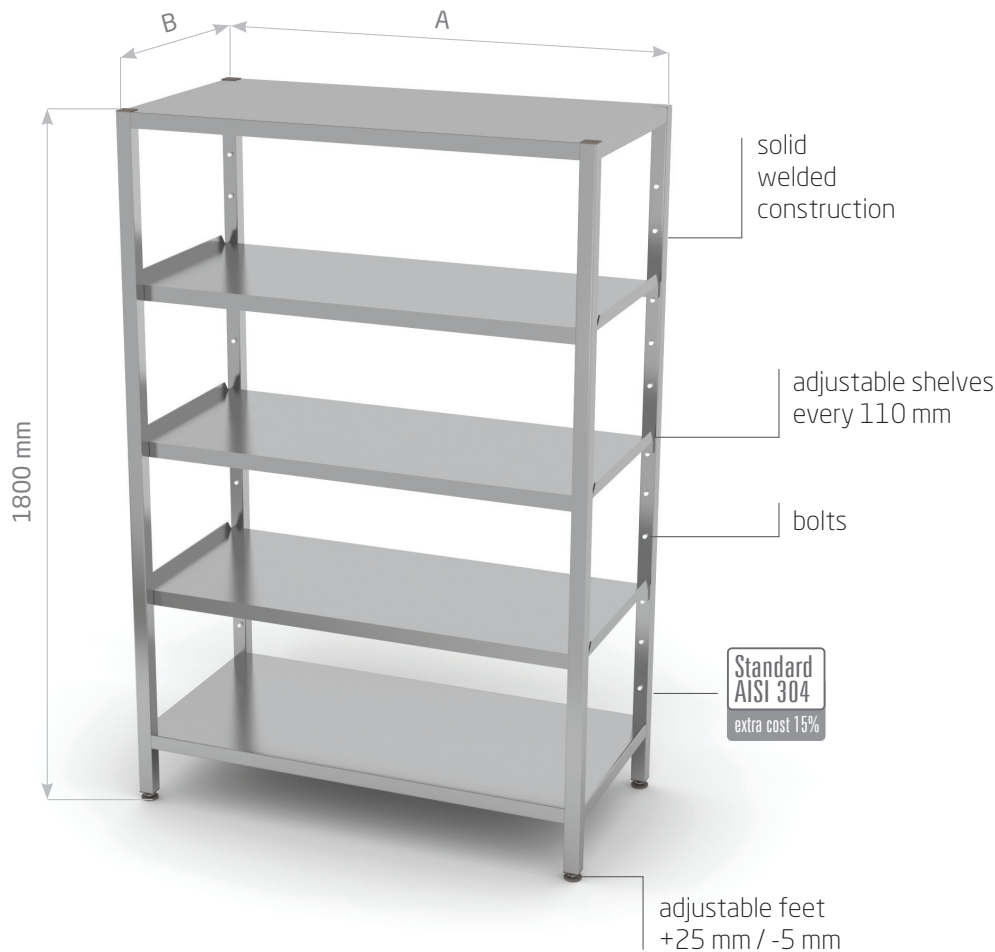


## Storage rack with 5 grating shelves

- welded storage rack
- also as a draining rack
- 30x30 mm profile legs
- maximum load per shelf is 70 kg/m<sup>2</sup>
- mobile rack, optional extra 151 € – 4 castor wheels, 2 with brakes, wheel diameter 125 mm

POL-355

A mm	B = 400 mm			B = 500 mm			B = 600 mm			B = 700 mm		
	code	weight kg	price €	code	weight kg	price €	code	weight kg	price €	code	weight kg	price €
600	355064	26	720,-	355065	28	747,-	355066	31	787,-	355067	33	835,-
700	355074	27	744,-	355075	30	785,-	355076	33	835,-	355077	36	887,-
800	355084	29	771,-	355085	33	824,-	355086	36	881,-	355087	39	939,-
900	355094	31	797,-	355095	35	863,-	355096	39	930,-	355097	42	991,-
1000	355104	33	831,-	355105	37	898,-	355106	41	971,-	355107	45	1 044,-
1100	355114	35	863,-	355115	40	940,-	355116	44	1 016,-	355117	49	1 096,-
1200	355124	37	895,-	355125	42	979,-	355126	47	1 063,-	355127	52	1 147,-
1300	355134	39	933,-	355135	44	1 019,-	355136	50	1 111,-	355137	55	1 199,-
1400	355144	41	968,-	355145	47	1 058,-	355146	52	1 157,-	355147	58	1 253,-

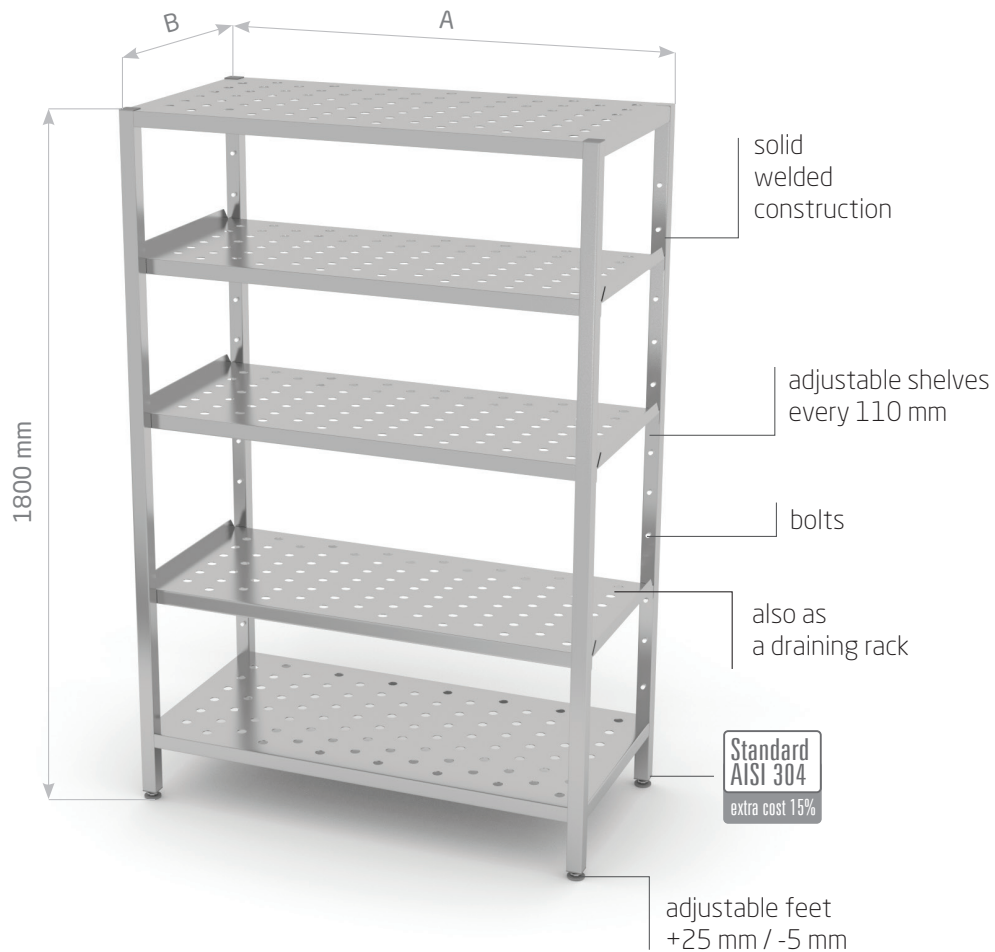


## Storage rack with adjustable shelves, 5 solid shelves

- 30x30 mm profile legs
- maximum load per shelf is 70 kg/m<sup>2</sup>
- three easily adjustable centre shelves – every 110 mm

### POL-356

A mm	B = 400 mm			B = 500 mm			B = 600 mm			B = 700 mm		
	code	weight kg	price €	code	weight kg	price €	code	weight kg	price €	code	weight kg	price €
600	356064	20	521,-	356065	24	548,-	356066	27	573,-	356067	30	626,-
700	356074	22	573,-	356075	26	600,-	356076	30	626,-	356077	34	678,-
800	356084	25	626,-	356085	29	651,-	356086	33	678,-	356087	38	730,-
900	356094	27	678,-	356095	32	703,-	356096	37	730,-	356097	41	782,-
1000	356104	29	730,-	356105	35	757,-	356106	40	782,-	356107	45	835,-
1100	356114	31	782,-	356115	37	808,-	356116	43	835,-	356117	49	887,-
1200	356124	34	835,-	356125	40	860,-	356126	46	887,-	356127	53	939,-
1300	356134	36	887,-	356135	43	913,-	356136	50	939,-	356137	57	991,-
1400	356144	38	939,-	356145	46	965,-	356146	53	991,-	356147	60	1 044,-



## Storage rack with adjustable shelves, 5 perforated shelves

- 30x30 mm profile legs
- maximum load per shelf is 70 kg/m<sup>2</sup>
- three easily adjustable centre shelves – every 110 mm

POL-357

A mm	B = 400 mm			B = 500 mm			B = 600 mm			B = 700 mm		
	code	weight kg	price €	code	weight kg	price €	code	weight kg	price €	code	weight kg	price €
600	357064	18	548,-	357065	20	573,-	357066	23	626,-	357067	25	678,-
700	357074	19	600,-	357075	22	626,-	357076	25	678,-	357077	28	730,-
800	357084	21	651,-	357085	25	678,-	357086	28	730,-	357087	31	782,-
900	357094	23	703,-	357095	27	730,-	357096	31	782,-	357097	34	835,-
1000	357104	25	757,-	357105	29	782,-	357106	33	835,-	357107	37	887,-
1100	357114	27	808,-	357115	32	835,-	357116	36	887,-	357117	41	939,-
1200	357124	29	860,-	357125	34	887,-	357126	39	939,-	357127	44	991,-
1300	357134	31	913,-	357135	36	939,-	357136	42	991,-	357137	47	1 044,-
1400	357144	33	965,-	357145	39	991,-	357146	44	1 044,-	357147	50	1 096,-



## Static rack for GN containers and baking trays

- 30x30 mm profile legs

POL-360

A mm	B mm	type GN/tray	number of levels	t mm	weight kg	code	price €
395	540	GN 1/1	10	155	18	361110	559,-
395	540	GN 1/1	14	110	19	361114	584,-
395	540	GN 1/1	22	70	21	361122	647,-
720	540	GN 2/1	10	155	32	362110	573,-
720	540	GN 2/1	14	110	33	362114	600,-
720	540	GN 2/1	22	70	35	362122	651,-
470	610	tray 400x600	10	155	20	360610	573,-
470	610	tray 400x600	14	110	21	360614	600,-
470	610	tray 400x600	22	70	23	360622	651,-



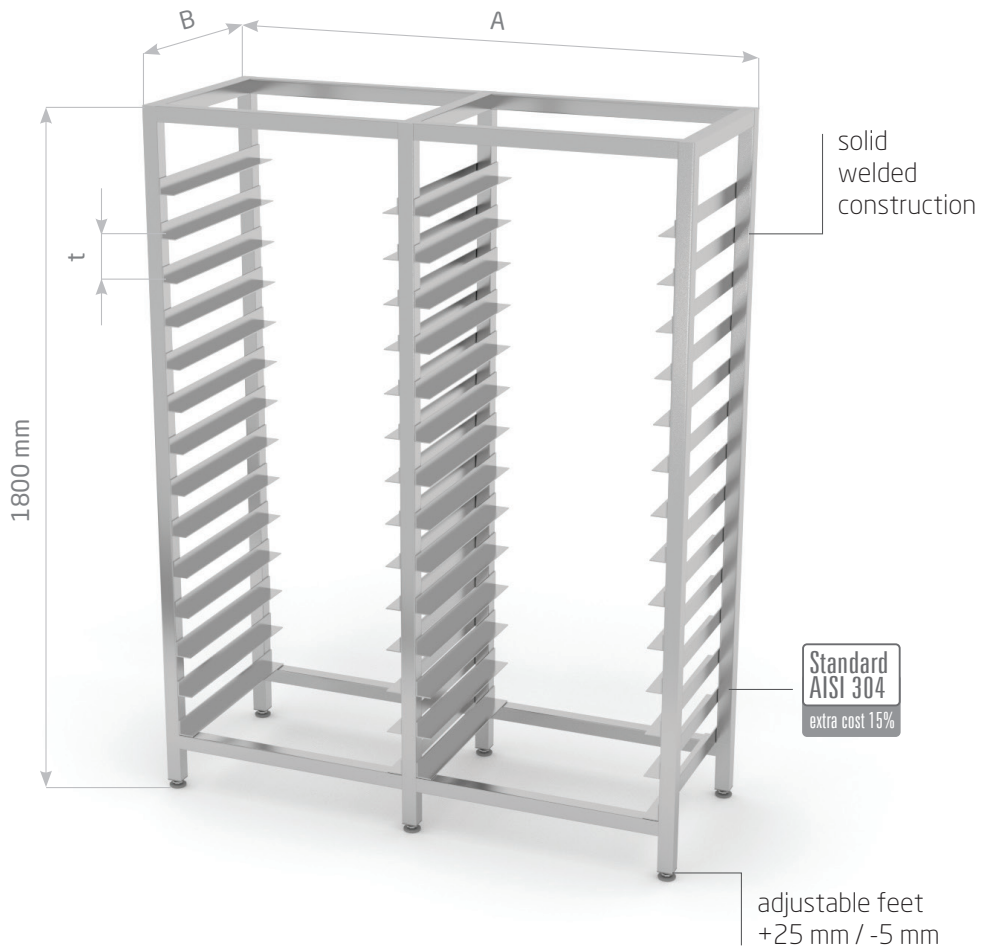


## Racking trolley for GN containers and baking trays

- 30x30 mm profile legs
- 4 castor wheels, 2 have brakes, wheel diameter 100 mm

POL-360-K

A mm	B mm	type GN/tray	number of levels	t mm	weight kg	code	price €
395	540	GN 1/1	10	155	19	361110-K	685,-
395	540	GN 1/1	14	110	20	361114-K	712,-
395	540	GN 1/1	22	70	22	361122-K	773,-
720	540	GN 2/1	10	155	33	362110-K	701,-
720	540	GN 2/1	14	110	34	362114-K	727,-
720	540	GN 2/1	22	70	36	362122-K	779,-
470	610	tray 400x600	10	155	21	360610-K	701,-
470	610	tray 400x600	14	110	22	360614-K	727,-
470	610	tray 400x600	22	70	24	360622-K	779,-



## Double rack for GN containers and baking trays

- 30x30 mm profile legs

POL-370

A mm	B mm	type GN/tray	number of levels	t mm	weight kg	code	price €
755	540	GN 1/1	2x10	155	32	371110	821,-
755	540	GN 1/1	2x14	110	33	371114	904,-
755	540	GN 1/1	2x22	70	35	371122	986,-
1405	540	GN 2/1	2x10	155	58	372110	877,-
1405	540	GN 2/1	2x14	110	59	372114	958,-
1405	540	GN 2/1	2x22	70	61	372122	1 041,-
905	610	tray 400x600	2x10	155	34	370610	877,-
905	610	tray 400x600	2x14	110	35	370614	958,-
905	610	tray 400x600	2x22	70	37	370622	1 041,-

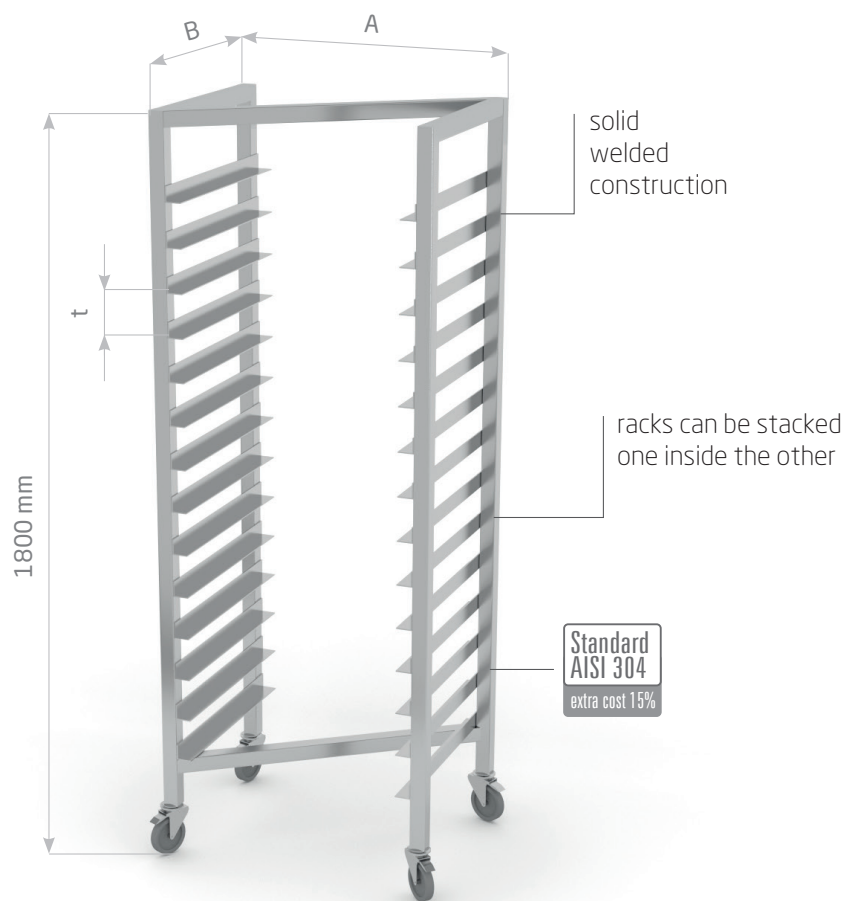


## Double racking trolley for GN containers and baking trays

- 30x30 mm profile legs
- 4 castor wheels, 2 have brakes, wheel diameter 100 mm

POL-370-K

A mm	B mm	type GN/tray	number of levels	t mm	weight kg	code	price €
755	540	GN 1/1	2x10	155	34	371110-K	948,-
755	540	GN 1/1	2x14	110	35	371114-K	1 031,-
755	540	GN 1/1	2x22	70	37	371122-K	1 114,-
1405	540	GN 2/1	2x10	155	60	372110-K	1 005,-
1405	540	GN 2/1	2x14	110	61	372114-K	1 086,-
1405	540	GN 2/1	2x22	70	63	372122-K	1 168,-
905	610	tray 400x600	2x10	155	36	370610-K	1 005,-
905	610	tray 400x600	2x14	110	37	370614-K	1 086,-
905	610	tray 400x600	2x22	70	39	370622-K	1 168,-

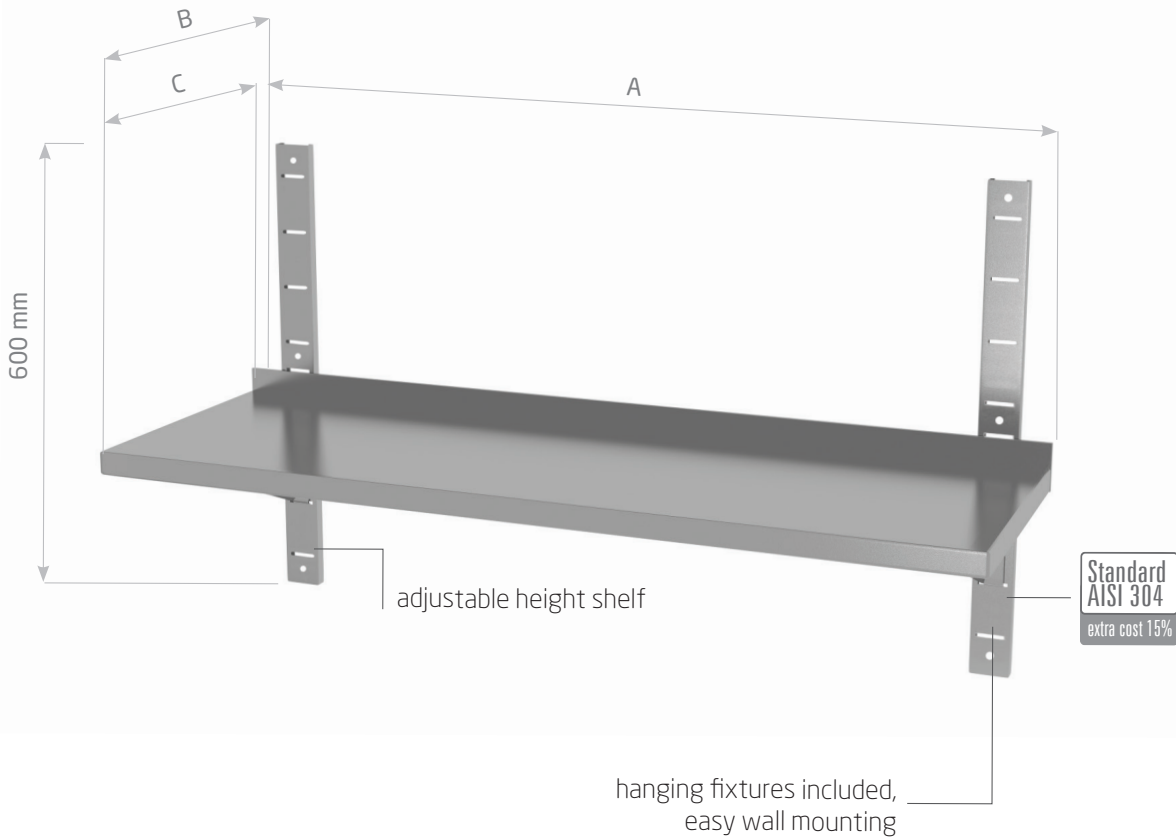


## Racking trolley for GN containers and baking trays - type Z

- 30x30 mm profile legs
- 4 castor wheels, 2 have brakes, wheel diameter 100 mm
- when folded takes up very little space
  - racks can be stacked one inside the other

POL-375

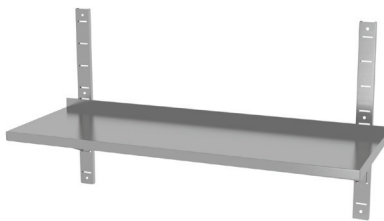
A mm	B mm	type GN/tray	number of levels	t mm	weight kg	code	price €
395	540	GN 1/1	10	155	17	411110	651,-
395	540	GN 1/1	14	110	18	411114	703,-
395	540	GN 1/1	22	70	20	411122	757,-
720	540	GN 2/1	10	155	19	412110	703,-
720	540	GN 2/1	14	110	20	412114	757,-
720	540	GN 2/1	22	70	22	412122	808,-
470	610	tray 400x600	10	155	21	410610	703,-
470	610	tray 400x600	14	110	22	410614	757,-
470	610	tray 400x600	22	70	24	410622	808,-



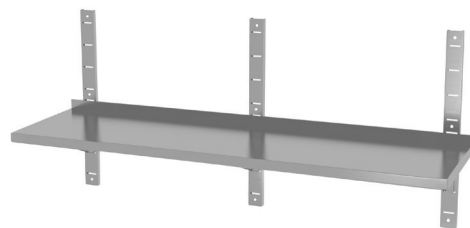
## Single adjustable hanging shelf

- useable shelf depth C = 300 mm (B) – 33 mm = 267 mm
- useable shelf depth C = 400 mm (B) – 33 mm = 367 mm

### With two brackets



### With three brackets

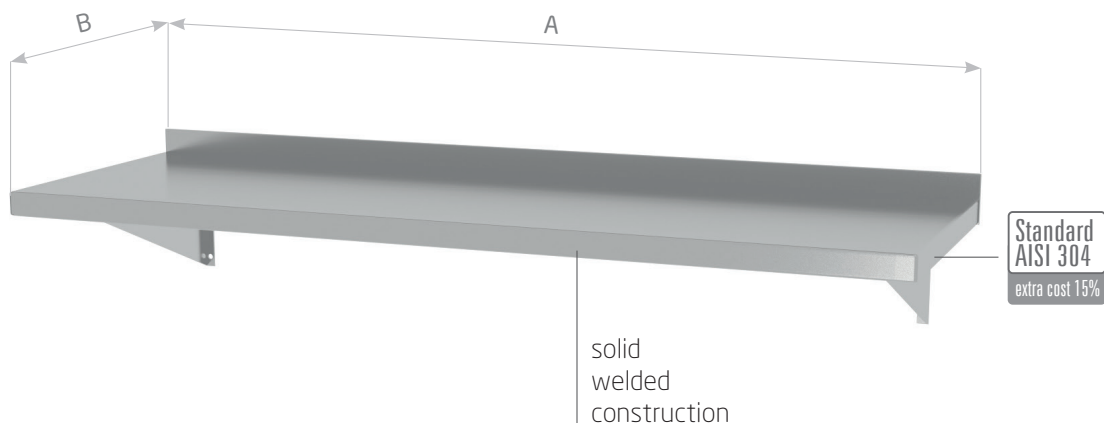


POL-381

A mm	B = 300 mm			B = 400 mm		
	code	weight kg	price €	code	weight kg	price €
600	381063	3	130,-	381064	4	143,-
700	381073	4	136,-	381074	5	151,-
800	381083	4	143,-	381084	5	160,-
900	381093	4	151,-	381094	6	165,-
1000	381103	5	157,-	381104	6	174,-
1100	381113	5	163,-	381114	6	182,-
1200	381123	6	168,-	381124	7	191,-
1300	381133	6	174,-	381134	7	198,-
1400	381143	6	179,-	381144	8	206,-
1500	381153	7	188,-	381154	8	214,-

POL-381-3

A mm	B = 300 mm			B = 400 mm		
	code	weight kg	price €	code	weight kg	price €
1600	381163-3	7	193,-	381164-3	9	223,-
1700	381173-3	8	200,-	381174-3	10	231,-
1800	381183-3	8	206,-	381184-3	10	240,-
1900	381193-3	8	212,-	381194-3	11	247,-
2000	381203-3	9	217,-	381204-3	11	255,-



## Single hanging shelf with brackets

With two brackets



With three brackets

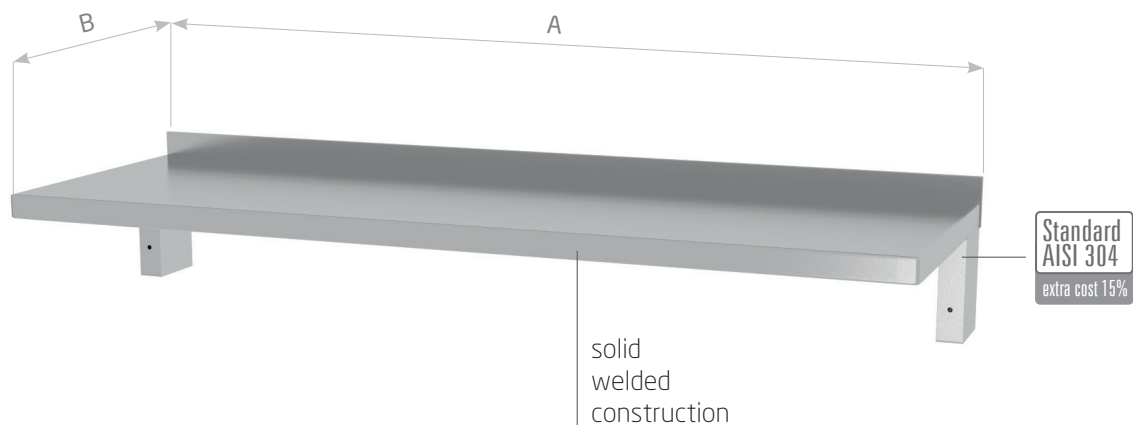


POL-382

A mm	B = 300 mm			B = 400 mm		
	code	weight kg	price €	code	weight kg	price €
600	382063	3	105,-	382064	4	118,-
700	382073	3,5	112,-	382074	4,5	125,-
800	382083	4	118,-	382084	5	132,-
900	382093	4,5	125,-	382094	5,5	137,-
1000	382103	5	130,-	382104	6	146,-
1100	382113	5,5	134,-	382114	6,5	153,-
1200	382123	6	140,-	382124	7	161,-
1300	382133	6,5	146,-	382134	7,5	167,-
1400	382143	7	151,-	382144	8	174,-
1500	382153	7,5	158,-	382154	8,5	181,-

POL-382-3

A mm	B = 300 mm			B = 400 mm		
	code	weight kg	price €	code	weight kg	price €
1600	382163-3	9	164,-	382164-3	9,5	189,-
1700	382173-3	9,5	170,-	382174-3	10	198,-
1800	382183-3	10	177,-	382184-3	10,5	205,-
1900	382193-3	10,5	182,-	382194-3	11	213,-
2000	382203-3	11	189,-	382204-3	11,5	220,-



## Hanging shelf for equipment, reinforced

- profile reinforced shelf

With two brackets



With three brackets

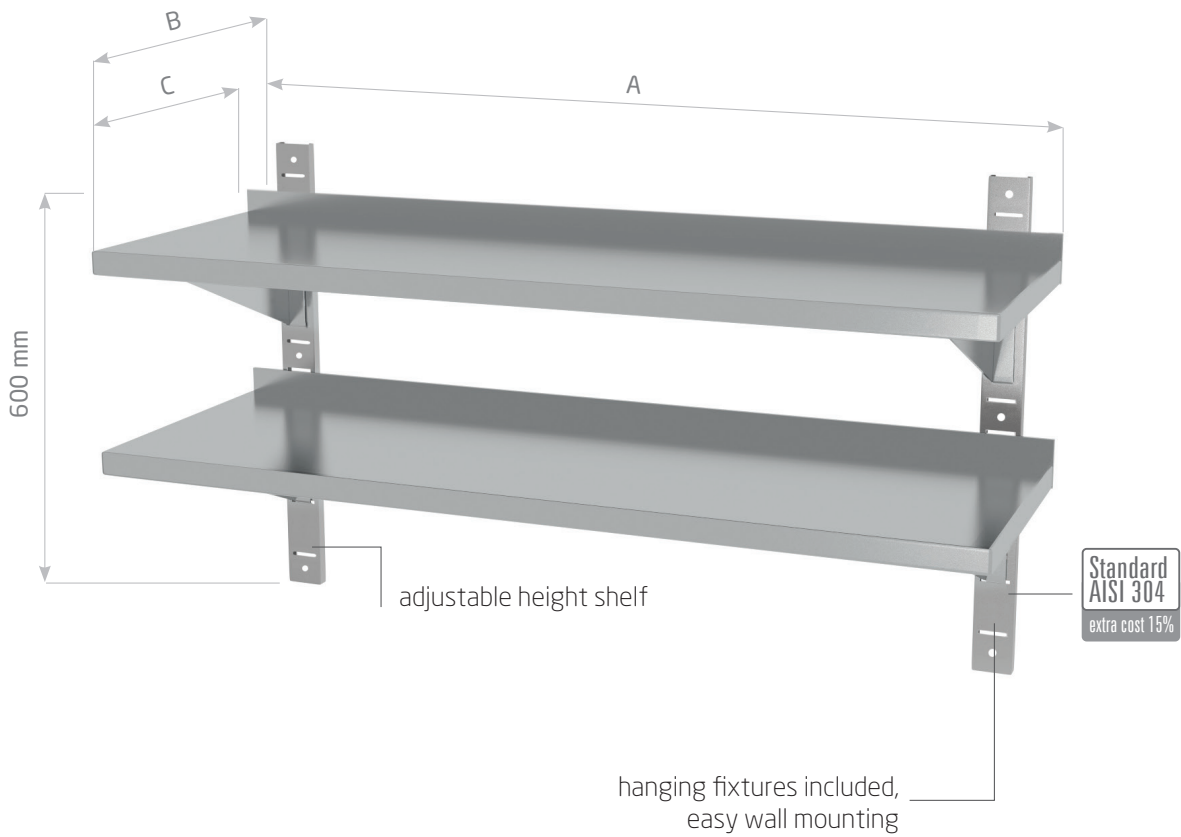


POL-383

A mm	B = 300 mm			B = 400 mm		
	code	weight kg	price €	code	weight kg	price €
600	383063	4	123,-	383064	4,5	136,-
700	383073	4,5	130,-	383074	5	146,-
800	383083	5	136,-	383084	5,5	154,-
900	383093	5,5	146,-	383094	6	160,-
1000	383103	6	151,-	383104	6,5	170,-
1100	383113	6,5	157,-	383114	7	178,-
1200	383123	7	164,-	383124	7,5	188,-
1300	383133	7,5	170,-	383134	8	193,-
1400	383143	8	178,-	383144	8,5	203,-
1500	383153	8,5	185,-	383154	9	213,-

POL-383-3

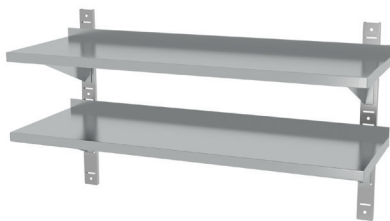
A mm	B = 300 mm			B = 400 mm		
	code	weight kg	price €	code	weight kg	price €
1600	383163-3	10	196,-	383164-3	10,5	226,-
1700	383173-3	10,5	202,-	383174-3	11	234,-
1800	383183-3	11	210,-	383184-3	11,5	242,-
1900	383193-3	11,5	216,-	383194-3	12	249,-
2000	383203-3	12	223,-	383204-3	12,5	256,-



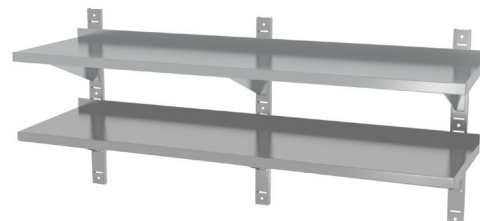
## Hanging shelf with two adjustable shelves

- useable shelf depth C = 300 mm (B) – 33 mm = 267 mm
- useable shelf depth C = 400 mm (B) – 33 mm = 367 mm

### With two brackets



### With three brackets



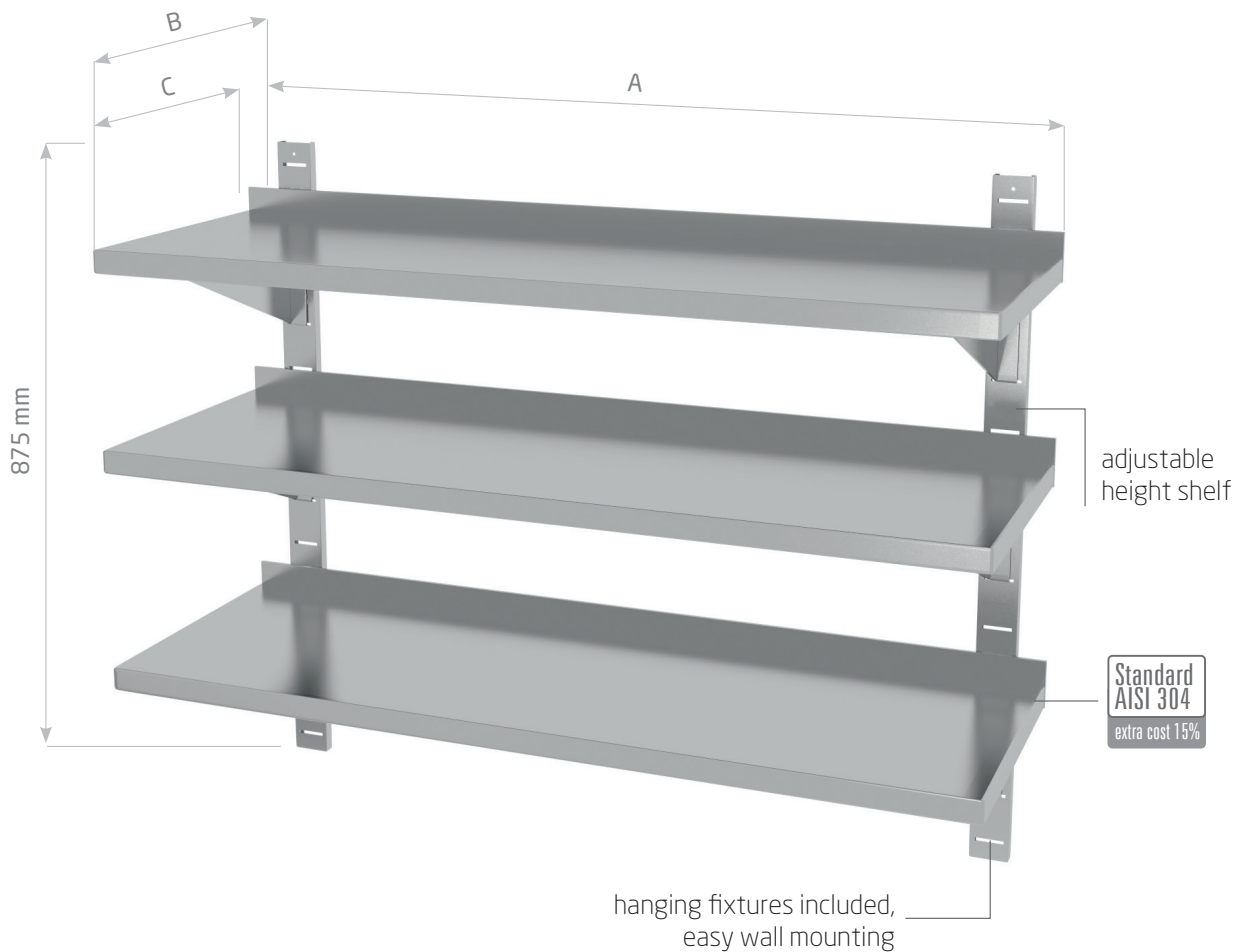
POL-384

A mm	B = 300 mm			B = 400 mm		
	code	weight kg	price €	code	weight kg	price €
600	384063	8	254,-	384064	9	277,-
700	384073	9	268,-	384074	10	294,-
800	384083	10	279,-	384084	11	308,-
900	384093	10	290,-	384094	12	326,-
1000	384103	11	305,-	384104	12	343,-
1100	384113	12	317,-	384114	13	357,-
1200	384123	12	328,-	384124	14	374,-
1300	384133	13	343,-	384134	15	388,-
1400	384143	14	353,-	384144	16	405,-
1500	384153	15	368,-	384154	17	420,-

POL-384-3

A mm	B = 300 mm			B = 400 mm		
	code	weight kg	price €	code	weight kg	price €
1600	384163-3	17	380,-	384164-3	20	437,-
1700	384173-3	17	391,-	384174-3	21	454,-
1800	384183-3	18	403,-	384184-3	21	468,-
1900	384193-3	19	415,-	384194-3	22	485,-
2000	384203-3	20	426,-	384204-3	23	500,-

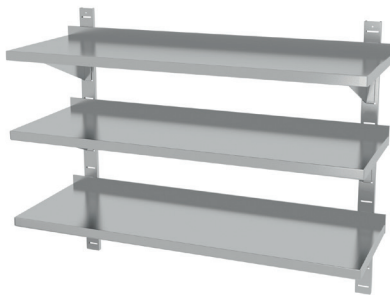




## Hanging shelf with three adjustable shelves

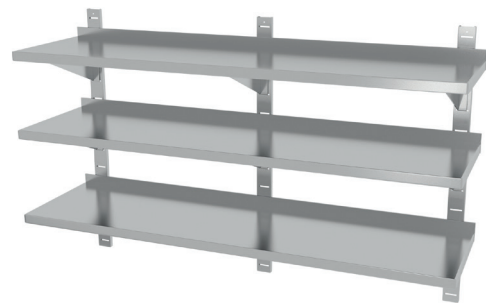
- useable shelf depth C = 300 mm (B) – 33 mm = 267 mm
- useable shelf depth C = 400 mm (B) – 33 mm = 367 mm

### With two brackets



POL-385

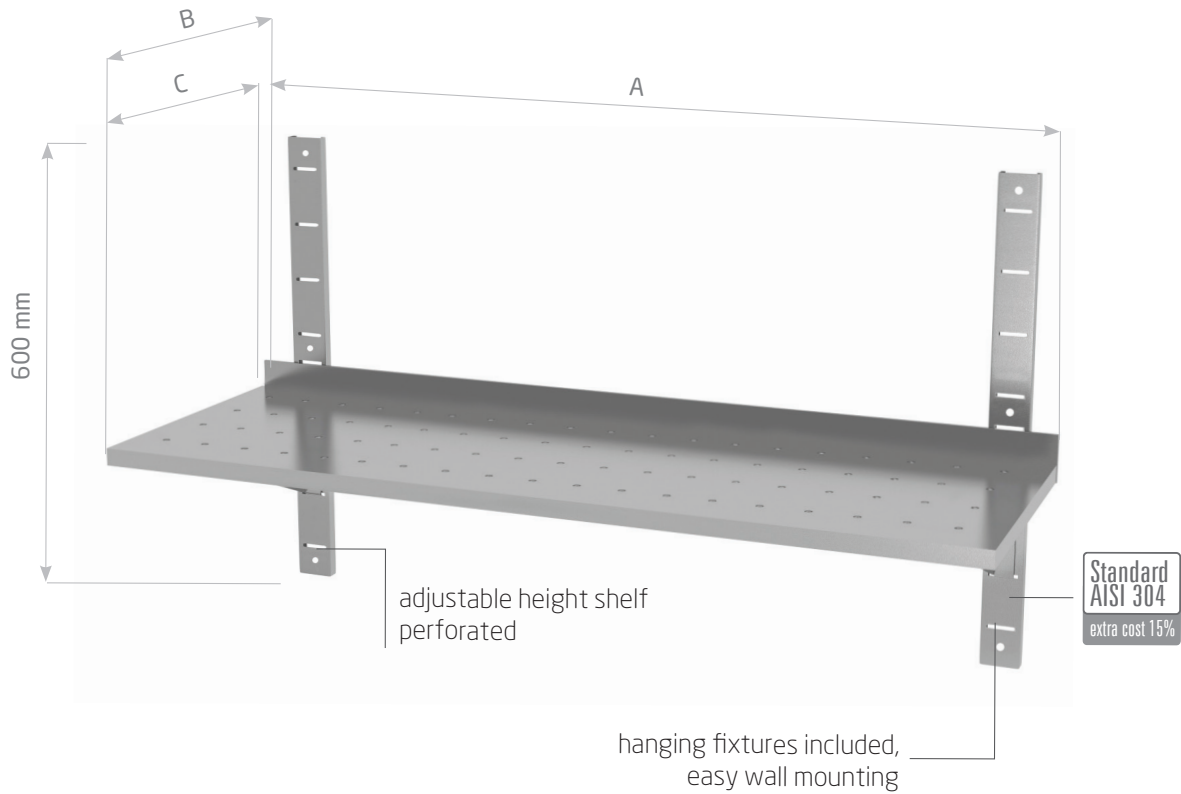
### With three brackets



POL-385-3

A mm	B = 300 mm			B = 400 mm		
	code	weight kg	price €	code	weight kg	price €
600	385063	12	378,-	385064	13	412,-
700	385073	13	394,-	385074	15	434,-
800	385083	14	415,-	385084	16	460,-
900	385093	15	434,-	385094	17	483,-
1000	385103	16	453,-	385104	19	507,-
1100	385113	17	471,-	385114	20	530,-
1200	385123	18	489,-	385124	21	555,-
1300	385133	19	509,-	385134	23	579,-
1400	385143	20	527,-	385144	24	601,-
1500	385153	21	546,-	385154	25	625,-

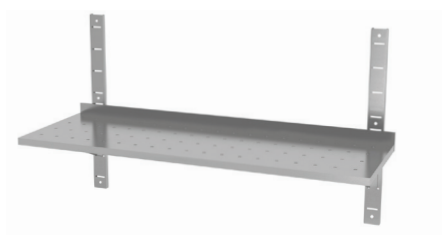
A mm	B = 300 mm			B = 400 mm		
	code	weight kg	price €	code	weight kg	price €
1600	385163-3	24	563,-	385164-3	29	650,-
1700	385173-3	25	583,-	385174-3	30	674,-
1800	385183-3	26	601,-	385184-3	31	698,-
1900	385193-3	27	619,-	385194-3	33	720,-
2000	385203-3	28	637,-	385204-3	34	744,-



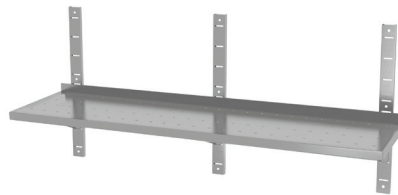
## Single adjustable hanging perforated shelf

- useable shelf depth C = 300 mm (B) – 33 mm = 267 mm
- useable shelf depth C = 400 mm (B) – 33 mm = 367 mm
- perforated shelf

### With two brackets



### With three brackets

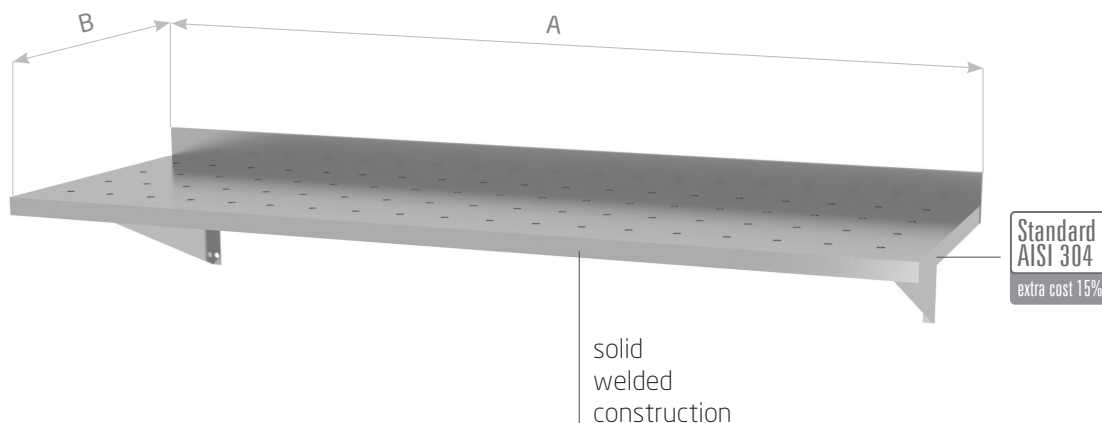


POL-381-PERF

A mm	B = 300 mm			B = 400 mm		
	code	weight kg	price €	code	weight kg	price €
600	381063-PERF	3	139,-	381064-PERF	4	153,-
700	381073-PERF	4	146,-	381074-PERF	5	163,-
800	381083-PERF	4	153,-	381084-PERF	5	172,-
900	381093-PERF	4	163,-	381094-PERF	6	181,-
1000	381103-PERF	5	170,-	381104-PERF	6	191,-
1100	381113-PERF	5	177,-	381114-PERF	6	202,-
1200	381123-PERF	6	182,-	381124-PERF	7	210,-
1300	381133-PERF	6	189,-	381134-PERF	7	219,-
1400	381143-PERF	6	198,-	381144-PERF	8	228,-
1500	381153-PERF	7	206,-	381154-PERF	8	240,-

POL-381-3-PERF

A mm	B = 300 mm			B = 400 mm		
	code	weight	price €	code	weight	price €
1600	381163-3-PERF	7	214,-	381164-3-PERF	9	249,-
1700	381173-3-PERF	8	221,-	381174-3-PERF	10	259,-
1800	381183-3-PERF	8	227,-	381184-3-PERF	10	269,-
1900	381193-3-PERF	8	235,-	381194-3-PERF	11	277,-
2000	381203-3-PERF	9	242,-	381204-3-PERF	11	287,-

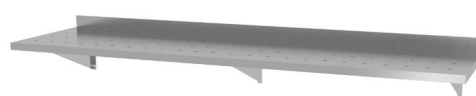


## Single hanging perforated shelf with brackets

With two brackets



With three brackets

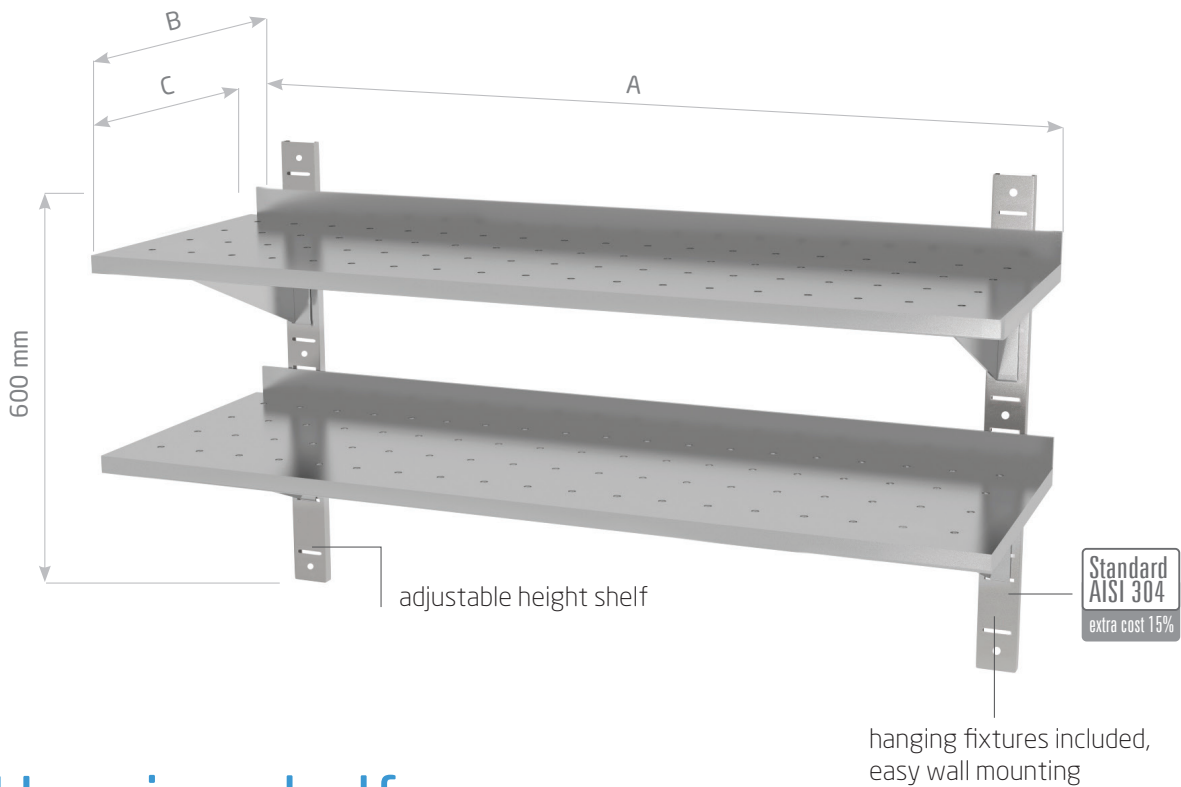


POL-382-PERF

A mm	B = 300 mm			B = 400 mm		
	code	weight kg	price €	code	weight kg	price €
600	382063-PERF	3	113,-	382064-PERF	4	127,-
700	382073-PERF	3,5	120,-	382074-PERF	4,5	136,-
800	382083-PERF	4	127,-	382084-PERF	5	146,-
900	382093-PERF	4,5	136,-	382094-PERF	5,5	151,-
1000	382103-PERF	5	143,-	382104-PERF	6	163,-
1100	382113-PERF	5,5	149,-	382114-PERF	6,5	171,-
1200	382123-PERF	6	156,-	382124-PERF	7	181,-
1300	382133-PERF	6,5	161,-	382134-PERF	7,5	188,-
1400	382143-PERF	7	168,-	382144-PERF	8	198,-
1500	382153-PERF	7,5	177,-	382154-PERF	8,5	206,-

POL-382-3-PERF

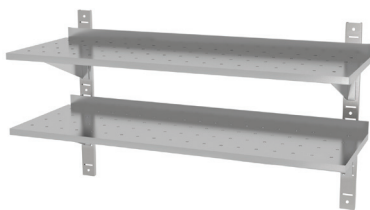
A mm	B = 300 mm			B = 400 mm		
	code	weight	price €	code	weight	price €
1600	382163-3-PERF	9	184,-	382164-3-PERF	9,5	216,-
1700	382173-3-PERF	9,5	191,-	382174-3-PERF	10	224,-
1800	382183-3-PERF	10	198,-	382184-3-PERF	10,5	234,-
1900	382193-3-PERF	10,5	206,-	382194-3-PERF	11	244,-
2000	382203-3-PERF	11	213,-	382204-3-PERF	11,5	254,-



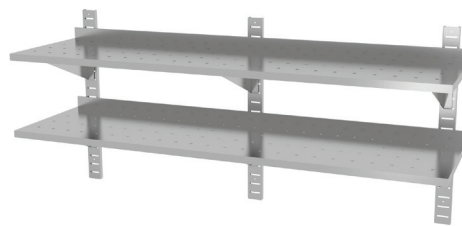
## Hanging shelf with two adjustable perforated shelves

- useable shelf depth C = 300 mm (B) – 33 mm = 267 mm
- useable shelf depth C = 400 mm (B) – 33 mm = 367 mm
- perforated shelf

### With two brackets



### With three brackets

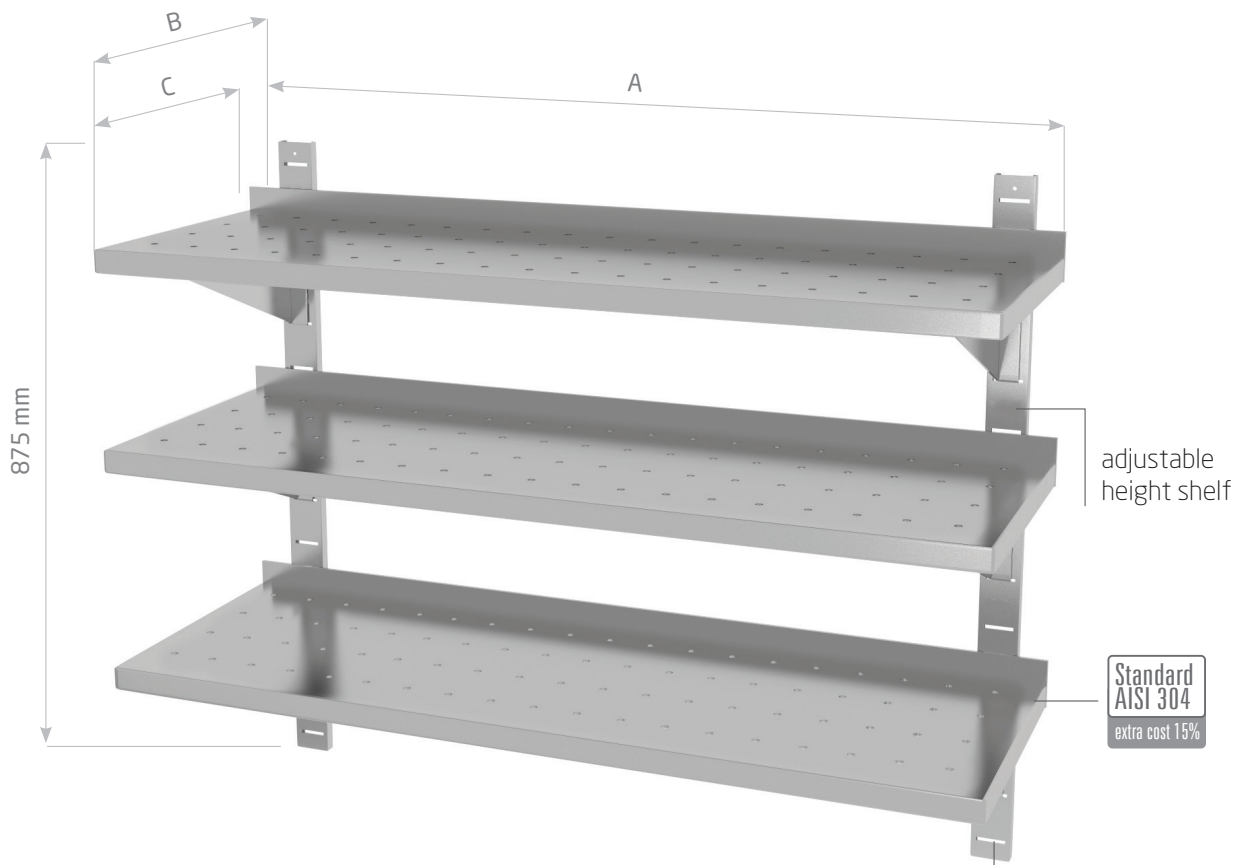


POL-384-PERF

A mm	B = 300 mm			B = 400 mm		
	code	weight kg	price €	code	weight kg	price €
600	384063-PERF	8	269,-	384064-PERF	9	297,-
700	384073-PERF	9	286,-	384074-PERF	10	317,-
800	384083-PERF	10	298,-	384084-PERF	11	335,-
900	384093-PERF	10	314,-	384094-PERF	12	356,-
1000	384103-PERF	11	331,-	384104-PERF	12	375,-
1100	384113-PERF	12	345,-	384114-PERF	13	392,-
1200	384123-PERF	12	359,-	384124-PERF	14	413,-
1300	384133-PERF	13	375,-	384134-PERF	15	432,-
1400	384143-PERF	14	389,-	384144-PERF	16	453,-
1500	384153-PERF	15	406,-	384154-PERF	17	469,-

POL-384-3-PERF

A mm	B = 300 mm			B = 400 mm		
	code	weight	price €	code	weight	price €
1600	384163-3-PERF	17	420,-	384164-3-PERF	20	490,-
1700	384173-3-PERF	17	433,-	384174-3-PERF	21	509,-
1800	384183-3-PERF	18	447,-	384184-3-PERF	21	528,-
1900	384193-3-PERF	19	462,-	384194-3-PERF	22	548,-
2000	384203-3-PERF	20	475,-	384204-3-PERF	23	566,-

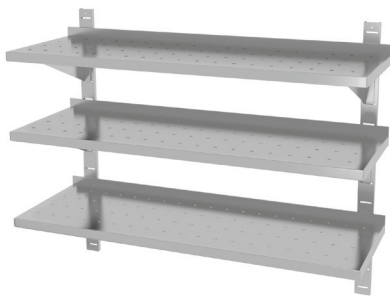


## Hanging shelf with three adjustable perforated shelves

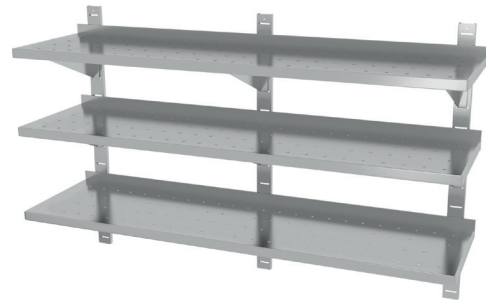
hanging fixtures included, easy wall mounting

- useable shelf depth C = 300 mm (B) – 33 mm = 267 mm
- useable shelf depth C = 400 mm (B) – 33 mm = 367 mm
- perforated shelf

### With two brackets



### With three brackets



POL-385-PERF

A mm	B = 300 mm			B = 400 mm		
	code	weight kg	price €	code	weight kg	price €
600	385063-PERF	12	399,-	385064-PERF	13	441,-
700	385073-PERF	13	420,-	385074-PERF	15	469,-
800	385083-PERF	14	444,-	385084-PERF	16	500,-
900	385093-PERF	15	468,-	385094-PERF	17	528,-
1000	385103-PERF	16	489,-	385104-PERF	19	556,-
1100	385113-PERF	17	513,-	385114-PERF	20	584,-
1200	385123-PERF	18	534,-	385124-PERF	21	615,-
1300	385133-PERF	19	558,-	385134-PERF	23	643,-
1400	385143-PERF	20	580,-	385144-PERF	24	671,-
1500	385153-PERF	21	602,-	385154-PERF	25	699,-

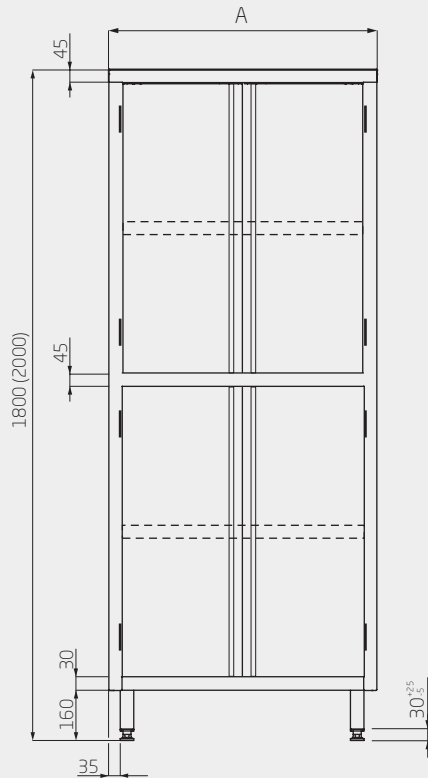
POL-385-3-PERF

A mm	B = 300 mm			B = 400 mm		
	code	weight	price €	code	weight	price €
1600	385163-3-PERF	24	623,-	385164-3-PERF	29	730,-
1700	385173-3-PERF	25	646,-	385174-3-PERF	30	759,-
1800	385183-3-PERF	26	668,-	385184-3-PERF	31	786,-
1900	385193-3-PERF	27	689,-	385194-3-PERF	33	815,-
2000	385203-3-PERF	28	712,-	385204-3-PERF	34	843,-

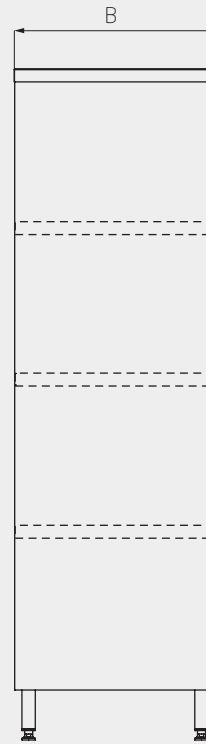
# Cupboard dimensions

## Storage cupboard with partition and hinged doors

front

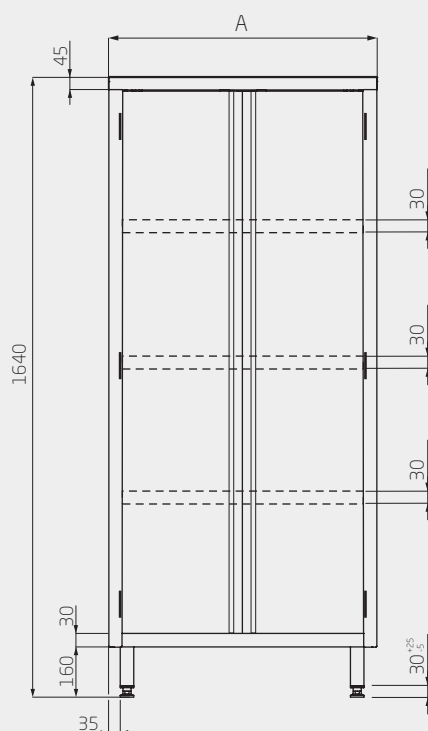


side

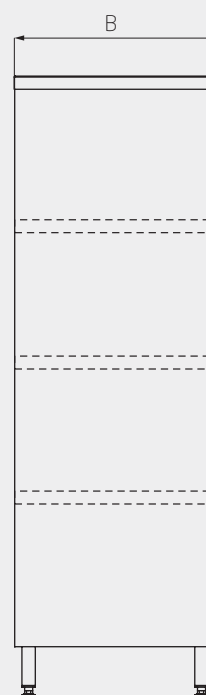


## Double-sided cupboard with partition and sliding doors

front



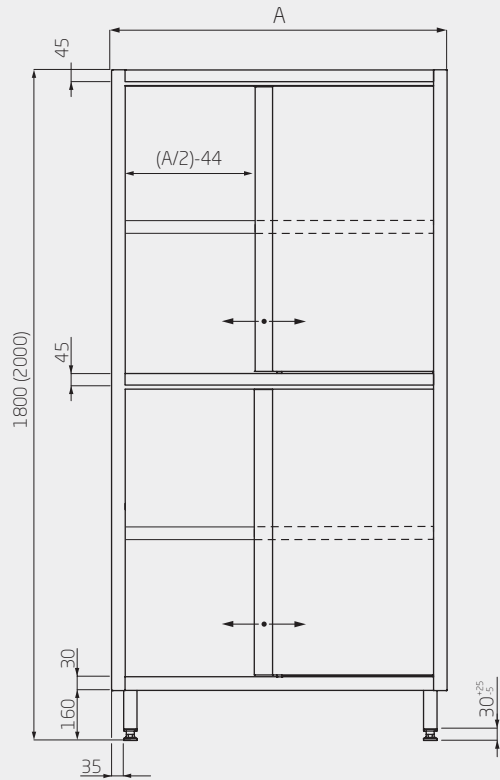
side



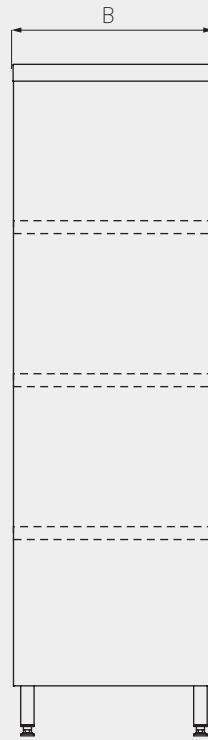
300 STORAGE CUPBOARDS

## Storage cupboard with partition and sliding doors

front



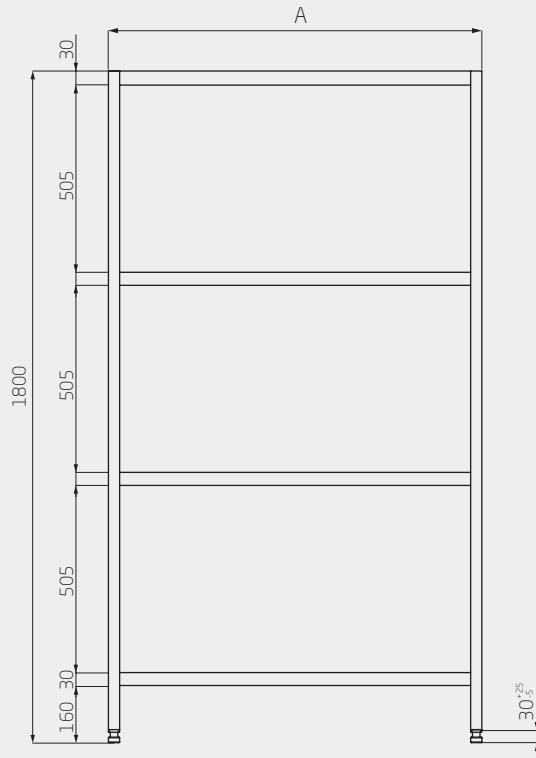
side



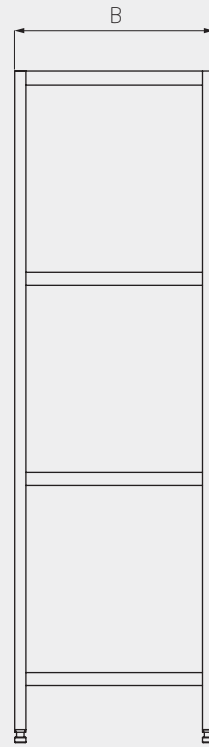
# Rack dimensions

## Storage rack with 4 solid shelves

front

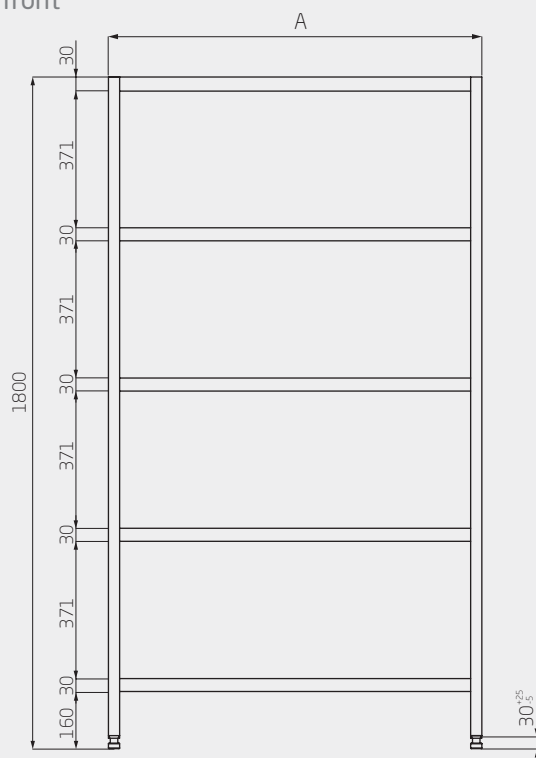


side

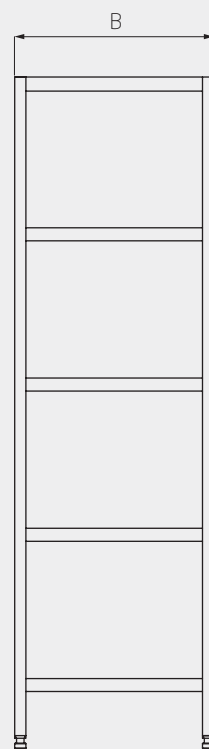


## Storage rack with 5 solid shelves

front



side

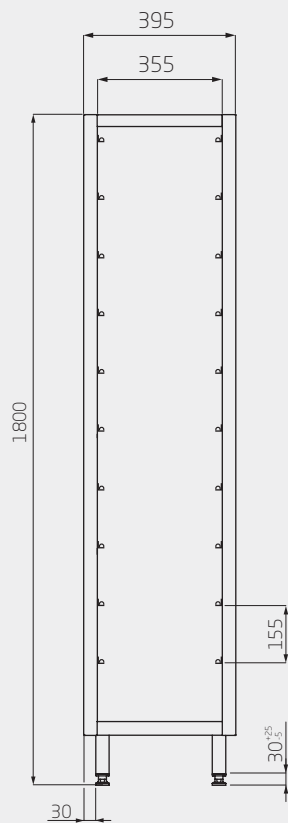


300 STORAGE CUPBOARDS

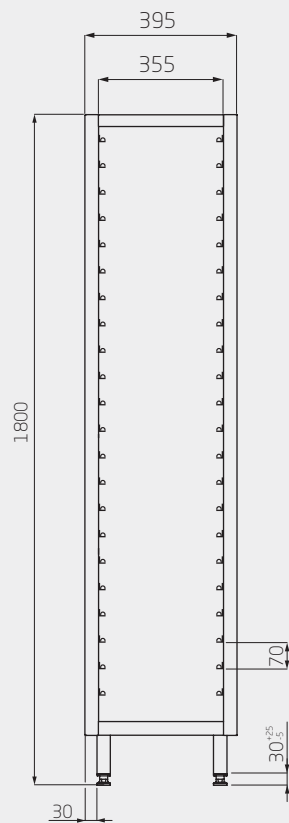


## Static rack for GN 1/1 containers

10 levels



22 levels



300 STORAGE CUPBOARDS



400

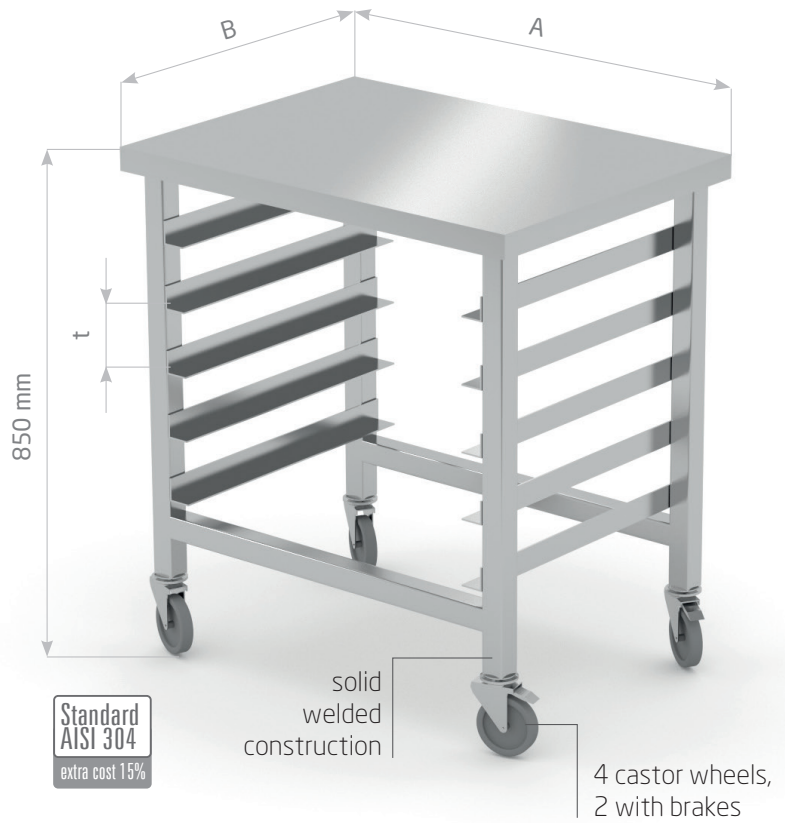
TROLLEYS, WASTE BINS



- castor wheels, two with brakes
- all trolleys and bins are welded - to ensure maximum durability
- furniture produced according to **AISI 304** standards - extra cost next to each individual item
- approximate permissible load per worktop or shelf is 70 kg/m<sup>2</sup>. If heavier loads are expected, please contact us in order to modify the design.

# Trolley for GN containers with work surface

- wheel diameter  $\varnothing$ 100 mm

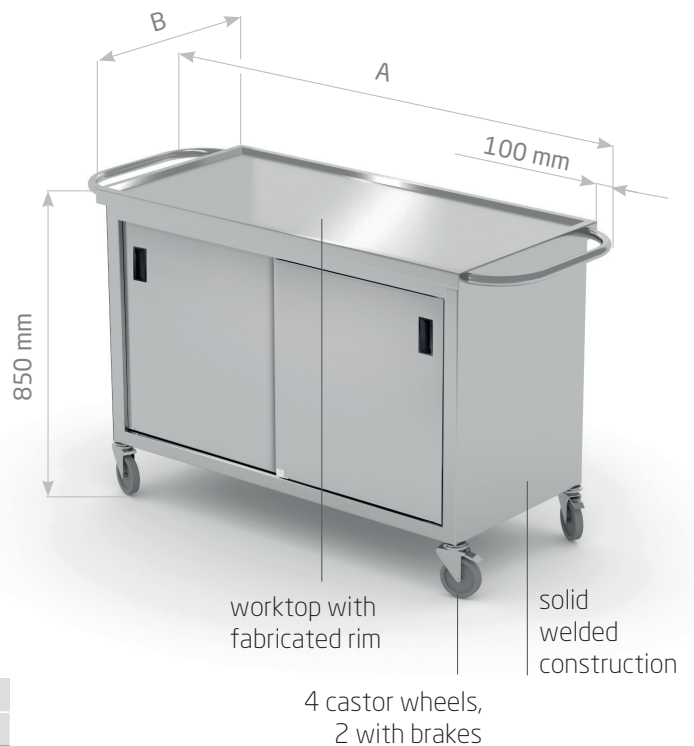


POL-421

A mm	B mm	type GN/tray	t mm	weight kg	code	price €
425	580	GN 1/1 5 pcs.	110	38	421110	542,-
750	580	GN 2/1 5 pcs.	110	44	421114	552,-
790	580	GN 1/1 2x5 pcs.	110	47	421122	752,-

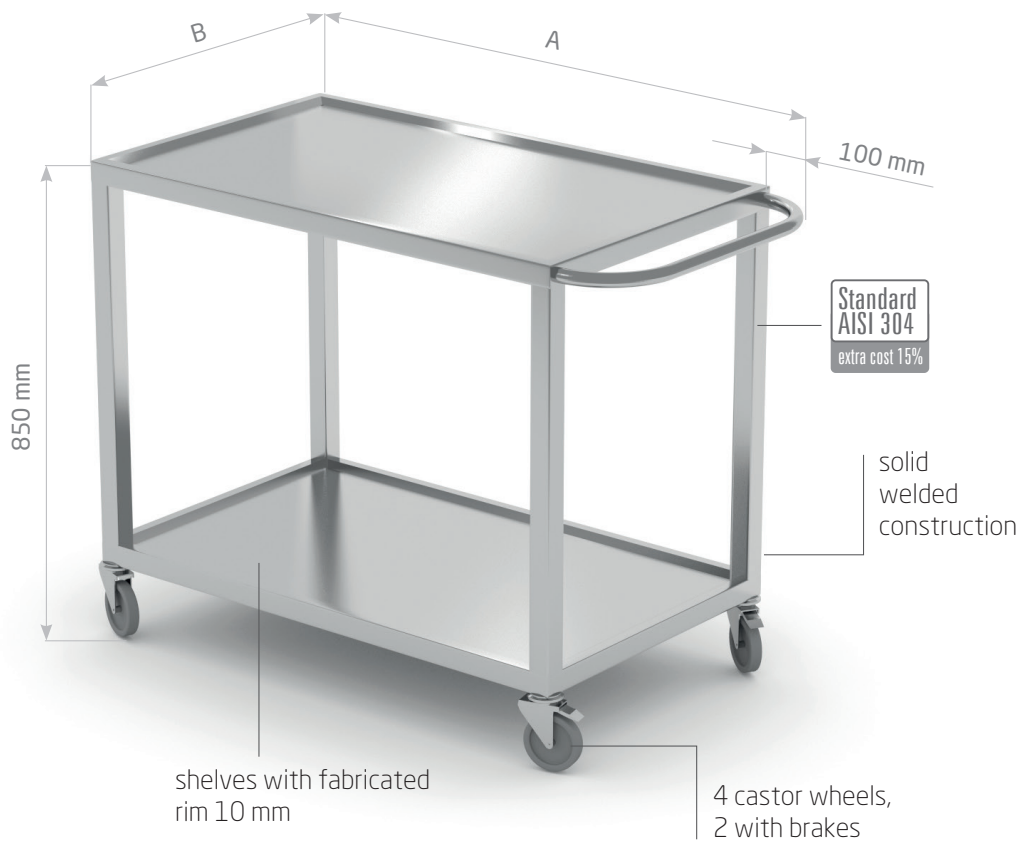
# Trolley cupboard with sliding doors

- measurement A represents external trolley size (including handles)
- wheel diameter 125 mm
- easy to remove shelf, non adjustable



POL-440

A mm	B = 600 mm		
	code	weight kg	price €
1000	440106	43	1 213,-
1100	440116	46	1 264,-
1200	440126	49	1 316,-



## Waiter's trolley

- shelves with fabricated rim
- measurement A represents external trolley size (including handles)
- wheel diameter 100 mm

### Two tier



POL-422

### Three tier

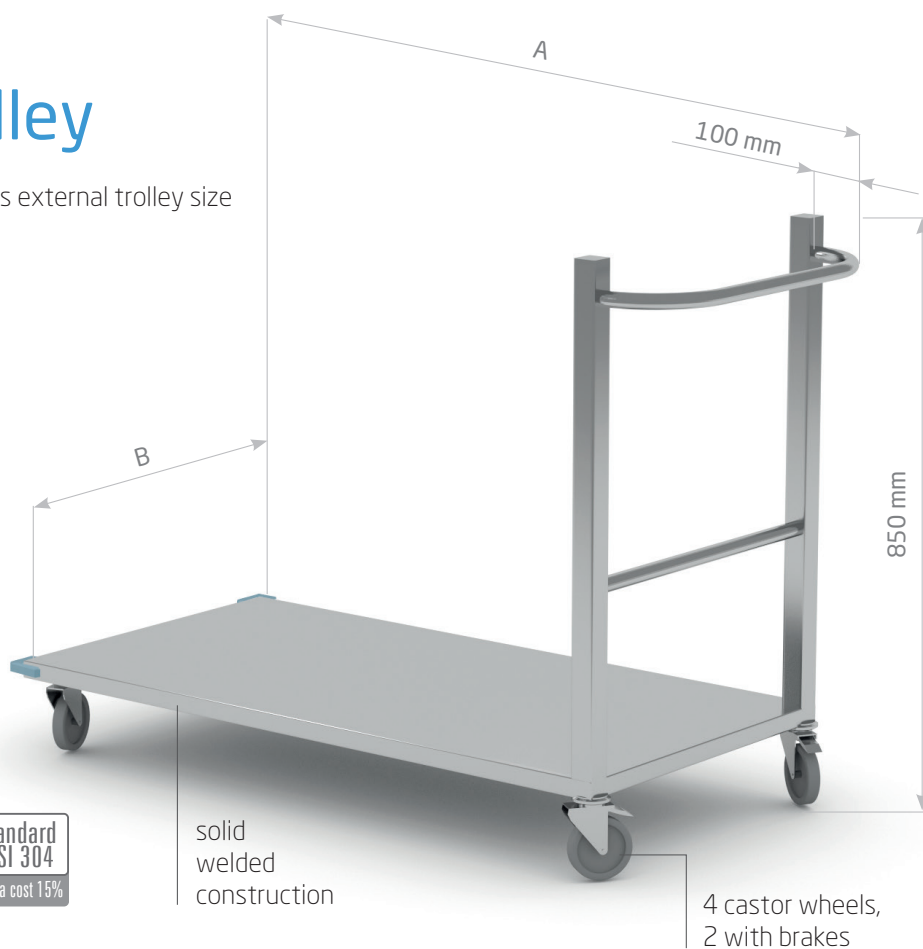


POL-423

A mm	B = 500 mm			B = 600 mm			B = 500 mm			B = 600 mm		
	code	weight kg	price €	code	weight kg	price €	code	weight kg	price €	code	weight kg	price €
800	422085	18	471,-	422086	19	504,-	423085	24	611,-	423086	25	663,-
900	422095	19	495,-	422096	20	531,-	423095	25	644,-	423096	26	703,-
1000	422105	20	514,-	422106	21	558,-	423105	26	679,-	423106	27	744,-
1100	422115	21	538,-	422116	22	580,-	423115	27	715,-	423116	28	785,-
1200	422125	22	560,-	422126	23	607,-	423125	28	747,-	423126	29	825,-

# Platform trolley

- measurement A represents external trolley size (including handles)
- wheel diameter 125 mm

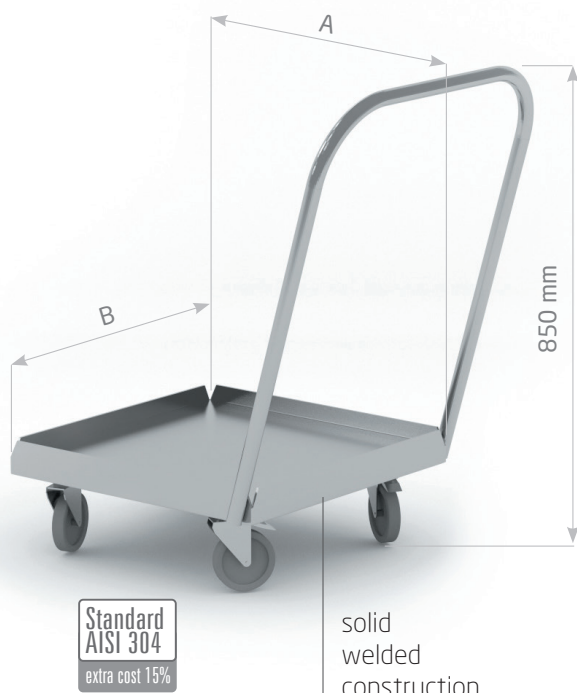


POL-424

A mm	B = 500 mm			B = 600 mm		
	code	weight kg	price €	code	weight kg	price €
800	424085	12	433,-	424086	13	467,-
900	424095	13	454,-	424096	14	490,-
1000	424105	14	474,-	424106	15	514,-
1100	424115	15	495,-	424116	16	538,-
1200	424125	16	514,-	424126	17	558,-

# Small platform trolley with handle

- Measurement A represents external platform size (without handle)
- adapted to carry 500x500 mm baskets
- easy to manoeuvre platform
- wheel diameter 100 mm

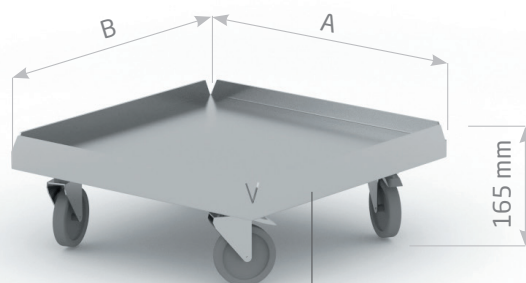


POL-427

A mm	B = 510 mm		
	code	weight kg	price €
510	427055	9	340,-

# Small platform trolley

- adapted to carry 500x500 mm baskets
- easy to manoeuvre platform
- wheel diameter 100 mm



Standard  
AISI 304  
extra cost 15%

solid  
welded  
construction

POL-426

A mm	B = 510 mm		
	code	weight kg	price €
510	426055	7	283,-

# Waiter's trolley with cutlery compartments

- for 4 GN containers (4x1/4, height=100 mm)
- wheel diameter 100 mm
- does not include GN containers



Standard  
AISI 304  
extra cost 15%

solid  
welded  
construction

1100 mm

4 castor wheels,  
2 with brakes

POL-425

A mm	B = 510 mm		
	code	weight kg	price €
650	425655	19	609,-

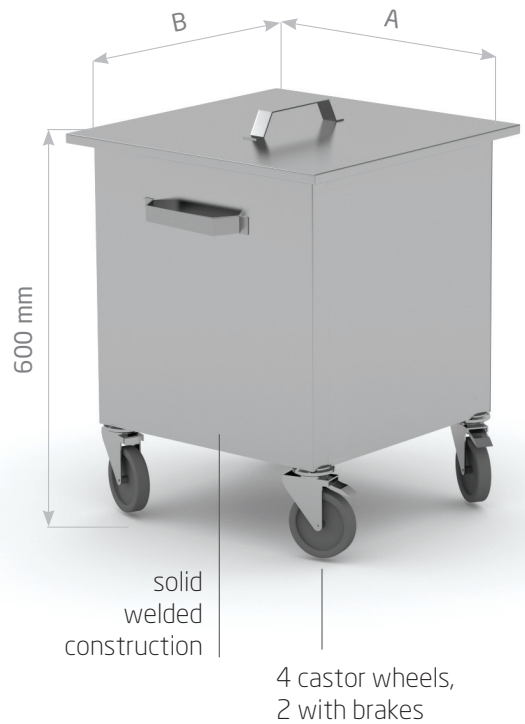
# Mobile waste bin

- welded construction
- castor wheels, two with brakes
- wheel diameter 100 mm

Standard  
AISI 304  
extra cost 15%

POL-429-K

A mm	B = 500 mm			
	code	capacity l	weight kg	price €
400	429045-K	68	11	632,-
500	429055-K	89	12	685,-



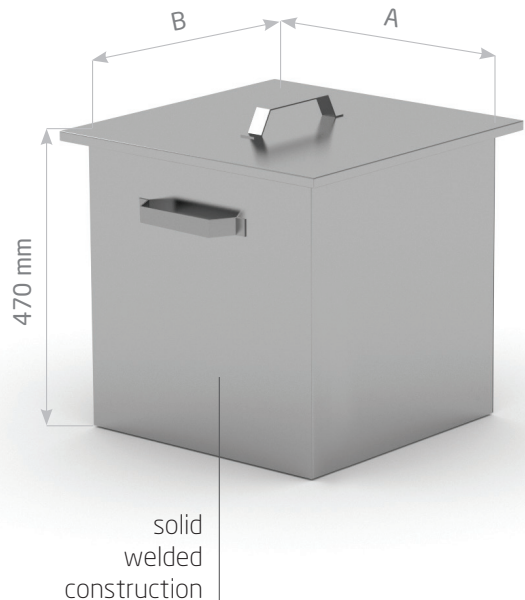
# Waste bin

- welded construction

Standard  
AISI 304  
extra cost 15%

POL-429

A mm	B = 500 mm			
	code	capacity l	weight kg	price €
400	429045	68	11	584,-
500	429055	89	12	637,-









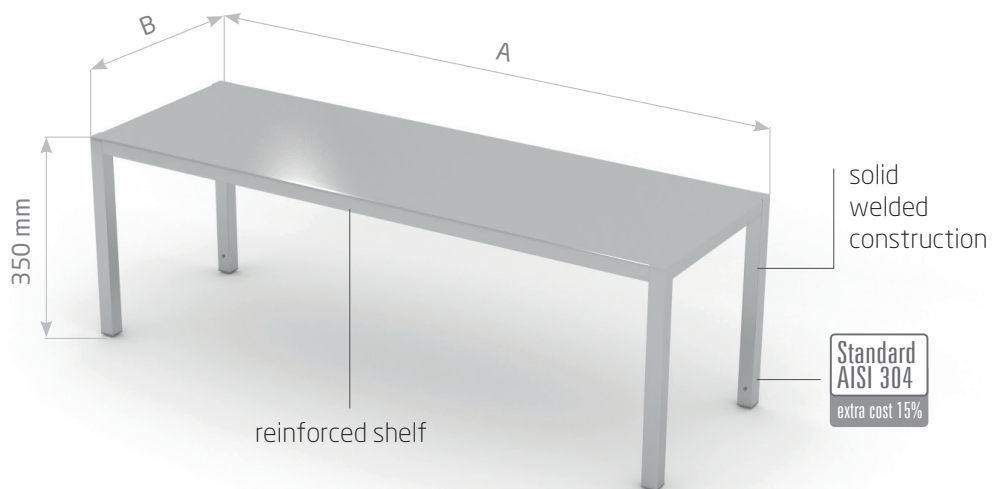
500

OVERSHELVES, STANDS



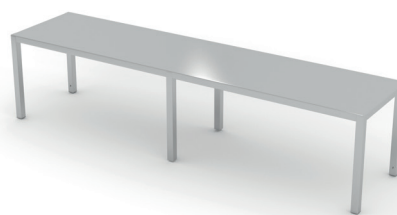
500  
OVERSHELVES,  
STANDS

- welded construction - ensures stability and durability
- overshelves ready for permanent fitting, optional adjustable feet
- oven stands have runners for GN 1/1 containers
- furniture produced according to AISI 304 standards
  - extra cost next to each individual item
- approximate permissible load per worktop or shelf is 70 kg/m<sup>2</sup>. If heavier loads are expected, please contact us in order to modify the design.



## 1 level overshelf

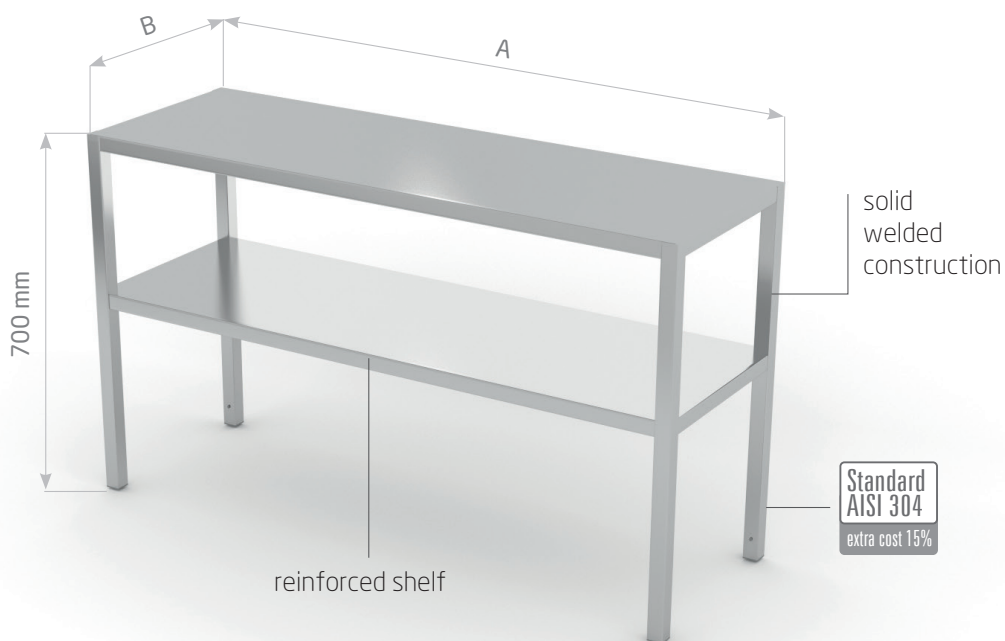
- preparation for permanent mounting as standard
- optional extra at the customer's request – with adjustable feet



POL-501

POL-501-6

A mm	B = 300 mm			B = 400 mm			A mm	B = 300 mm			B = 400 mm		
	code	weight kg	price €	code	weight kg	price €		code	weight kg	price €	code	weight kg	price €
600	501063	3	143,-	501064	4	153,-	1500	501153-6	6	202,-	501154-6	7	224,-
700	501073	3	151,-	501074	4	160,-	1600	501163-6	6	207,-	501164-6	7	233,-
800	501083	3	157,-	501084	4	168,-	1700	501173-6	6	216,-	501174-6	7	241,-
900	501093	4	163,-	501094	4	177,-	1800	501183-6	6	221,-	501184-6	8	247,-
1000	501103	4	171,-	501104	5	185,-	1900	501193-6	7	230,-	501194-6	8	255,-
1100	501113	4	177,-	501114	5	193,-							
1200	501123	4	182,-	501124	5	199,-							
1300	501133	4	191,-	501134	5	207,-							
1400	501143	5	196,-	501144	6	216,-							



## 2 level overshelves

- preparation for permanent mounting as standard
- optional extra at the customer's request – with adjustable feet



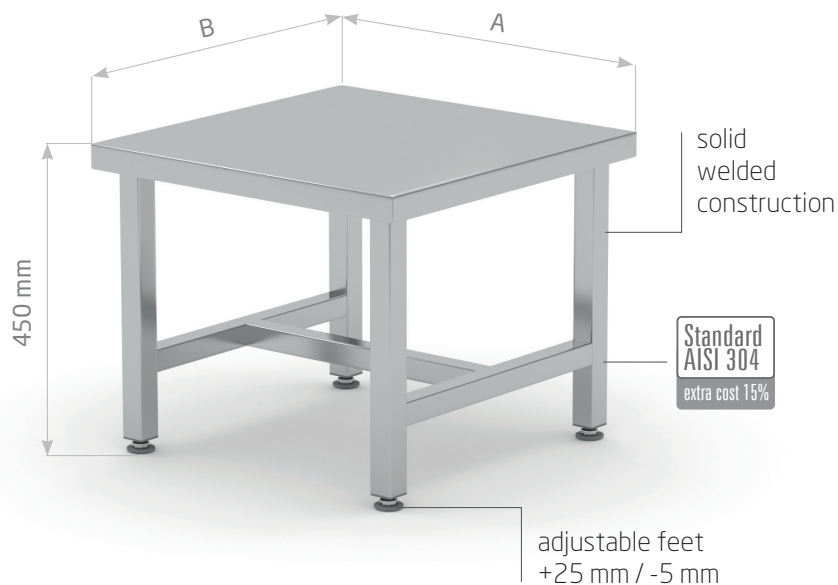
POL-502



POL-502-6

A mm	B = 300 mm			B = 400 mm			A mm	B = 300 mm			B = 400 mm		
	code	weight kg	price €	code	weight kg	price €		code	weight kg	price €	code	weight kg	price €
600	502063	6	241,-	502064	7	256,-	1500	502153-6	12	354,-	502154-6	14	408,-
700	502073	7	252,-	502074	8	273,-	1600	502163-6	12	370,-	502164-6	14	426,-
800	502083	7	266,-	502084	8	289,-	1700	502173-6	13	394,-	502174-6	15	442,-
900	502093	7	280,-	502094	9	305,-	1800	502183-6	13	405,-	502184-6	15	459,-
1000	502103	8	290,-	502104	9	319,-	1900	502193-6	13	420,-	502194-6	16	475,-
1100	502113	8	305,-	502114	10	336,-							
1200	502123	9	317,-	502124	10	353,-							
1300	502133	9	329,-	502134	11	367,-							
1400	502143	9	345,-	502144	11	382,-							

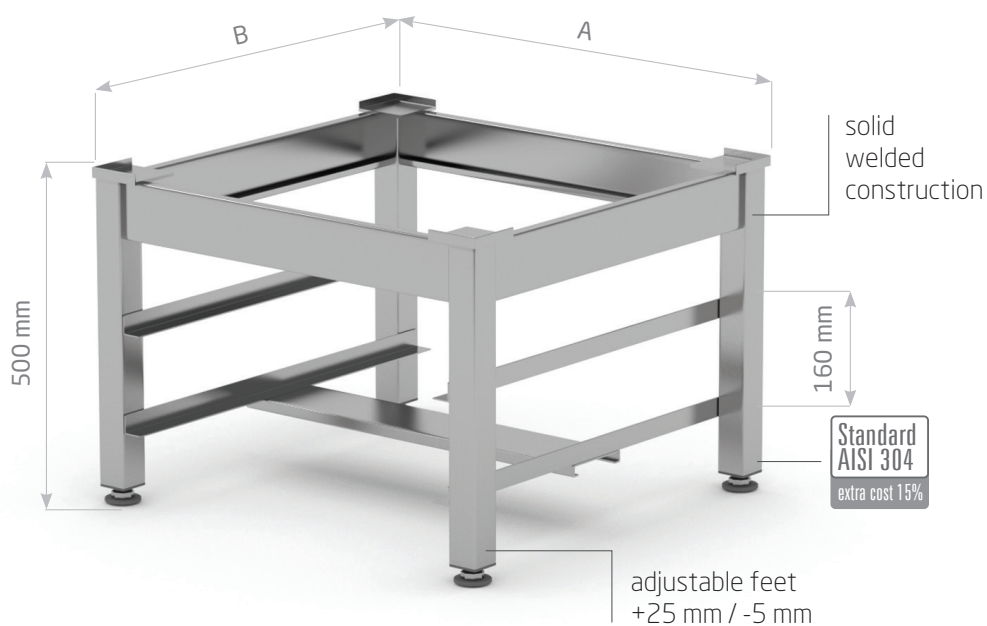
500 OVERSHELVES,  
STANDS



## Pot stand

POL-505

A mm	B = 400 mm			B = 500 mm			B = 600 mm		
	code	weight kg	price €	code	weight kg	price €	code	weight kg	price €
400	505044	12	222,-	505045	13	235,-	505046	14	274,-
500	505054	13	235,-	505055	14	257,-	505056	15	283,-
600	505064	14	245,-	505065	15	264,-	505066	16	294,-

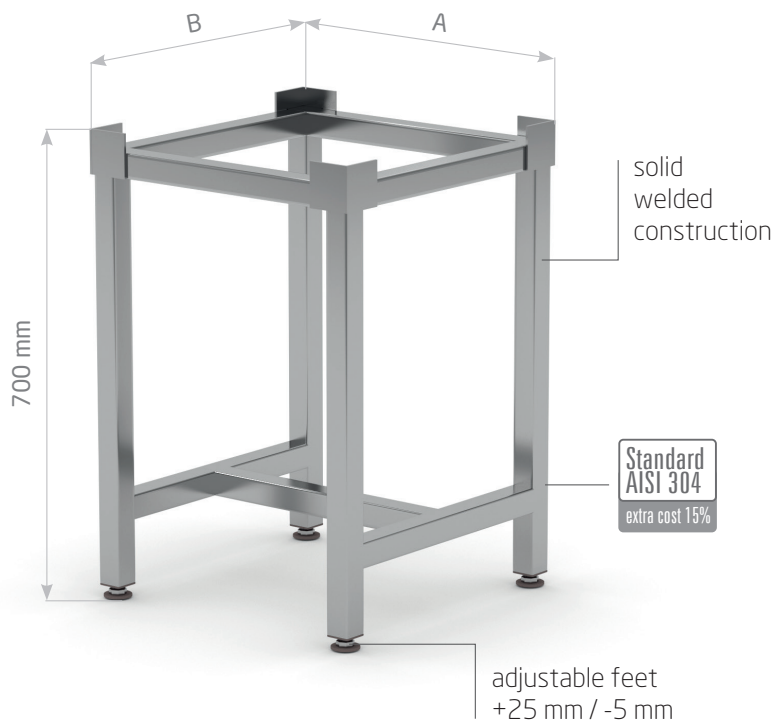


## Dishwasher stand

- bin guides 500x500x(h)150 mm

POL-517

A mm	B = 565 mm		
	code	weight kg	price €
595	517554	12	251,-



## Butcher's block stand

POL-507

A mm	B = 400 mm			B = 500 mm		
	code	weight kg	price €	code	weight kg	price €
400	507044	7	255,-	507045	8	267,-
500	507054	8	267,-	507055	9	274,-

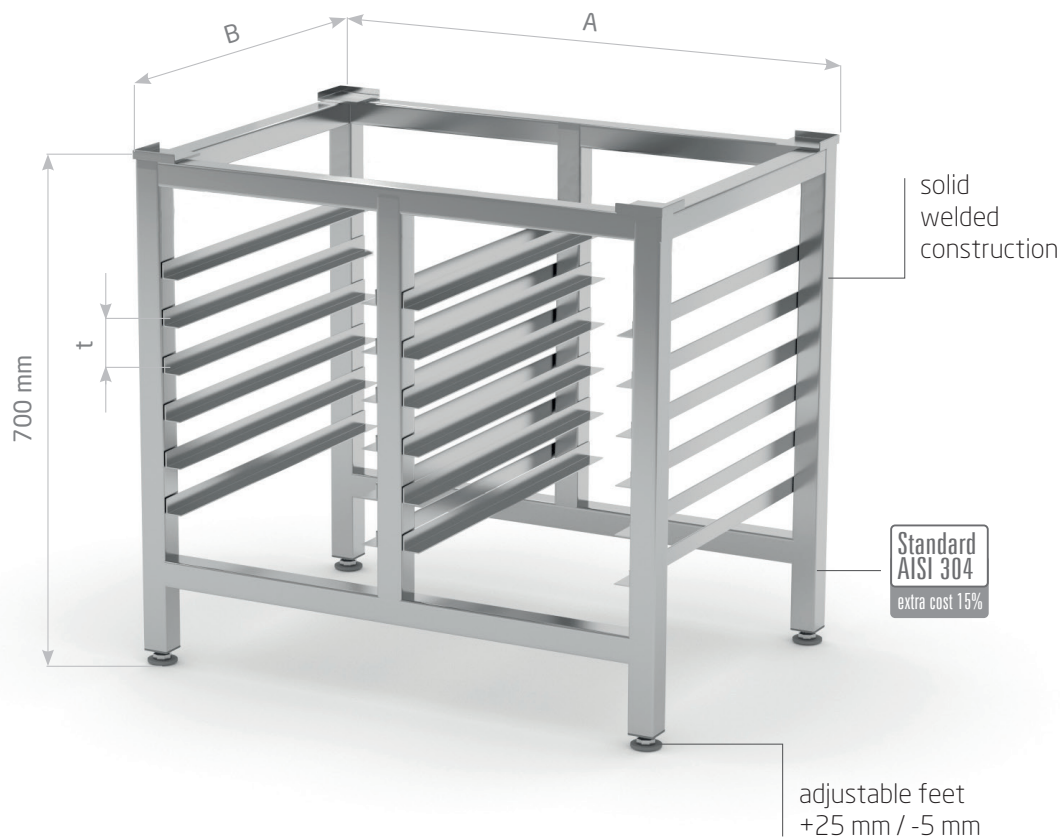
## Polyethylene butcher's block



POL-509

A mm	B = 400 mm		
	code	H	price €
500	509545	50	302,-
500	509548	80	371,-

A mm	B = 500 mm		
	code	H	price €
400	509455	50	302,-
400	509458	80	371,-



## Oven stand

- guide rails for GN 1/1

POL-513

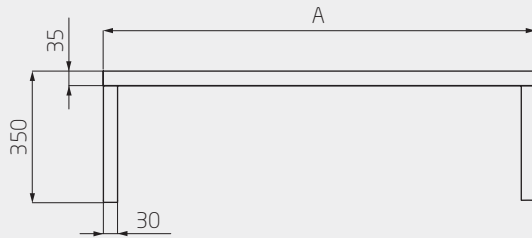
A mm	B mm	type GN/tray	t mm	weight kg	code	price €
830	585	2x 6 pcs. GN 1/1	70	27	513857	696,-



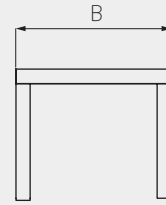
# Overshelf dimensions

## 1 level overshelf

front

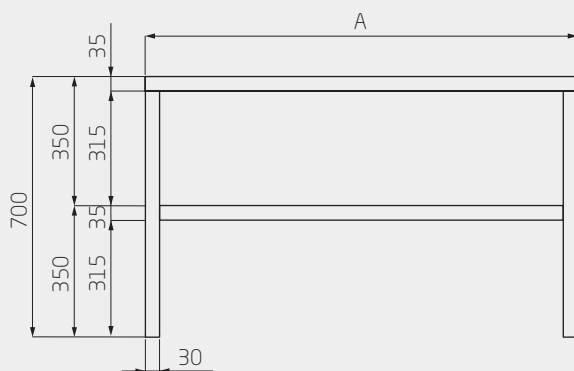


side

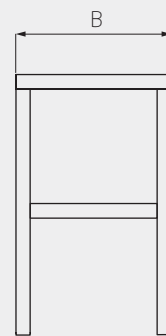


## 2 level overshelves

front



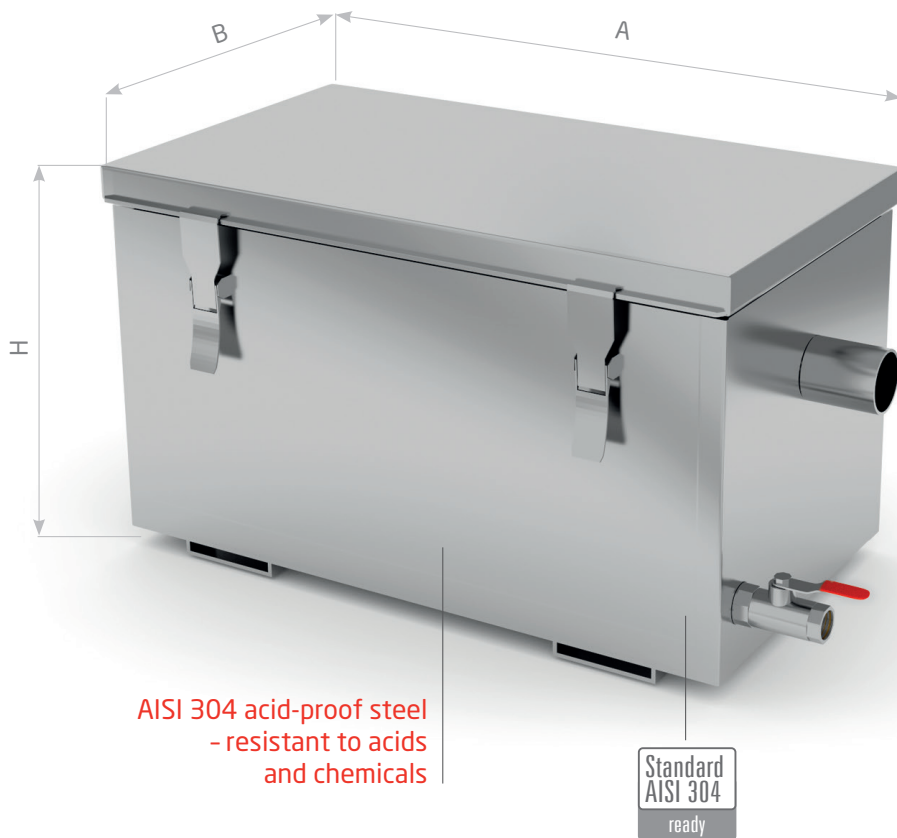
side





6000

AUXILIARY EQUIPMENT

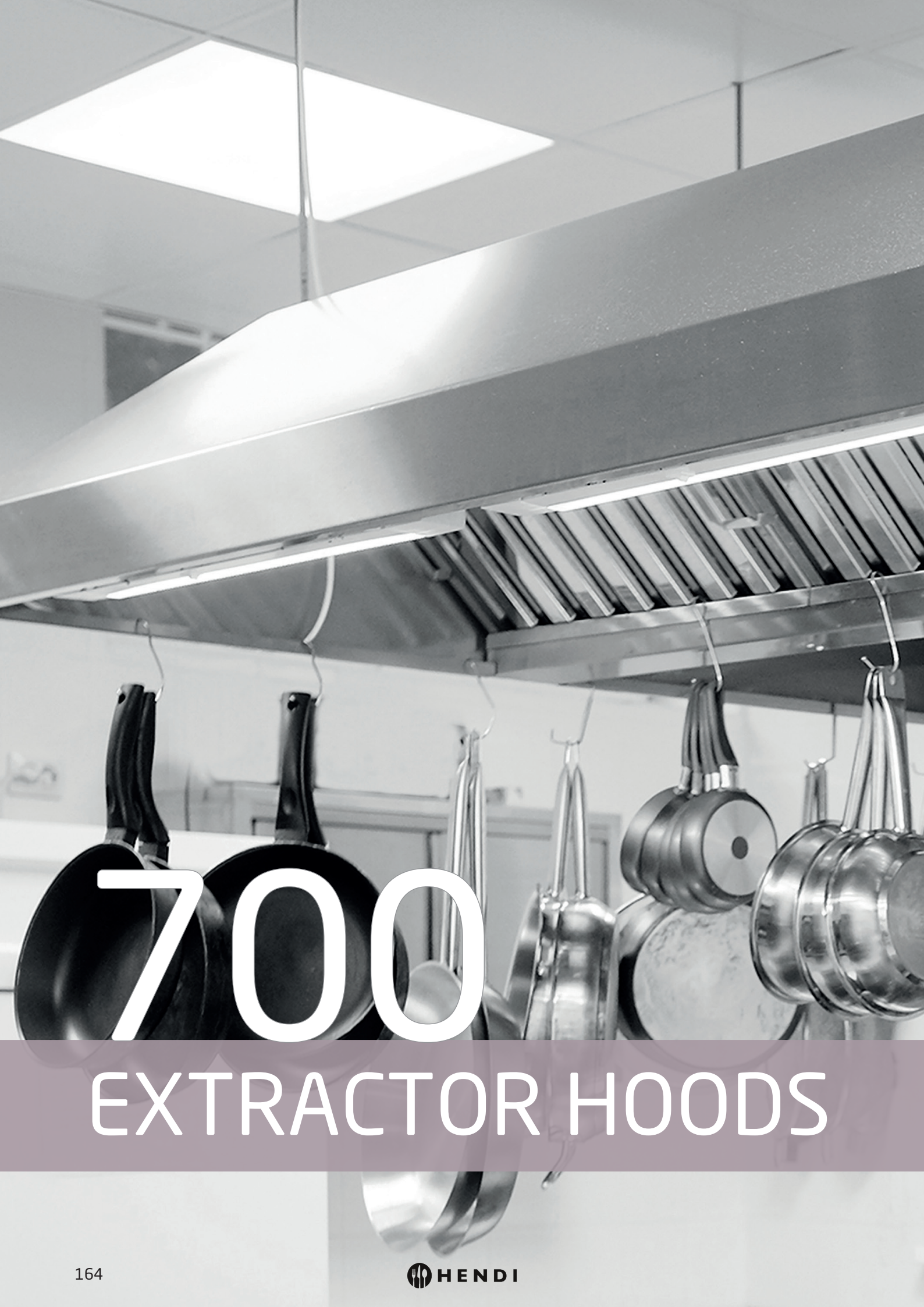


## Professional grease separator

Its purpose is to separate the organic oils from the waste water; it is intended for fitting with sinks, troughs and dishwashers. It is manufactured from **AISI 304** stainless steel and meets all the requirements of the professional catering business. It is equipped with an integrated grease and organic waste tank, inflow and outflow devices with a diameter of 50 mm and drain ball valve 1/2 inch. The sealed cover features stainless steel locking clips. The grease separator is available in three versions: 30 l, 60 l, 180 l.

### POL-601

A mm	B mm	H mm	capacity l	weight kg	code	price €
650	346	308	30	13	601030	630,-
728	416	398	60	17	601060	820,-
903	548	629	180	36	601180	1 009,-



700

EXTRACTOR HOODS



# Extractor hoods

## Intended use:

Extractor hoods are designed to capture and remove heat, steam and contaminants (mainly grease particles) generated in the process of cooking, frying and baking in a professional kitchen, without additional fresh air supply. The exhaust air flows through the filters (labyrinth filters). Grease particles and contaminants settle on the labyrinth filters and are carried off to the collection channel of the extractor hood. An outlet at the collection channel allows the discharge of grease and contaminants.

## Hood models:

- box
- angled
- trapezoid

## Each hood model is available in two options:

- wall mounted
- central

## Execution:

- the hoods are manufactured from top grade stainless steel
- extractor hoods size A > 2600 mm are made as a joint unit (fixed with screws) with two or more middle modules
- the hoods are provided with a system of holes and hanging fixtures for mounting
- labyrinth filters, duct connectors and lighting are available as extra hood accessories
- the hoods are not equipped with fans
- the hood should be connected to a fan or a ventilation system in the building

## Extra accessories for extractor hoods:

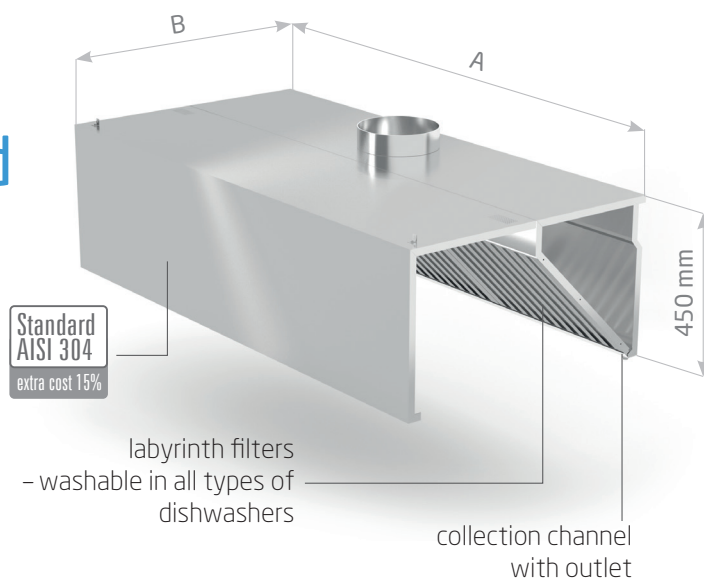
- **labyrinth filters**, reusable, washable in all types of dishwashers – for an extra cost, catalogue p. 181
- **hood lighting**: fluorescent lamps with IP65 protection rating or LED – for an extra cost, catalogue p. 182
- **round or rectangular duct connectors** – for an extra cost, catalogue p. 182  
Upon placing the order, please specify the type, size and number of duct connectors. The location of duct connectors in line with the design standard of Polgast - catalogue p. 183-184
- **AISI 304 standard** – for an extra cost of **15%**

## How to care for hoods?

- clean labyrinth filters on a regular basis
- labyrinth filters should be properly mounted to allow the condensate to flow into the hood
- systematically empty the collection channel from the condensate, preferably every few days
- cleaning and maintenance of stainless steel furniture - catalogue p. 7.

# Wall mounted box extractor hood

**Note!** Prices of hoods do not include extra accessories, i.e. labyrinth filters, lighting and duct connectors - see p. 181-182

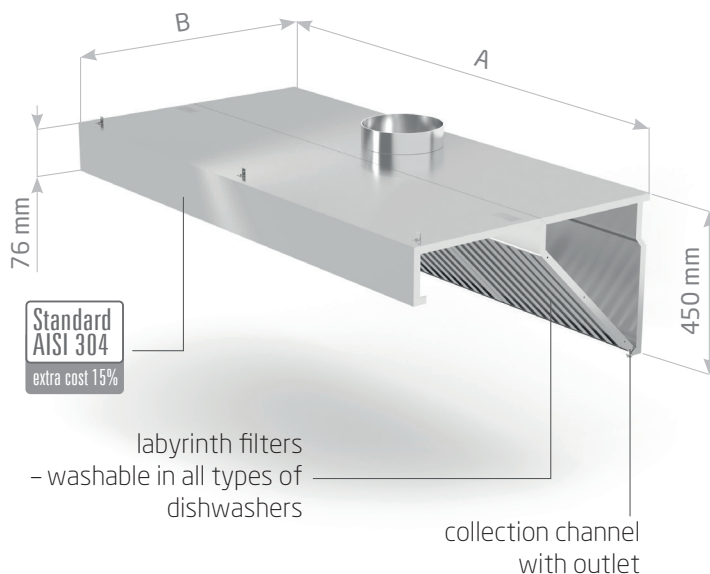


POL-710

A mm	price €							
	B = 700 mm	B = 800 mm	B = 900 mm	B = 1000 mm	B = 1100 mm	B = 1200 mm	B = 1300 mm	B = 1400 mm
1000	626,-	656,-	681,-	709,-	738,-	766,-	794,-	824,-
1100	650,-	678,-	706,-	736,-	764,-	792,-	821,-	849,-
1200	672,-	702,-	730,-	761,-	792,-	824,-	855,-	885,-
1300	695,-	727,-	755,-	786,-	818,-	849,-	881,-	912,-
1400	719,-	748,-	780,-	808,-	838,-	867,-	895,-	923,-
1500	741,-	772,-	804,-	835,-	867,-	898,-	930,-	960,-
1600	764,-	794,-	829,-	860,-	892,-	923,-	954,-	986,-
1700	786,-	818,-	852,-	885,-	920,-	955,-	989,-	1 023,-
1800	806,-	843,-	878,-	912,-	946,-	981,-	1 014,-	1 048,-
1900	829,-	867,-	901,-	937,-	975,-	1 012,-	1 049,-	1 086,-
2000	852,-	890,-	926,-	964,-	1 000,-	1 037,-	1 075,-	1 111,-
2100	874,-	912,-	953,-	989,-	1 026,-	1 062,-	1 098,-	1 136,-
2200	906,-	946,-	992,-	1 031,-	1 072,-	1 089,-	1 156,-	1 195,-
2300	937,-	981,-	1 031,-	1 073,-	1 117,-	1 159,-	1 201,-	1 244,-
2400	970,-	1 014,-	1 072,-	1 117,-	1 161,-	1 208,-	1 254,-	1 300,-
2500	1 000,-	1 048,-	1 111,-	1 160,-	1 208,-	1 257,-	1 306,-	1 355,-
2600	1 031,-	1 083,-	1 150,-	1 202,-	1 254,-	1 304,-	1 356,-	1 407,-
2700	1 062,-	1 117,-	1 191,-	1 246,-	1 300,-	1 353,-	1 408,-	1 463,-
2800	1 094,-	1 150,-	1 231,-	1 288,-	1 345,-	1 401,-	1 458,-	1 515,-
2900	1 125,-	1 185,-	1 271,-	1 331,-	1 390,-	1 449,-	1 509,-	1 568,-
3000	1 258,-	1 318,-	1 404,-	1 464,-	1 524,-	1 585,-	1 643,-	1 704,-
3100	1 297,-	1 360,-	1 447,-	1 509,-	1 572,-	1 634,-	1 697,-	1 760,-
3200	1 337,-	1 398,-	1 489,-	1 554,-	1 620,-	1 685,-	1 750,-	1 814,-
3300	1 374,-	1 437,-	1 531,-	1 599,-	1 667,-	1 734,-	1 803,-	1 870,-
3400	1 414,-	1 477,-	1 575,-	1 645,-	1 716,-	1 786,-	1 856,-	1 926,-
3500	1 453,-	1 515,-	1 617,-	1 690,-	1 762,-	1 835,-	1 908,-	1 981,-
3600	1 492,-	1 554,-	1 659,-	1 736,-	1 812,-	1 889,-	1 954,-	2 041,-
3700	1 530,-	1 593,-	1 702,-	1 779,-	1 861,-	1 938,-	2 016,-	2 095,-
3800	1 569,-	1 632,-	1 744,-	1 826,-	1 907,-	1 989,-	2 069,-	2 152,-
3900	1 608,-	1 670,-	1 788,-	1 870,-	1 954,-	2 040,-	2 121,-	2 204,-
4000	1 648,-	1 709,-	1 830,-	1 917,-	2 002,-	2 089,-	2 176,-	2 261,-
4100	1 687,-	1 748,-	1 872,-	1 961,-	2 050,-	2 139,-	2 228,-	2 317,-
4200	1 725,-	1 788,-	1 915,-	2 006,-	2 099,-	2 191,-	2 282,-	2 376,-
4300	1 764,-	1 826,-	1 957,-	2 052,-	2 146,-	2 242,-	2 337,-	2 436,-
4400	1 803,-	1 865,-	2 001,-	2 097,-	2 194,-	2 291,-	2 387,-	2 484,-
4500	1 842,-	1 904,-	2 043,-	2 142,-	2 242,-	2 343,-	2 442,-	2 541,-
4600	1 880,-	1 943,-	2 085,-	2 187,-	2 291,-	2 393,-	2 495,-	2 597,-
4700	1 919,-	1 981,-	2 128,-	2 233,-	2 338,-	2 443,-	2 548,-	2 652,-
4800	1 957,-	2 020,-	2 170,-	2 278,-	2 385,-	2 494,-	2 600,-	2 708,-
4900	1 998,-	2 059,-	2 214,-	2 323,-	2 434,-	2 544,-	2 654,-	2 764,-
5000	2 036,-	2 099,-	2 256,-	2 368,-	2 481,-	2 592,-	2 701,-	2 812,-

# Wall mounted angled extractor hood

**Note!** Prices of hoods do not include extra accessories, i.e. labyrinth filters, lighting and duct connectors - see p. 181-182



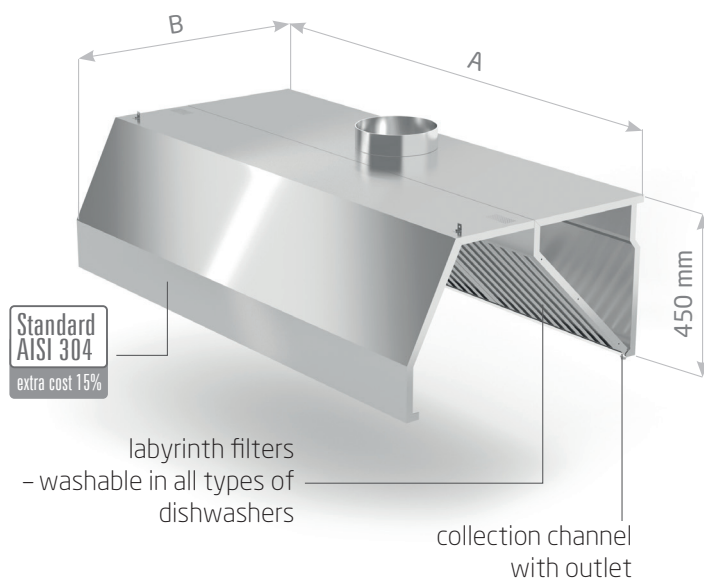
POL-730

A mm	price €						
	B = 700 mm	B = 800 mm	B = 900 mm	B = 1000 mm	B = 1100 mm	B = 1200 mm	B = 1300 mm
1000	593,-	621,-	647,-	675,-	703,-	731,-	761,-
1100	614,-	642,-	670,-	698,-	727,-	755,-	783,-
1200	632,-	660,-	689,-	719,-	747,-	775,-	804,-
1300	650,-	681,-	709,-	741,-	772,-	804,-	835,-
1400	670,-	702,-	731,-	764,-	794,-	827,-	857,-
1500	689,-	720,-	752,-	783,-	815,-	846,-	878,-
1600	709,-	741,-	775,-	806,-	838,-	869,-	901,-
1700	727,-	761,-	794,-	829,-	863,-	898,-	932,-
1800	747,-	780,-	815,-	852,-	890,-	926,-	964,-
1900	766,-	800,-	838,-	871,-	906,-	940,-	978,-
2000	783,-	821,-	857,-	895,-	932,-	970,-	1 006,-
2100	800,-	841,-	878,-	918,-	958,-	998,-	1 037,-
2200	818,-	860,-	898,-	940,-	984,-	1 026,-	1 069,-
2300	835,-	880,-	918,-	964,-	1 009,-	1 055,-	1 100,-
2400	852,-	901,-	937,-	986,-	1 034,-	1 083,-	1 132,-
2500	869,-	920,-	958,-	1 009,-	1 061,-	1 111,-	1 161,-
2600	885,-	940,-	978,-	1 031,-	1 086,-	1 139,-	1 194,-
2700	904,-	960,-	998,-	1 055,-	1 111,-	1 168,-	1 224,-
2800	920,-	981,-	1 017,-	1 077,-	1 136,-	1 196,-	1 257,-
2900	937,-	1 000,-	1 037,-	1 100,-	1 161,-	1 224,-	1 288,-
3000	1 070,-	1 133,-	1 170,-	1 233,-	1 296,-	1 359,-	1 421,-
3100	1 110,-	1 174,-	1 213,-	1 278,-	1 342,-	1 408,-	1 472,-
3200	1 149,-	1 215,-	1 255,-	1 324,-	1 388,-	1 457,-	1 524,-
3300	1 187,-	1 257,-	1 299,-	1 369,-	1 435,-	1 505,-	1 576,-
3400	1 226,-	1 297,-	1 341,-	1 414,-	1 481,-	1 554,-	1 628,-
3500	1 265,-	1 338,-	1 384,-	1 460,-	1 527,-	1 603,-	1 678,-
3600	1 304,-	1 380,-	1 426,-	1 505,-	1 573,-	1 653,-	1 730,-
3700	1 344,-	1 421,-	1 468,-	1 550,-	1 620,-	1 701,-	1 782,-
3800	1 381,-	1 461,-	1 512,-	1 596,-	1 666,-	1 750,-	1 834,-
3900	1 421,-	1 502,-	1 554,-	1 641,-	1 712,-	1 800,-	1 886,-
4000	1 460,-	1 544,-	1 596,-	1 685,-	1 760,-	1 849,-	1 938,-
4100	1 498,-	1 585,-	1 639,-	1 730,-	1 805,-	1 897,-	1 989,-
4200	1 537,-	1 625,-	1 681,-	1 776,-	1 851,-	1 946,-	2 041,-
4300	1 576,-	1 666,-	1 725,-	1 821,-	1 898,-	1 995,-	2 093,-
4400	1 615,-	1 708,-	1 767,-	1 866,-	1 943,-	2 044,-	2 145,-
4500	1 653,-	1 748,-	1 809,-	1 912,-	1 991,-	2 093,-	2 195,-
4600	1 692,-	1 789,-	1 852,-	1 957,-	2 037,-	2 142,-	2 247,-
4700	1 732,-	1 830,-	1 894,-	2 002,-	2 083,-	2 191,-	2 299,-
4800	1 771,-	1 872,-	1 938,-	2 047,-	2 130,-	2 240,-	2 351,-
4900	1 809,-	1 912,-	1 980,-	2 093,-	2 176,-	2 289,-	2 403,-
5000	1 848,-	1 953,-	2 022,-	2 139,-	2 222,-	2 338,-	2 455,-



# Wall mounted trapezoid extractor hood

**Note!** Prices of hoods do not include extra accessories, i.e. labyrinth filters, lighting and duct connectors - see p. 181-182

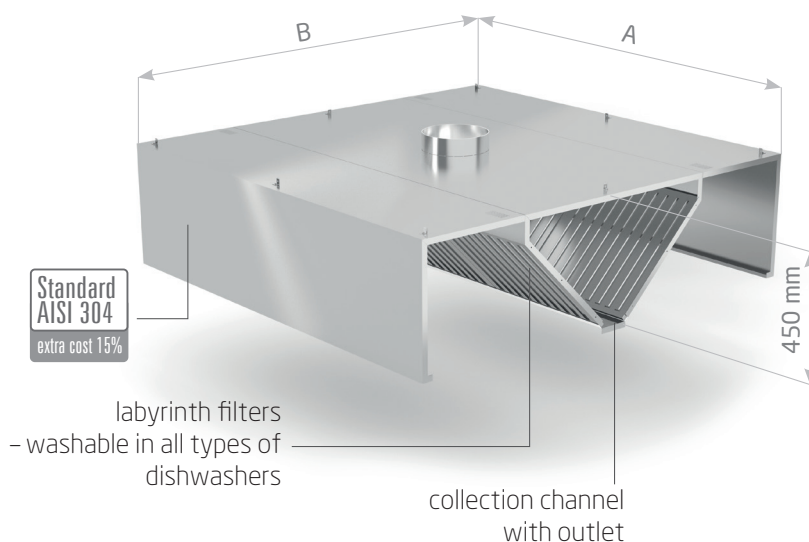


POL-740

A mm	price €						
	B = 800 mm	B = 900 mm	B = 1000 mm	B = 1100 mm	B = 1200 mm	B = 1300 mm	B = 1400 mm
1000	643,-	670,-	702,-	727,-	758,-	790,-	824,-
1100	667,-	695,-	723,-	755,-	780,-	807,-	832,-
1200	689,-	719,-	748,-	778,-	806,-	834,-	863,-
1300	713,-	744,-	772,-	804,-	835,-	867,-	898,-
1400	736,-	766,-	797,-	829,-	860,-	892,-	922,-
1500	758,-	789,-	824,-	855,-	890,-	923,-	957,-
1600	780,-	811,-	849,-	880,-	915,-	948,-	984,-
1700	804,-	838,-	871,-	906,-	940,-	974,-	1 009,-
1800	827,-	860,-	895,-	932,-	967,-	1 000,-	1 034,-
1900	849,-	885,-	920,-	958,-	992,-	1 026,-	1 061,-
2000	871,-	909,-	943,-	984,-	1 020,-	1 058,-	1 094,-
2100	895,-	932,-	972,-	1 009,-	1 045,-	1 082,-	1 119,-
2200	918,-	955,-	995,-	1 031,-	1 072,-	1 111,-	1 150,-
2300	937,-	981,-	1 020,-	1 061,-	1 100,-	1 139,-	1 180,-
2400	964,-	1 003,-	1 044,-	1 083,-	1 122,-	1 161,-	1 202,-
2500	984,-	1 028,-	1 069,-	1 111,-	1 150,-	1 191,-	1 231,-
2600	1 009,-	1 048,-	1 091,-	1 133,-	1 177,-	1 220,-	1 262,-
2700	1 028,-	1 072,-	1 117,-	1 161,-	1 205,-	1 248,-	1 292,-
2800	1 055,-	1 097,-	1 143,-	1 185,-	1 231,-	1 276,-	1 323,-
2900	1 073,-	1 119,-	1 166,-	1 210,-	1 257,-	1 302,-	1 348,-
3000	1 208,-	1 254,-	1 299,-	1 345,-	1 390,-	1 436,-	1 481,-
3100	1 248,-	1 296,-	1 345,-	1 391,-	1 439,-	1 488,-	1 537,-
3200	1 289,-	1 338,-	1 388,-	1 437,-	1 489,-	1 540,-	1 590,-
3300	1 331,-	1 381,-	1 435,-	1 484,-	1 538,-	1 592,-	1 645,-
3400	1 372,-	1 423,-	1 479,-	1 530,-	1 586,-	1 642,-	1 699,-
3500	1 412,-	1 467,-	1 526,-	1 576,-	1 636,-	1 694,-	1 754,-
3600	1 453,-	1 509,-	1 571,-	1 622,-	1 685,-	1 747,-	1 809,-
3700	1 495,-	1 551,-	1 615,-	1 669,-	1 733,-	1 799,-	1 863,-
3800	1 536,-	1 594,-	1 662,-	1 716,-	1 782,-	1 849,-	1 915,-
3900	1 576,-	1 636,-	1 706,-	1 762,-	1 831,-	1 901,-	1 971,-
4000	1 617,-	1 678,-	1 751,-	1 809,-	1 880,-	1 953,-	2 026,-
4100	1 659,-	1 722,-	1 798,-	1 855,-	1 929,-	2 005,-	2 081,-
4200	1 699,-	1 764,-	1 842,-	1 901,-	1 978,-	2 055,-	2 132,-
4300	1 740,-	1 807,-	1 887,-	1 947,-	2 027,-	2 107,-	2 187,-
4400	1 781,-	1 849,-	1 932,-	1 994,-	2 076,-	2 159,-	2 243,-
4500	1 823,-	1 893,-	1 978,-	2 040,-	2 125,-	2 211,-	2 296,-
4600	1 863,-	1 935,-	2 023,-	2 086,-	2 174,-	2 263,-	2 350,-
4700	1 904,-	1 977,-	2 069,-	2 132,-	2 223,-	2 314,-	2 406,-
4800	1 946,-	2 020,-	2 114,-	2 179,-	2 272,-	2 366,-	2 460,-
4900	1 987,-	2 062,-	2 159,-	2 225,-	2 321,-	2 418,-	2 515,-
5000	2 027,-	2 106,-	2 204,-	2 271,-	2 371,-	2 470,-	2 569,-

# Central box extractor hood

**Note!** Prices of hoods do not include extra accessories, i.e. labyrinth filters, lighting and duct connectors - see p. 181-182

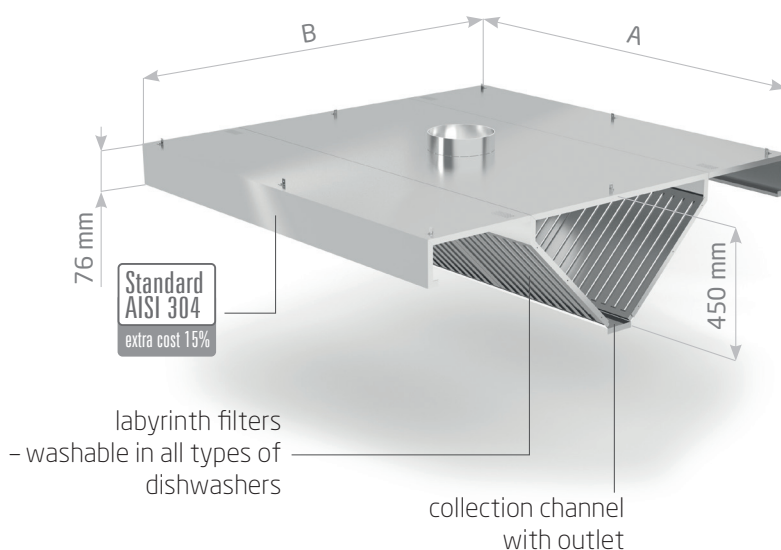


POL-720

A mm	price €						
	B = 1400 mm	B = 1500 mm	B = 1600 mm	B = 1800 mm	B = 2000 mm	B = 2200 mm	B = 2400 mm
1000	1 062,-	1 089,-	1 114,-	1 168,-	1 222,-	1 276,-	1 331,-
1100	1 097,-	1 125,-	1 154,-	1 208,-	1 265,-	1 323,-	1 379,-
1200	1 133,-	1 161,-	1 191,-	1 248,-	1 309,-	1 367,-	1 428,-
1300	1 171,-	1 199,-	1 229,-	1 288,-	1 348,-	1 408,-	1 467,-
1400	1 208,-	1 237,-	1 265,-	1 328,-	1 390,-	1 453,-	1 516,-
1500	1 243,-	1 274,-	1 306,-	1 367,-	1 430,-	1 493,-	1 555,-
1600	1 281,-	1 311,-	1 342,-	1 408,-	1 472,-	1 538,-	1 604,-
1700	1 311,-	1 345,-	1 379,-	1 447,-	1 516,-	1 585,-	1 653,-
1800	1 346,-	1 383,-	1 419,-	1 486,-	1 555,-	1 624,-	1 692,-
1900	1 381,-	1 419,-	1 456,-	1 527,-	1 599,-	1 670,-	1 741,-
2000	1 419,-	1 456,-	1 493,-	1 566,-	1 641,-	1 715,-	1 789,-
2100	1 457,-	1 493,-	1 530,-	1 607,-	1 684,-	1 761,-	1 838,-
2200	1 492,-	1 530,-	1 566,-	1 634,-	1 726,-	1 806,-	1 886,-
2300	1 530,-	1 566,-	1 604,-	1 687,-	1 769,-	1 852,-	1 935,-
2400	1 566,-	1 604,-	1 641,-	1 726,-	1 813,-	1 897,-	1 982,-
2500	1 604,-	1 641,-	1 678,-	1 767,-	1 855,-	1 943,-	2 031,-
2600	1 642,-	1 678,-	1 715,-	1 806,-	1 897,-	1 989,-	2 081,-
2700	1 678,-	1 715,-	1 753,-	1 847,-	1 940,-	2 034,-	2 128,-
2800	1 715,-	1 753,-	1 789,-	1 886,-	1 982,-	2 081,-	2 177,-
2900	1 753,-	1 789,-	1 826,-	1 926,-	2 026,-	2 125,-	2 225,-
3000	1 886,-	1 922,-	1 960,-	2 059,-	2 159,-	2 258,-	2 358,-
3100	1 945,-	1 984,-	2 023,-	2 127,-	2 230,-	2 334,-	2 438,-
3200	2 003,-	2 044,-	2 086,-	2 193,-	2 302,-	2 410,-	2 518,-
3300	2 062,-	2 106,-	2 149,-	2 260,-	2 373,-	2 485,-	2 596,-
3400	2 121,-	2 167,-	2 214,-	2 328,-	2 445,-	2 561,-	2 676,-
3500	2 180,-	2 229,-	2 277,-	2 394,-	2 516,-	2 637,-	2 756,-
3600	2 240,-	2 291,-	2 340,-	2 462,-	2 588,-	2 712,-	2 834,-
3700	2 299,-	2 351,-	2 403,-	2 529,-	2 659,-	2 788,-	2 914,-
3800	2 359,-	2 413,-	2 466,-	2 596,-	2 731,-	2 864,-	2 993,-
3900	2 418,-	2 474,-	2 530,-	2 663,-	2 802,-	2 939,-	3 072,-
4000	2 477,-	2 534,-	2 593,-	2 731,-	2 873,-	3 015,-	3 152,-
4100	2 536,-	2 596,-	2 656,-	2 798,-	2 944,-	3 091,-	3 231,-
4200	2 595,-	2 658,-	2 721,-	2 865,-	3 015,-	3 166,-	3 311,-
4300	2 654,-	2 719,-	2 784,-	2 931,-	3 086,-	3 242,-	3 390,-
4400	2 712,-	2 780,-	2 847,-	3 000,-	3 158,-	3 318,-	3 469,-
4500	2 773,-	2 841,-	2 910,-	3 065,-	3 229,-	3 393,-	3 549,-
4600	2 831,-	2 903,-	2 974,-	3 133,-	3 301,-	3 469,-	3 629,-
4700	2 890,-	2 963,-	3 037,-	3 200,-	3 372,-	3 545,-	3 707,-
4800	2 949,-	3 025,-	3 100,-	3 267,-	3 444,-	3 620,-	3 787,-
4900	3 004,-	3 086,-	3 163,-	3 333,-	3 515,-	3 696,-	3 865,-
5000	3 067,-	3 147,-	3 227,-	3 402,-	3 587,-	3 772,-	3 945,-

# Central angled extractor hood

**Note!** Prices of hoods do not include extra accessories, i.e. labyrinth filters, lighting and duct connectors - see p. 181-182

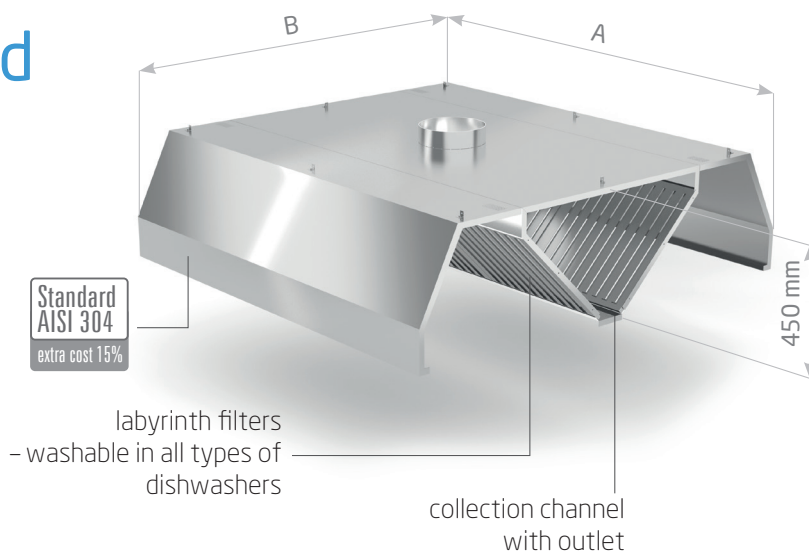


## POL-750

A mm	price €						
	B = 1400 mm	B = 1500 mm	B = 1600 mm	B = 1800 mm	B = 2000 mm	B = 2200 mm	B = 2400 mm
1000	967,-	992,-	1 017,-	1 072,-	1 125,-	1 180,-	1 234,-
1100	989,-	1 017,-	1 045,-	1 103,-	1 160,-	1 216,-	1 274,-
1200	1 017,-	1 045,-	1 073,-	1 133,-	1 191,-	1 248,-	1 306,-
1300	1 045,-	1 073,-	1 103,-	1 161,-	1 222,-	1 283,-	1 342,-
1400	1 069,-	1 100,-	1 132,-	1 194,-	1 257,-	1 320,-	1 383,-
1500	1 097,-	1 128,-	1 160,-	1 224,-	1 288,-	1 351,-	1 414,-
1600	1 125,-	1 157,-	1 188,-	1 254,-	1 320,-	1 384,-	1 450,-
1700	1 149,-	1 182,-	1 216,-	1 285,-	1 353,-	1 422,-	1 489,-
1800	1 175,-	1 210,-	1 246,-	1 317,-	1 384,-	1 453,-	1 522,-
1900	1 206,-	1 240,-	1 274,-	1 345,-	1 419,-	1 493,-	1 566,-
2000	1 229,-	1 265,-	1 302,-	1 376,-	1 450,-	1 524,-	1 599,-
2100	1 251,-	1 290,-	1 331,-	1 408,-	1 481,-	1 555,-	1 629,-
2200	1 274,-	1 317,-	1 359,-	1 439,-	1 513,-	1 587,-	1 662,-
2300	1 296,-	1 342,-	1 388,-	1 470,-	1 544,-	1 618,-	1 692,-
2400	1 320,-	1 367,-	1 416,-	1 502,-	1 576,-	1 650,-	1 725,-
2500	1 342,-	1 394,-	1 444,-	1 533,-	1 607,-	1 681,-	1 754,-
2600	1 365,-	1 419,-	1 472,-	1 565,-	1 639,-	1 712,-	1 786,-
2700	1 388,-	1 444,-	1 502,-	1 596,-	1 670,-	1 743,-	1 817,-
2800	1 409,-	1 470,-	1 530,-	1 627,-	1 701,-	1 775,-	1 849,-
2900	1 433,-	1 496,-	1 558,-	1 659,-	1 732,-	1 806,-	1 880,-
3000	1 566,-	1 629,-	1 691,-	1 792,-	1 866,-	1 939,-	2 013,-
3100	1 627,-	1 691,-	1 754,-	1 858,-	1 938,-	2 015,-	2 093,-
3200	1 684,-	1 751,-	1 819,-	1 926,-	2 008,-	2 090,-	2 172,-
3300	1 744,-	1 813,-	1 882,-	1 992,-	2 079,-	2 166,-	2 251,-
3400	1 803,-	1 875,-	1 945,-	2 059,-	2 151,-	2 242,-	2 331,-
3500	1 862,-	1 935,-	2 009,-	2 127,-	2 222,-	2 317,-	2 411,-
3600	1 921,-	1 996,-	2 072,-	2 194,-	2 293,-	2 393,-	2 490,-
3700	1 981,-	2 058,-	2 135,-	2 261,-	2 365,-	2 470,-	2 569,-
3800	2 038,-	2 118,-	2 198,-	2 328,-	2 436,-	2 544,-	2 648,-
3900	2 099,-	2 180,-	2 263,-	2 396,-	2 508,-	2 620,-	2 728,-
4000	2 158,-	2 242,-	2 326,-	2 462,-	2 579,-	2 696,-	2 808,-
4100	2 216,-	2 302,-	2 389,-	2 529,-	2 651,-	2 771,-	2 886,-
4200	2 275,-	2 364,-	2 452,-	2 596,-	2 722,-	2 847,-	2 966,-
4300	2 334,-	2 425,-	2 515,-	2 663,-	2 794,-	2 923,-	3 046,-
4400	2 393,-	2 487,-	2 579,-	2 731,-	2 865,-	2 998,-	3 124,-
4500	2 453,-	2 547,-	2 642,-	2 798,-	2 937,-	3 074,-	3 204,-
4600	2 512,-	2 609,-	2 705,-	2 865,-	3 007,-	3 149,-	3 283,-
4700	2 571,-	2 670,-	2 768,-	2 932,-	3 078,-	3 225,-	3 362,-
4800	2 631,-	2 732,-	2 833,-	3 000,-	3 149,-	3 301,-	3 442,-
4900	2 689,-	2 792,-	2 896,-	3 067,-	3 221,-	3 376,-	3 521,-
5000	2 749,-	2 854,-	2 959,-	3 133,-	3 292,-	3 452,-	3 601,-

# Central trapezoid extractor hood

**Note!** Prices of hoods do not include extra accessories, i.e. labyrinth filters, lighting and duct connectors - see p. 181-182



POL-760

A mm	price €				
	B = 1600 mm	B = 1800 mm	B = 2000 mm	B = 2200 mm	B = 2400 mm
1000	1 066,-	1 119,-	1 177,-	1 234,-	1 290,-
1100	1 100,-	1 160,-	1 213,-	1 274,-	1 334,-
1200	1 133,-	1 194,-	1 254,-	1 313,-	1 373,-
1300	1 168,-	1 231,-	1 295,-	1 353,-	1 412,-
1400	1 205,-	1 268,-	1 334,-	1 394,-	1 453,-
1500	1 240,-	1 306,-	1 372,-	1 433,-	1 496,-
1600	1 276,-	1 342,-	1 411,-	1 475,-	1 541,-
1700	1 311,-	1 379,-	1 447,-	1 519,-	1 590,-
1800	1 345,-	1 416,-	1 486,-	1 558,-	1 629,-
1900	1 383,-	1 453,-	1 524,-	1 599,-	1 673,-
2000	1 416,-	1 489,-	1 565,-	1 639,-	1 713,-
2100	1 450,-	1 527,-	1 604,-	1 678,-	1 753,-
2200	1 485,-	1 565,-	1 641,-	1 720,-	1 800,-
2300	1 519,-	1 601,-	1 681,-	1 761,-	1 840,-
2400	1 558,-	1 639,-	1 718,-	1 800,-	1 883,-
2500	1 593,-	1 676,-	1 758,-	1 841,-	1 924,-
2600	1 627,-	1 712,-	1 795,-	1 880,-	1 966,-
2700	1 662,-	1 747,-	1 835,-	1 919,-	2 006,-
2800	1 698,-	1 786,-	1 875,-	1 964,-	2 052,-
2900	1 732,-	1 824,-	1 914,-	2 006,-	2 096,-
3000	1 866,-	1 956,-	2 048,-	2 139,-	2 230,-
3100	1 929,-	2 023,-	2 120,-	2 215,-	2 309,-
3200	1 992,-	2 090,-	2 191,-	2 291,-	2 389,-
3300	2 055,-	2 158,-	2 263,-	2 366,-	2 470,-
3400	2 118,-	2 225,-	2 334,-	2 442,-	2 550,-
3500	2 183,-	2 292,-	2 406,-	2 518,-	2 624,-
3600	2 246,-	2 359,-	2 476,-	2 592,-	2 710,-
3700	2 309,-	2 427,-	2 547,-	2 669,-	2 789,-
3800	2 372,-	2 494,-	2 619,-	2 745,-	2 869,-
3900	2 436,-	2 561,-	2 690,-	2 819,-	2 949,-
4000	2 499,-	2 627,-	2 761,-	2 895,-	3 029,-
4100	2 562,-	2 696,-	2 833,-	2 972,-	3 109,-
4200	2 626,-	2 761,-	2 904,-	3 046,-	3 189,-
4300	2 689,-	2 829,-	2 976,-	3 121,-	3 269,-
4400	2 753,-	2 896,-	3 047,-	3 199,-	3 348,-
4500	2 816,-	2 963,-	3 117,-	3 273,-	3 428,-
4600	2 879,-	3 030,-	3 190,-	3 348,-	3 508,-
4700	2 942,-	3 098,-	3 262,-	3 424,-	3 588,-
4800	3 005,-	3 163,-	3 332,-	3 500,-	3 668,-
4900	3 070,-	3 231,-	3 403,-	3 575,-	3 748,-
5000	3 133,-	3 299,-	3 475,-	3 651,-	3 828,-

# Extraction and air input hoods

## Intended use:

Extraction and air input hoods are designed to be used in closed rooms with central ventilation systems. They capture and remove heat, steam and contaminants (mainly grease particles), while providing an adequate balance of supply and exhaust air. The exhaust air flows through the filters (labyrinth filters). Grease particles and contaminants settle on the labyrinth filters and are carried off to the collection channel. An outlet at the collection channel allows the discharge of grease and contaminants.

## Three models

- **I** - induction model – fresh air is blown on labyrinth filters
- **K** - compensating model – fresh air is blown into the kitchen through the perforated front wall of the hood
- **KI** - compensating induction model – blown fresh air is directed both on labyrinth filters and into the kitchen

## Each hood model is available in two options:

- wall mounted
- central

## Execution:

- the hoods are manufactured from top grade stainless steel
- extraction and air input hoods size A > 2600 mm are made as a joint unit (fitted together) with two or more end modules
- the hoods are provided with a system of holes and hanging fixtures for mounting
- labyrinth filters, duct connectors and lighting are available as extra hood accessories
- the hoods are not equipped with fans
- the hood should be connected to a fan or a ventilation system in the building

## Extra accessories for extraction and air input hoods:

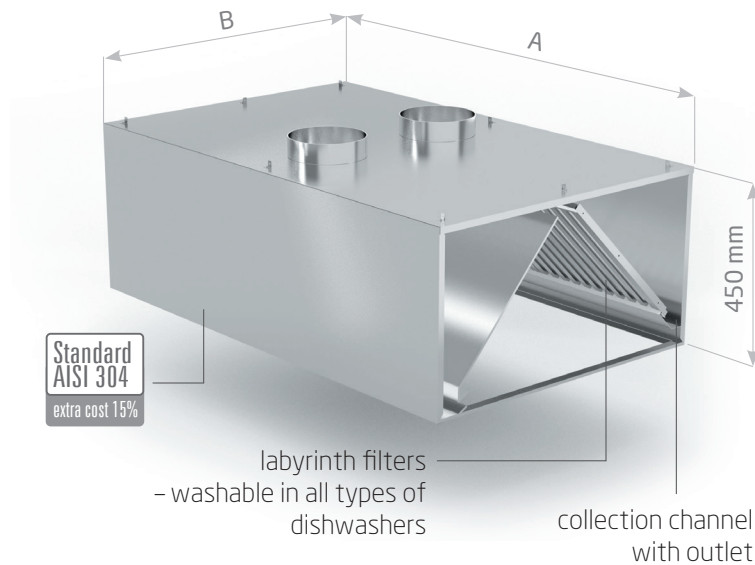
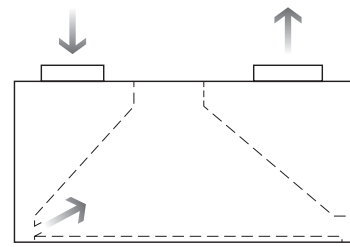
- **labyrinth filters**, reusable, washable in all types of dishwashers – for an extra cost, catalogue p. 181
- **hood lighting**: fluorescent lamps with IP65 protection rating – for an extra cost, catalogue p. 182
- **round or rectangular duct connectors** – for an extra cost, catalogue p. 182  
Upon placing the order, please specify the type, size and number of duct connectors. The location of duct connectors in line with the design standard of Polgast - catalogue p. 184-185
- **AISI 304 standard** – for an extra cost of **15%**

## How to care for hoods?

- clean labyrinth filters on a regular basis
- labyrinth filters should be properly mounted to allow the condensate to flow into the hood
- systematically empty the collection channel from the condensate, preferably every few days
- cleaning and maintenance of stainless steel furniture - catalogue p. 7

# Wall mounted induction hood

**Note!** Prices of hoods do not include extra accessories, i.e. labyrinth filters, lighting and duct connectors - see p. 181-182



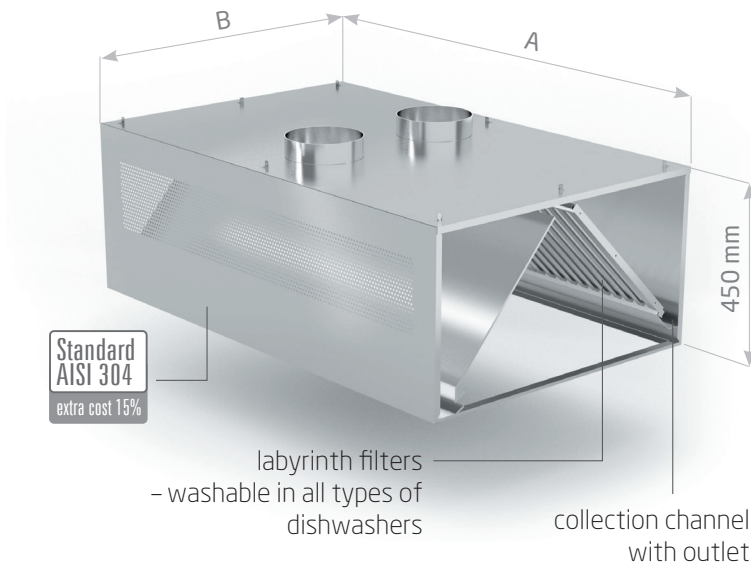
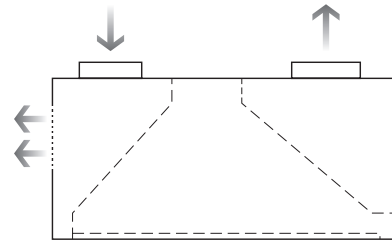
## POL-770-I

A mm	price €					
	B = 900 mm	B = 1000 mm	B = 1100 mm	B = 1200 mm	B = 1300 mm	B = 1400 mm
1200	1 295,-	1 332,-	1 366,-	1 404,-	1 439,-	1 477,-
1300	1 342,-	1 379,-	1 416,-	1 451,-	1 489,-	1 526,-
1400	1 386,-	1 422,-	1 464,-	1 502,-	1 538,-	1 576,-
1500	1 433,-	1 470,-	1 510,-	1 548,-	1 589,-	1 629,-
1600	1 477,-	1 517,-	1 558,-	1 599,-	1 639,-	1 678,-
1700	1 523,-	1 564,-	1 604,-	1 649,-	1 688,-	1 729,-
1800	1 566,-	1 611,-	1 652,-	1 695,-	1 739,-	1 779,-
1900	1 611,-	1 657,-	1 701,-	1 746,-	1 789,-	1 833,-
2000	1 657,-	1 701,-	1 748,-	1 792,-	1 837,-	1 882,-
2100	1 701,-	1 748,-	1 795,-	1 842,-	1 886,-	1 932,-
2200	1 748,-	1 795,-	1 842,-	1 889,-	1 936,-	1 982,-
2300	1 792,-	1 842,-	1 889,-	1 939,-	1 985,-	2 036,-
2400	1 838,-	1 889,-	1 936,-	1 985,-	2 036,-	2 086,-
2500	1 882,-	1 932,-	1 985,-	2 036,-	2 086,-	2 137,-
2600	1 929,-	1 980,-	2 033,-	2 082,-	2 137,-	2 186,-

Extraction and air input hoods can be made with dimension A > 2600 mm. In such a case, the hood will be assembled from two or more smaller modules. The price of the hood will be the sum of the prices of individual modules.

# Wall mounted compensatory hood

**Note!** Prices of hoods do not include extra accessories, i.e. labyrinth filters, lighting and duct connectors - see p. 181-182



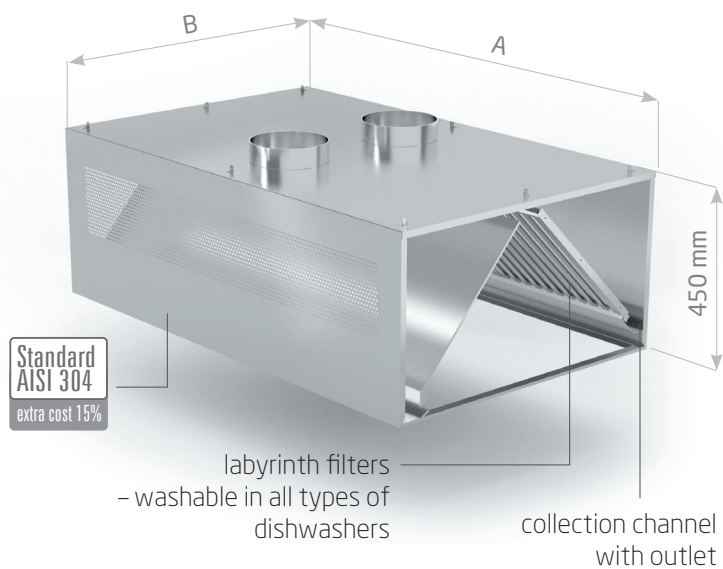
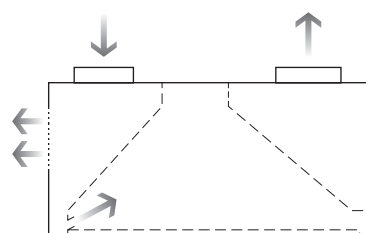
## POL-770-K

A mm	price €					
	B = 900 mm	B = 1000 mm	B = 1100 mm	B = 1200 mm	B = 1300 mm	B = 1400 mm
1200	1 395,-	1 435,-	1 472,-	1 510,-	1 551,-	1 589,-
1300	1 444,-	1 482,-	1 523,-	1 564,-	1 604,-	1 645,-
1400	1 492,-	1 533,-	1 576,-	1 617,-	1 657,-	1 698,-
1500	1 541,-	1 582,-	1 627,-	1 670,-	1 711,-	1 754,-
1600	1 589,-	1 632,-	1 677,-	1 720,-	1 764,-	1 807,-
1700	1 639,-	1 683,-	1 729,-	1 774,-	1 817,-	1 863,-
1800	1 688,-	1 733,-	1 779,-	1 826,-	1 870,-	1 917,-
1900	1 736,-	1 782,-	1 830,-	1 876,-	1 926,-	1 973,-
2000	1 785,-	1 833,-	1 882,-	1 929,-	1 980,-	2 027,-
2100	1 833,-	1 882,-	1 932,-	1 982,-	2 033,-	2 082,-
2200	1 882,-	1 932,-	1 982,-	2 036,-	2 086,-	2 137,-
2300	1 929,-	1 982,-	2 036,-	2 086,-	2 139,-	2 193,-
2400	1 980,-	2 033,-	2 086,-	2 139,-	2 193,-	2 246,-
2500	2 029,-	2 082,-	2 137,-	2 193,-	2 246,-	2 302,-
2600	2 076,-	2 132,-	2 188,-	2 242,-	2 298,-	2 355,-

Extraction and air input hoods can be made with dimension A > 2600 mm. In such a case, the hood will be assembled from two or more smaller modules. The price of the hood will be the sum of the prices of individual modules.

# Wall mounted compensatory- -induction hood

**Note!** Prices of hoods do not include extra accessories, i.e. labyrinth filters, lighting and duct connectors - see p. 181-182



POL-770-KI

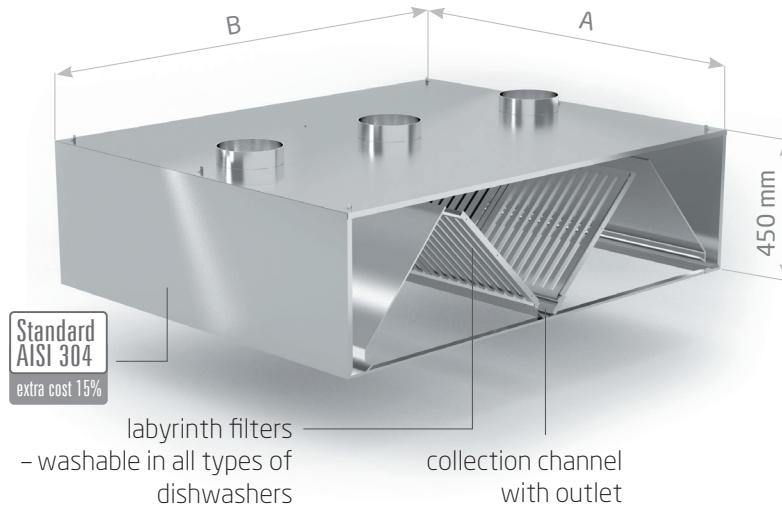
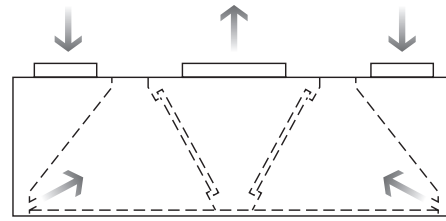
A mm	price €					
	B = 900 mm	B = 1000 mm	B = 1100 mm	B = 1200 mm	B = 1300 mm	B = 1400 mm
1200	1 395,-	1 435,-	1 472,-	1 510,-	1 551,-	1 589,-
1300	1 444,-	1 482,-	1 523,-	1 564,-	1 604,-	1 645,-
1400	1 492,-	1 533,-	1 576,-	1 617,-	1 657,-	1 698,-
1500	1 541,-	1 582,-	1 627,-	1 670,-	1 711,-	1 754,-
1600	1 589,-	1 632,-	1 677,-	1 720,-	1 764,-	1 807,-
1700	1 639,-	1 683,-	1 729,-	1 774,-	1 817,-	1 863,-
1800	1 688,-	1 733,-	1 779,-	1 826,-	1 870,-	1 917,-
1900	1 736,-	1 782,-	1 830,-	1 876,-	1 926,-	1 973,-
2000	1 785,-	1 833,-	1 882,-	1 929,-	1 980,-	2 027,-
2100	1 833,-	1 882,-	1 932,-	1 982,-	2 033,-	2 082,-
2200	1 882,-	1 932,-	1 982,-	2 036,-	2 086,-	2 137,-
2300	1 929,-	1 982,-	2 036,-	2 086,-	2 139,-	2 193,-
2400	1 980,-	2 033,-	2 086,-	2 139,-	2 193,-	2 246,-
2500	2 029,-	2 082,-	2 137,-	2 193,-	2 246,-	2 302,-
2600	2 076,-	2 132,-	2 188,-	2 242,-	2 298,-	2 355,-

Extraction and air input hoods can be made with dimension A > 2600 mm. In such a case, the hood will be assembled from two or more smaller modules. The price of the hood will be the sum of the prices of individual modules.



# Central induction hood

**Note!** Prices of hoods do not include extra accessories, i.e. labyrinth filters, lighting and duct connectors - see p. 181-182



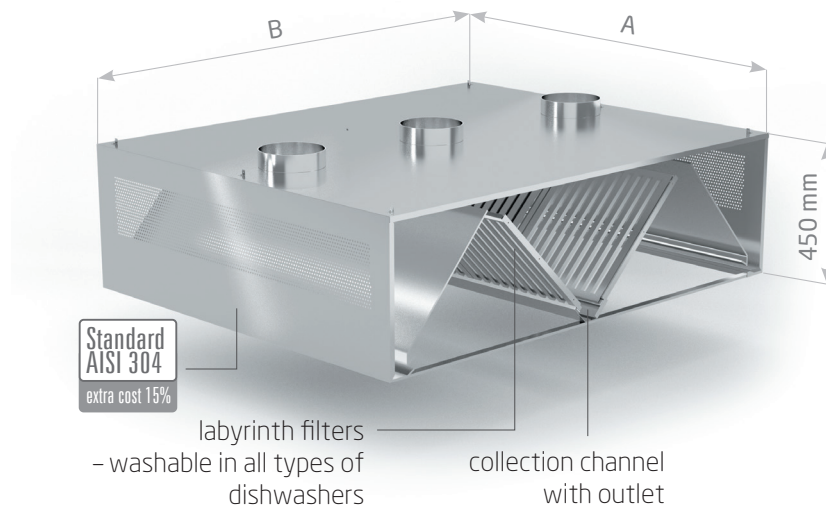
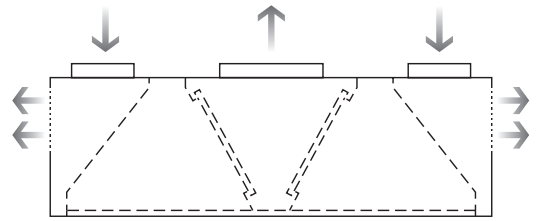
## POL-780-I

A mm	price €			
	B = 1800 mm	B = 2000 mm	B = 2200 mm	B = 2400 mm
1200	2 258,-	2 335,-	2 418,-	2 499,-
1300	2 327,-	2 411,-	2 495,-	2 576,-
1400	2 399,-	2 483,-	2 571,-	2 655,-
1500	2 470,-	2 558,-	2 647,-	2 733,-
1600	2 540,-	2 630,-	2 721,-	2 815,-
1700	2 611,-	2 705,-	2 799,-	2 892,-
1800	2 683,-	2 777,-	2 873,-	2 972,-
1900	2 752,-	2 852,-	2 949,-	3 050,-
2000	2 823,-	2 924,-	3 028,-	3 127,-
2100	2 896,-	3 000,-	3 102,-	3 206,-
2200	2 965,-	3 071,-	3 178,-	3 283,-
2300	3 037,-	3 147,-	3 252,-	3 362,-
2400	3 107,-	3 218,-	3 330,-	3 441,-
2500	3 178,-	3 294,-	3 406,-	3 518,-
2600	3 249,-	3 365,-	3 480,-	3 596,-

Extraction and air input hoods can be made with dimension  $A > 2600$  mm. In such a case, the hood will be assembled from two or more smaller, non-through modules. The price of the hood will be the sum of the prices of individual modules.

# Central compensatory hood

**Note!** Prices of hoods do not include extra accessories, i.e. labyrinth filters, lighting and duct connectors - see p. 181-182



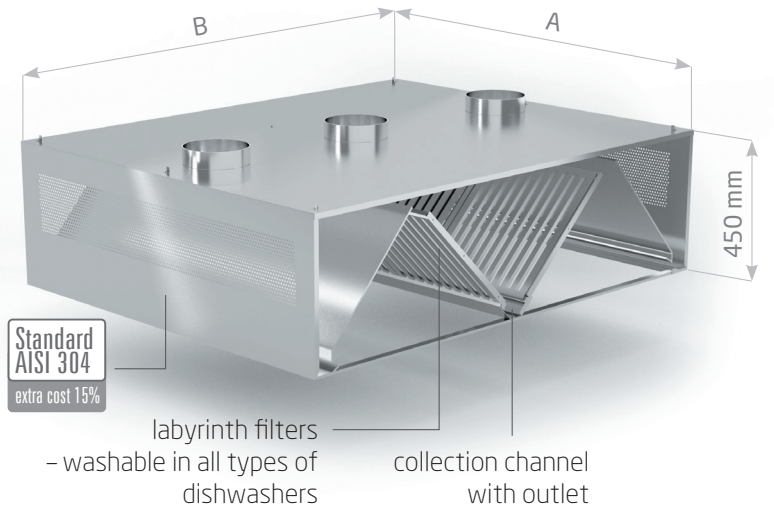
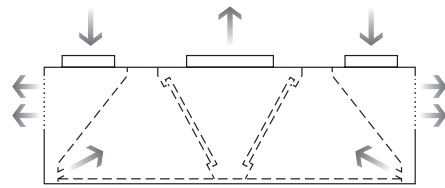
## POL-780-K

A mm	price €			
	B = 1800 mm	B = 2000 mm	B = 2200 mm	B = 2400 mm
1200	2 445,-	2 534,-	2 622,-	2 709,-
1300	2 521,-	2 612,-	2 702,-	2 793,-
1400	2 599,-	2 693,-	2 784,-	2 878,-
1500	2 674,-	2 772,-	2 866,-	2 962,-
1600	2 752,-	2 849,-	2 950,-	3 046,-
1700	2 828,-	2 930,-	3 031,-	3 135,-
1800	2 905,-	3 009,-	3 115,-	3 219,-
1900	2 983,-	3 090,-	3 196,-	3 303,-
2000	3 059,-	3 168,-	3 278,-	3 387,-
2100	3 137,-	3 250,-	3 359,-	3 471,-
2200	3 212,-	3 328,-	3 443,-	3 556,-
2300	3 290,-	3 407,-	3 524,-	3 641,-
2400	3 369,-	3 488,-	3 607,-	3 729,-
2500	3 443,-	3 566,-	3 691,-	3 812,-
2600	3 521,-	3 648,-	3 772,-	3 897,-

Extraction and air input hoods can be made with dimension  $A > 2600$  mm. In such a case, the hood will be assembled from two or more smaller, non-through modules. The price of the hood will be the sum of the prices of individual modules.

# Central compensatory- -induction hood

**Note!** Prices of hoods do not include extra accessories, i.e. labyrinth filters, lighting and duct connectors - see p. 181-182



## POL-780-KI

A mm	price €			
	B = 1800 mm	B = 2000 mm	B = 2200 mm	B = 2400 mm
1200	2 445,-	2 534,-	2 622,-	2 709,-
1300	2 521,-	2 612,-	2 702,-	2 793,-
1400	2 599,-	2 693,-	2 784,-	2 878,-
1500	2 674,-	2 772,-	2 866,-	2 962,-
1600	2 752,-	2 849,-	2 950,-	3 046,-
1700	2 828,-	2 930,-	3 031,-	3 135,-
1800	2 905,-	3 009,-	3 115,-	3 219,-
1900	2 983,-	3 090,-	3 196,-	3 303,-
2000	3 059,-	3 168,-	3 278,-	3 387,-
2100	3 137,-	3 250,-	3 359,-	3 471,-
2200	3 212,-	3 328,-	3 443,-	3 556,-
2300	3 290,-	3 407,-	3 524,-	3 641,-
2400	3 369,-	3 488,-	3 607,-	3 729,-
2500	3 443,-	3 566,-	3 691,-	3 812,-
2600	3 521,-	3 648,-	3 772,-	3 897,-

Extraction and air input hoods can be made with dimension A > 2600 mm. In such a case, the hood will be assembled from two or more smaller, non-through modules. The price of the hood will be the sum of the prices of individual modules.

# Condensation hood

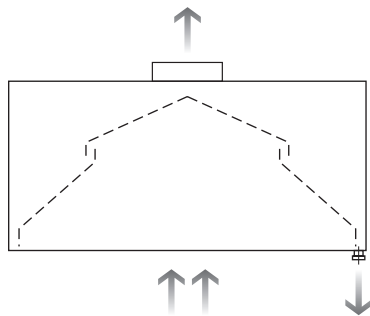
## Intended use:

A condensation hood captures and removes steam and heat from above any equipment that does not produce grease, such as dishwashers and boiling pans. The condensate accumulates in the hood collection channel, thus preventing the dripping of water. An outlet at the collection channel allows the discharge of the condensate.

## Execution:

- the hood is manufactured from top grade stainless steel
- the hood is provided with a system of holes and hanging fixtures for mounting
- duct connectors are available as extra hood accessories
- the hood is not equipped with a fan
- the hood should be connected to a fan or a ventilation system in the building

**Note!** Prices of hood do not include extra accessories, i.e. duct connectors - see p. 182

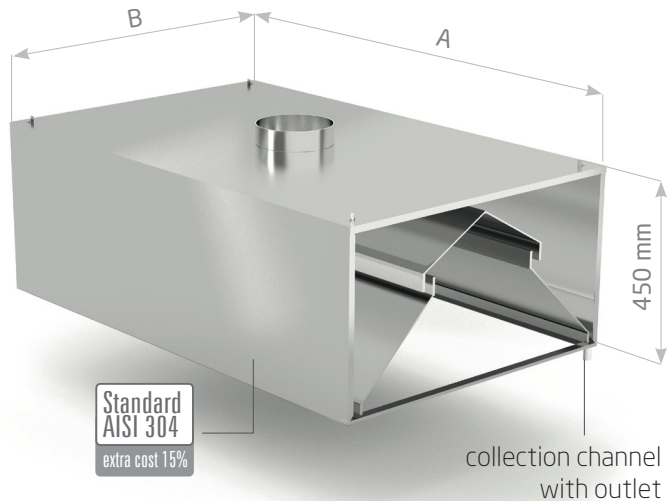


## Extra accessories for a condensation hood:

- **round or rectangular duct connectors** – for an extra cost, catalogue p. 182  
Upon placing the order, please specify the type, size and number of duct connectors. The location of duct connectors in line with the design standard of Polgast - catalogue p. 185
- **AISI 304 standard** – for an extra cost of **15%**

## How to care for a condensation hood?

- empty the collection channel from the condensate using a hose, directly to the sewage system
- cleaning and maintenance of stainless steel furniture - catalogue p. 7



## POL-790

A mm	price €				
	B = 1000 mm	B = 1100 mm	B = 1200 mm	B = 1300 mm	B = 1400 mm
1000	852,-	885,-	919,-	954,-	988,-
1100	883,-	916,-	950,-	985,-	1 019,-
1200	912,-	950,-	988,-	1 026,-	1 063,-
1300	943,-	981,-	1 019,-	1 056,-	1 094,-
1400	971,-	1 006,-	1 040,-	1 073,-	1 108,-
1500	1 002,-	1 040,-	1 077,-	1 115,-	1 153,-
1600	1 033,-	1 070,-	1 108,-	1 145,-	1 184,-
1700	1 063,-	1 105,-	1 146,-	1 187,-	1 227,-
1800	1 094,-	1 135,-	1 177,-	1 217,-	1 258,-
1900	1 125,-	1 170,-	1 213,-	1 260,-	1 303,-
2000	1 157,-	1 201,-	1 246,-	1 290,-	1 334,-
2100	1 187,-	1 230,-	1 275,-	1 320,-	1 365,-
2200	1 237,-	1 286,-	1 306,-	1 387,-	1 435,-
2300	1 289,-	1 339,-	1 391,-	1 442,-	1 492,-
2400	1 339,-	1 395,-	1 450,-	1 505,-	1 561,-
2500	1 391,-	1 450,-	1 509,-	1 566,-	1 625,-
2600	1 443,-	1 505,-	1 565,-	1 627,-	1 688,-

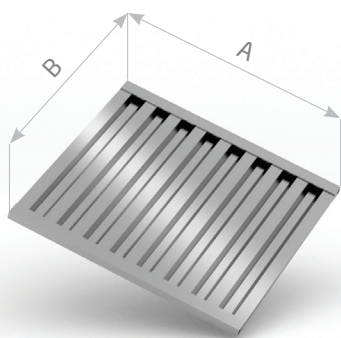
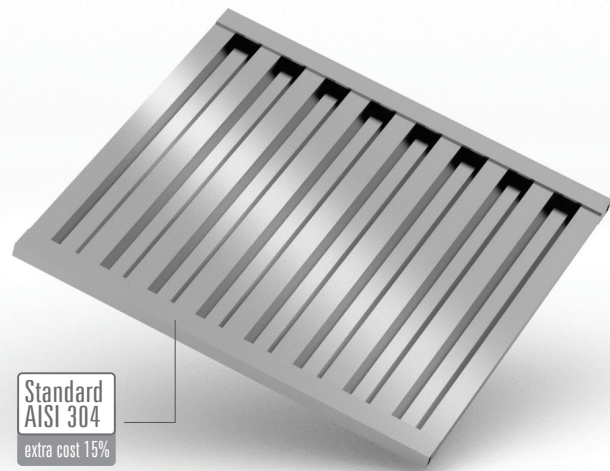
# Labyrinth filters for extractors

**Purpose:** Labyrinth filters are constructed in the form of a grate, which enables efficient collection of pollutants (mainly grease particles) generated during cooking, frying and baking in commercial kitchens.

**Method of operation:** The air stream flows through the labyrinth filters. Grease and dirt particles settle on the grate and are discharged into the collection channel of the extractor hood.

**Efficiency:** the amount of precipitated grease (%) in the evacuated air ranges between 78% and 82% depending on the velocity of air flow.

**NOTE:** Labyrinth filters are REUSABLE - their dimensions 500x500 and 300x5000 allow cleaning in all types of dishwashers.



price for 1 labyrinth filters

A mm	B = 500 mm	
	code	Preis €
300	793050	63,-
500	795050	77,-

## Labyrinth filters for extractors

length of extractor mm	price of complete unit €	
	for wall mounted extractor hoods	for central extractor hoods
1000	108,-	214,-
1100	113,-	227,-
1200	113,-	227,-
1300	151,-	304,-
1400	158,-	316,-
1500	164,-	329,-
1600	171,-	340,-
1700	202,-	405,-
1800	209,-	417,-
1900	214,-	430,-
2000	221,-	442,-
2100	227,-	455,-
2200	260,-	518,-
2300	265,-	531,-
2400	272,-	543,-
2500	277,-	556,-
2600	284,-	568,-
2700	316,-	633,-
2800	323,-	644,-
2900	329,-	657,-
3000	329,-	657,-
3100	329,-	657,-
3200	340,-	682,-
3300	340,-	682,-
3400	405,-	811,-
3500	405,-	811,-
3600	417,-	835,-
3700	417,-	835,-
3800	430,-	860,-
3900	430,-	860,-
4000	442,-	885,-
4100	442,-	885,-
4200	455,-	909,-
4300	455,-	909,-
4400	518,-	1 038,-
4500	518,-	1 038,-
4600	531,-	1 063,-
4700	531,-	1 063,-
4800	543,-	1 087,-
4900	543,-	1 087,-
5000	556,-	1 112,-

# Hood lighting - fluorescent lamps

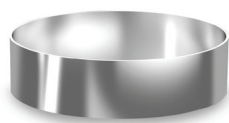
- IP65 fluorescent lamp

length of extractor mm	for wall mounted extractor hoods extractor hood: POL-710, POL-730, POL-740 extraction and air input hoods: POL-770-I, POL-770-K, POL-770-KI		for central extractor hoods extractor hood: POL-720, POL-750, POL-760 extraction and air input hoods: POL-780-I, POL-780-K, POL-780-KI	
	power	price of complete unit €	power	price of complete unit €
1000-1700	18 W	176,-	2x 18 W	315,-
1800-2600	2x 18 W	246,-	4x 18 W	524,-
2700-3500	2x 18 W	246,-	4x 18 W	524,-
3600-5000	4x 18 W	454,-	8x 18 W	807,-

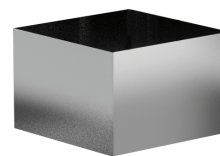
# Hood lighting - LED

length of extractor mm	for wall mounted extractor hoods extractor hood: POL-710, POL-730, POL-740 for B>=700 mm hood POL-740 for B>=900 mm		for central extractor hoods Extractor hood: POL-720, POL-750, POL-760	
	number of light sources	price of complete unit €	number of light sources	price of complete unit €
1000-1400	2	164,-	4	315,-
1500-1900	3	246,-	6	491,-
2000-2500	4	328,-	8	630,-
2600-2800	4	328,-	8	630,-
2900-3800	6	491,-	12	945,-
3900-5000	8	655,-	16	1 248,-

# Kitchen extractor duct



Standard  
AISI 304  
extra cost 15%



Standard  
AISI 304  
extra cost 15%

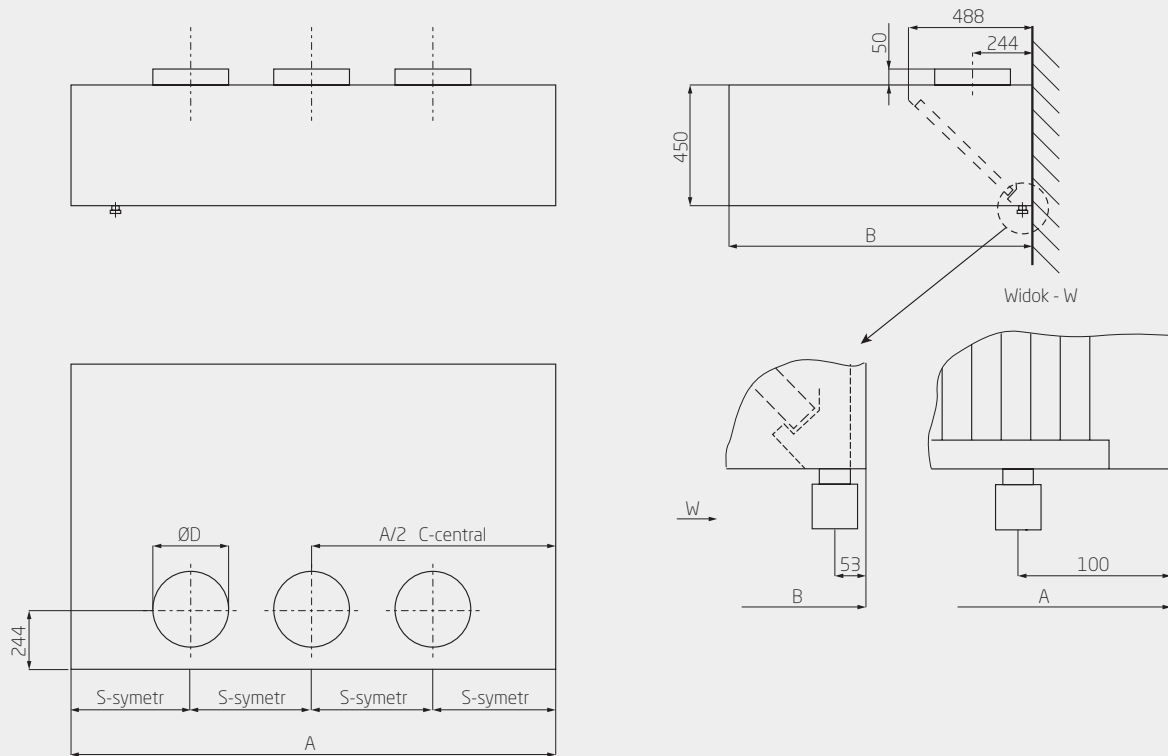
type	round duct		rectangular duct	
	dimensions	price €	dimensions	price €
	ø150 mm	46,-	200 x 200 mm	59,-
	ø200 mm	59,-	315 x 315 mm	66,-
	ø250 mm	76,-	400 x 400 mm	73,-
	ø315 mm	101,-	400 x 200 mm	66,-

**Note!** Upon placing the order, please specify the type, size and number of duct connectors.

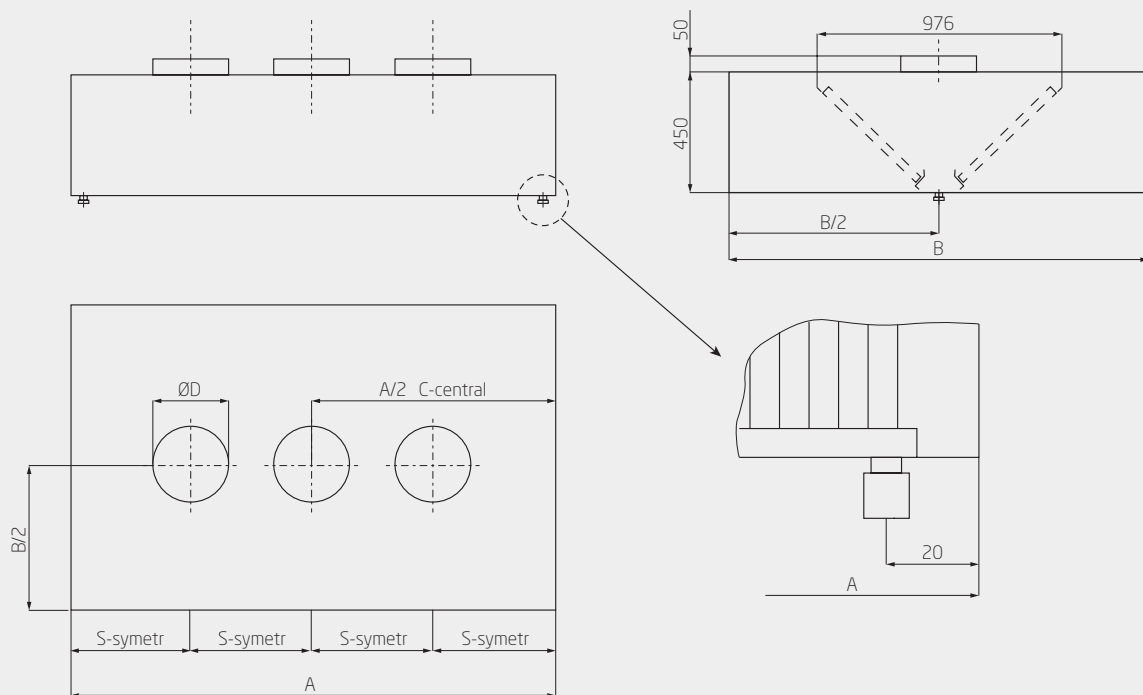
The location of duct connectors in line with the design standard of Polgast - see page 183-185

# Hood dimensions

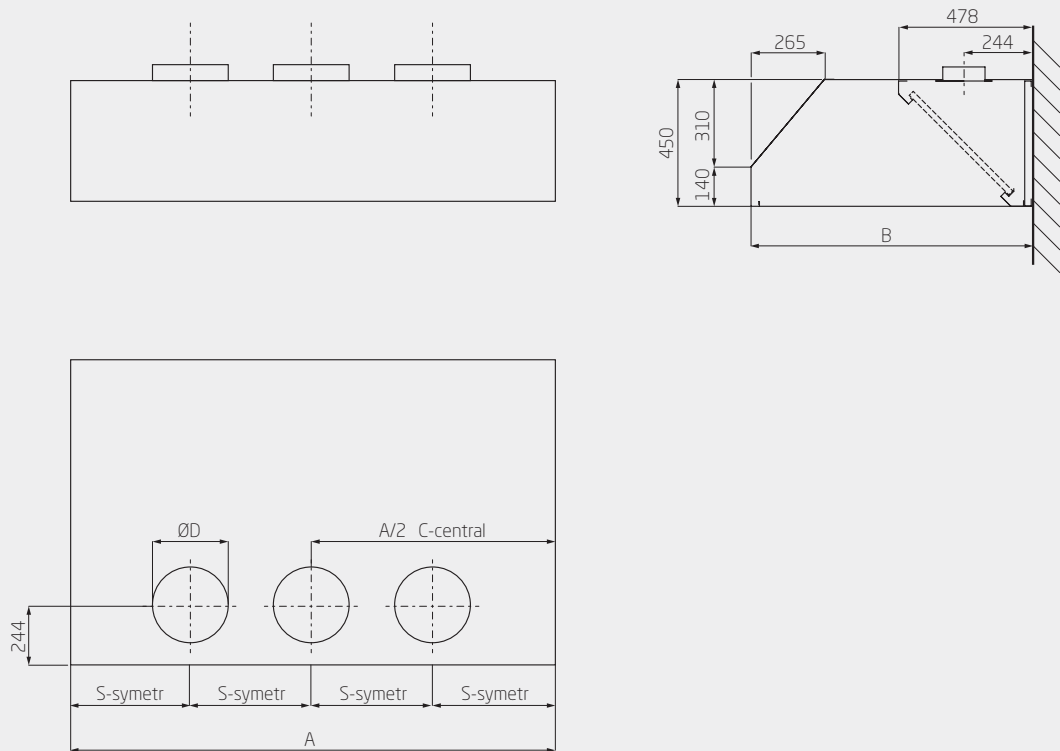
## Wall mounted extractor hood



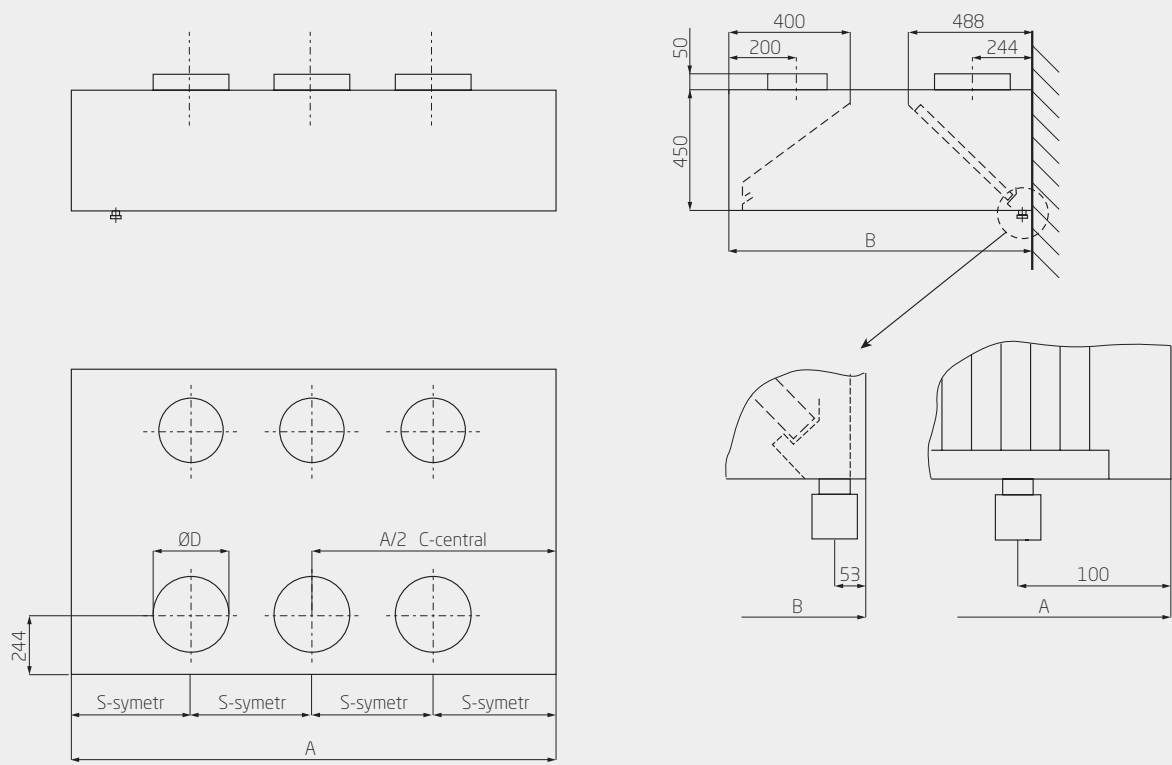
## Central extractor hood



### Wall mounted trapezoid extractor hood

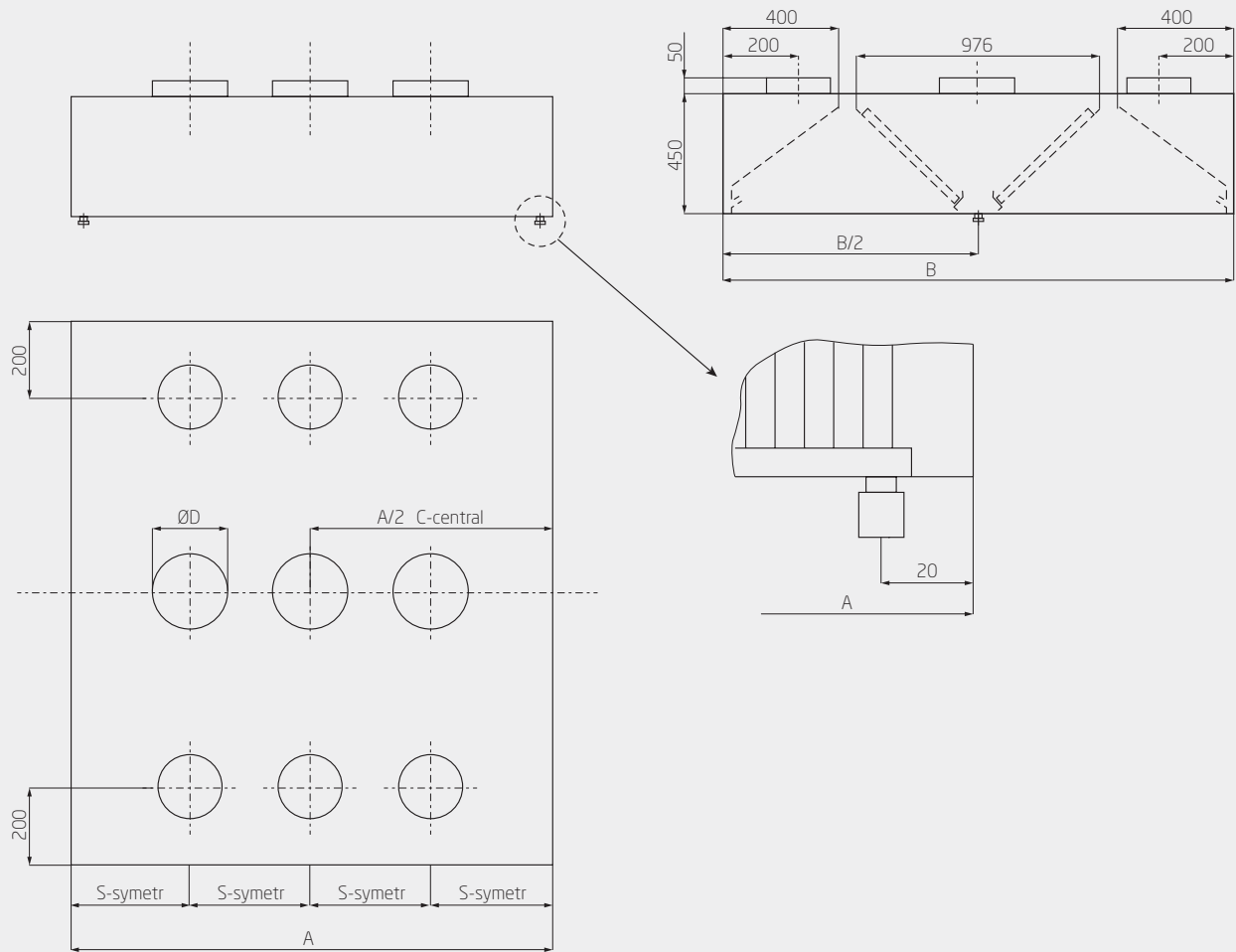


### Wall mounted air input - extractor hood

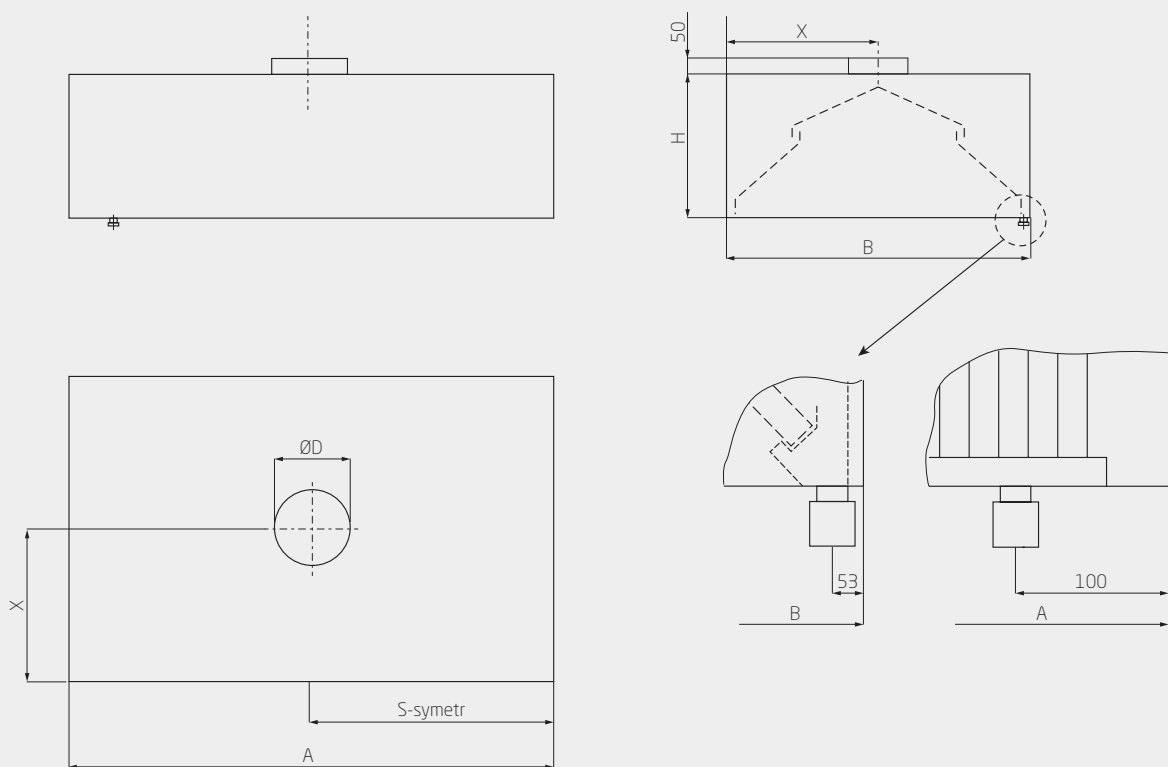




### Central air input - extractor hood



### Condensation hood



All prices quoted in the catalogue are net prices exclusive of VAT, to be added at the prevailing rate.

HENDI Food Service Equipment GmbH reserves the right to change prices or designs of the manufactured products and to withdraw them from sale.

The information contained in the catalogue does not constitute a commercial offer within the meaning of the law. All the prices and terms and conditions contained in the superseded edition of the catalogue cease to be valid upon publication of the new edition.

The images, drawings and models presented in the catalogue are for illustrative purposes only. Actual products may differ from those presented in the catalogue. HENDI Food Service Equipment GmbH accepts no liability for errors, misprints or omissions in the printing.

HENDI Food Service Equipment GmbH is not responsible for the proper selection of products, their dimensions, layout or diameters. Custom-made products will not be refunded, except for any defective products where the costs of repair are disproportionate to their value. The supplied products come with a 12-month warranty calculated from the date of sale. The foregoing does not apply to any elements made of AISI 304 grade steel which come with a 24-month warranty calculated from the date of sale.

The warranty covers only manufacturing defects. The warranty does not cover any products with mechanical, chemical or other damages caused through no fault of HENDI Food Service Equipment GmbH, caused in particular during transit or unloading, caused by improper use or resulting from natural wear and tear during operation, etc. The warranty does not cover any damage to furniture resulting from the use, cleaning or maintenance not conforming to the recommendations of HENDI Food Service Equipment GmbH.

The warranty also excludes any discolouration or residues of any kind due to normal wear and tear.

All terms of cooperation between HENDI Food Service Equipment GmbH and trading partners are set out in the General Terms and Conditions of Sale and Delivery published on the website [www.hendi.at](http://www.hendi.at).

All rights reserved. Unauthorised use is prohibited. Any reproduction, dissemination (whether in part or in whole) of the descriptions or photos contained in the catalogue without the permission of HENDI Food Service Equipment GmbH will be considered a copyright infringement.

The products presented in the catalogue comply with health and safety requirements.





**HENDI Food Service Equipment GmbH**  
Ehring 15 | 5112 Lamprechtshausen | Austria

office.see@hendi.eu  
+43 6274 200 100