

Drawing

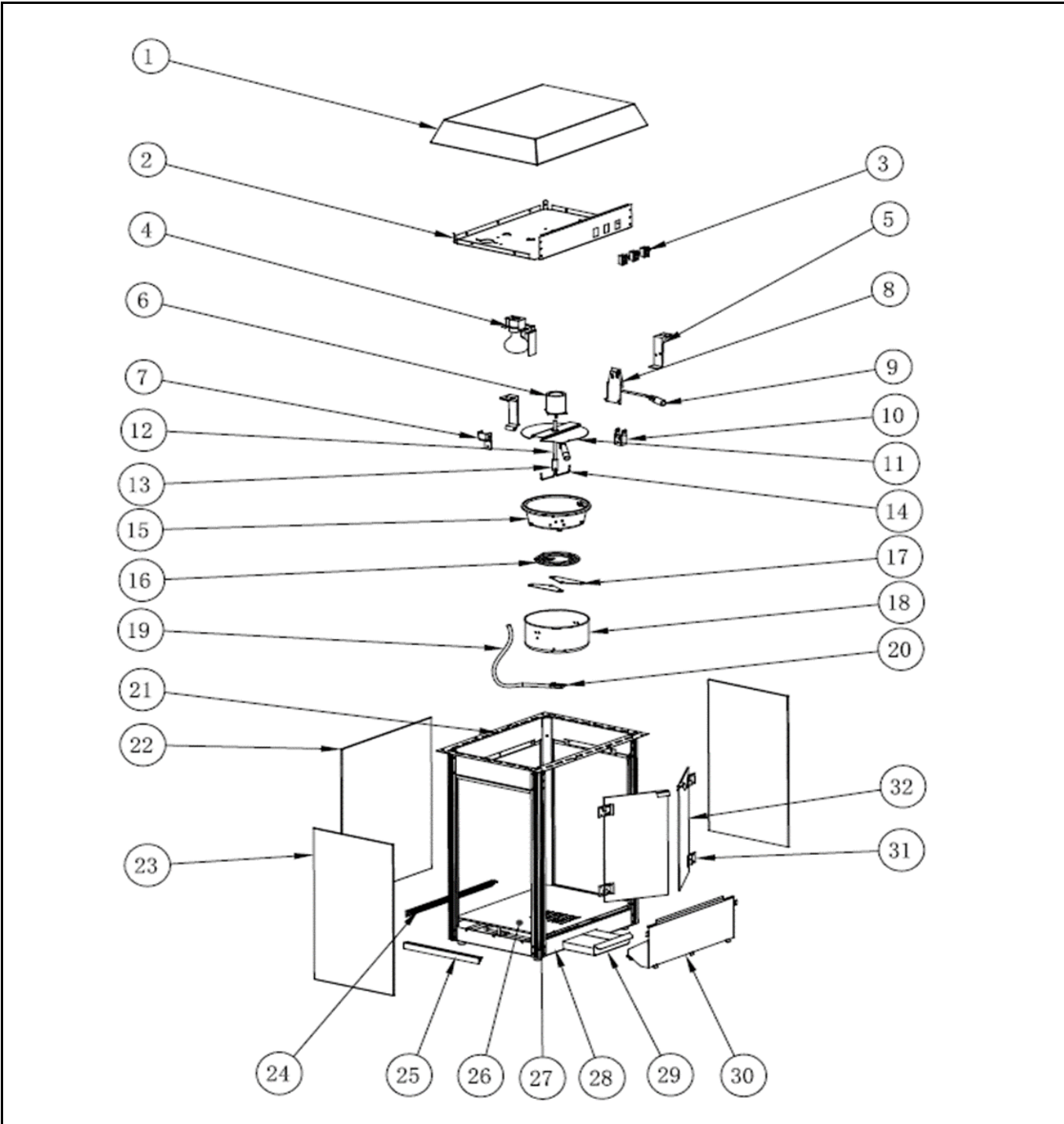


Tools for Chefs


Hendi B.V.
 Steenoven 21
 3911 TX Rhenen
 The Netherlands

Batch #	Appliance part#
000000 and up	282748
Description	
Popcorn machine	

Date	15-07-2021	Revision #	1.0
Revision	First Bill of Materials (BOM)		



Bill of materials (BOM)

 <b style="font-size: 24px; margin-left: 10px;">HENDI <small style="color: green; margin-left: 10px;">Tools for Chefs</small> Hendi B.V. Steenoven 21 3911 TX Rhenen The Netherlands	Batch #	Appliance part#
	000000 and up	282748
	Description	
Popcorn machine		


Date	15-07-2021	Revision #	1.0
Revision	First Bill of Materials (BOM)		

Item	Description	Part#	Quantity	Remark	Picture
1	Upper cover	n/a	1		
2	Upper bracket	n/a	1		
3	Switch	960578	4		
4	Lamp assembly	n/a	1		
*	Lamp (40W)	n/a	1	Obtain locally	
5	Kettle hinge	960653	2		
6	Motor	960646	1		
7	Kettle hinge lock	960660	1		
8	Kettle support	n/a	2		
9	Kettle handle	n/a	1		
10	Kettle lock	n/a	1		
11	Kettle lid	n/a	1		
12	Stirrer arm base	n/a	1		
13	Stirrer arm assembly	960677	1	Incl. item 14	
14	Stirrer blade	nss	1	Available as 13	
15	Aluminum kettle	n/a	1		
16	Heating element	960684	1		
17	Heating element cover	n/a	2		
18	Kettle cover	n/a	1		
19	Metal tube	n/a	1		
20	Metal tube bracket	n/a	1		
21	Frame	n/a	1		
22	Glass (back)	n/a	1		
23	Glass (sides)	n/a	1		
24	Glass bracket (back)	n/a	1		
25	Glass bracket (sides)	n/a	1		
26	Bottom cover	n/a	1		
27	Frame pillar	n/a	4		
28	Bottom frame	n/a	1		
29	Kernel tray	960691	1		
30	Door bracket	n/a	1		
31	Door hinge	960707	4		
32	Door	960714	2		
*	Heating element (keep warm)	960721	1	Not shown in drawing	
*	Fuse	960738	1	Not shown in drawing	

n/a -> not available

nss -> not sold separately

Circuit diagram

 HENDI Tools for Chefs Hendi B.V. Steenoven 21 3911 TX Rhenen The Netherlands	Batch #	Appliance part#
	000000 and up	282748
	Description	
	Popcorn machine	

Date	15-07-2021	Revision #	1.0
Revision	First Bill of Materials (BOM)		

