

Drawing



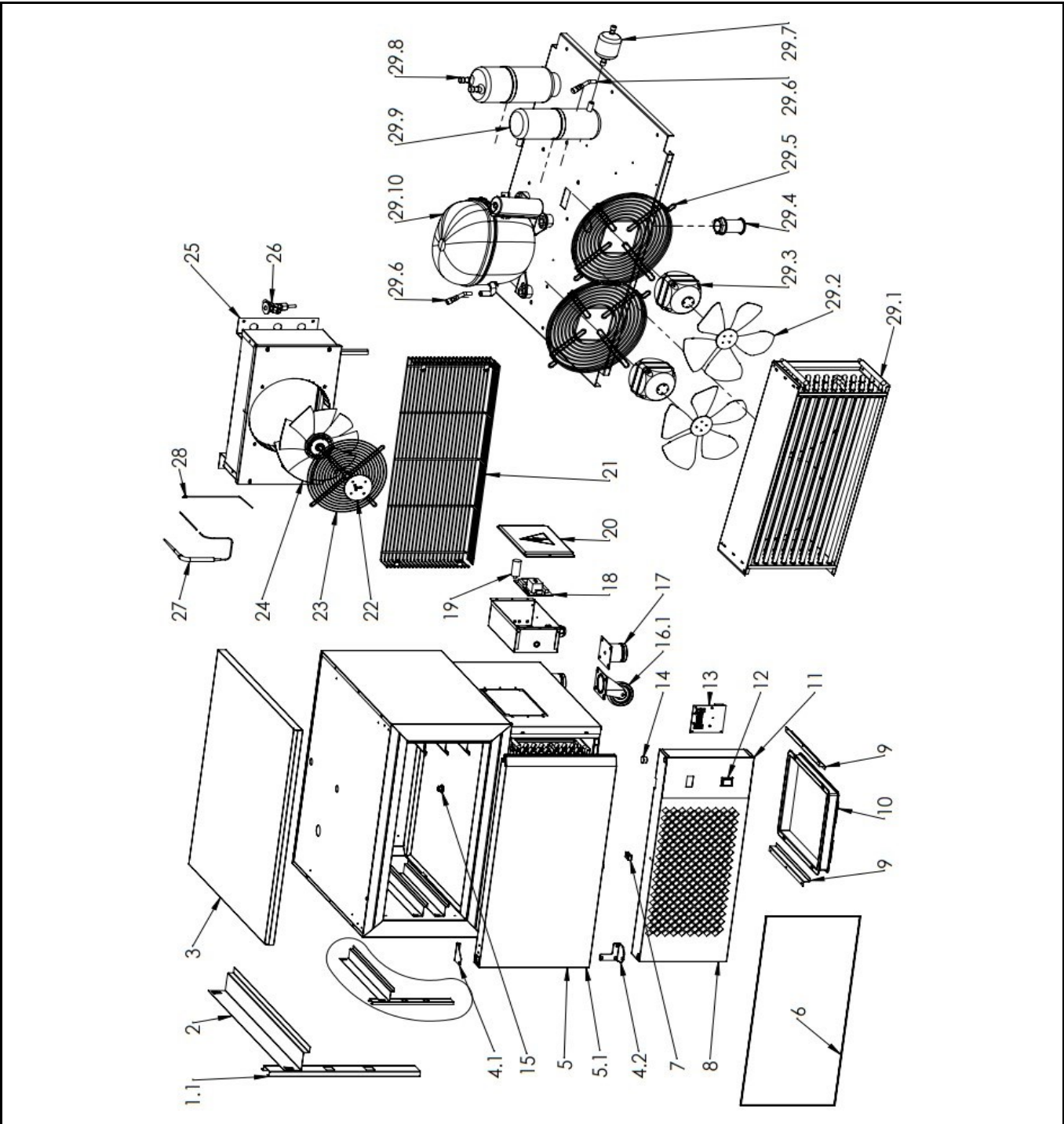
Tools for Chefs

Hendi B.V.
 Steenoven 21
 3911 TX Rhenen
 The Netherlands


| | |
|---------------------------------|-----------------|
| Batch # | Appliance part# |
| 000000 and up (from 01-2018) | 232170 |

| |
|--------------------------|
| Description |
| Blast Chiller 5 X GN 1/1 |

| | | | |
|----------|-----------------------------|------------|-----|
| Date | 14-02-2022 | Revision # | 1.0 |
| Revision | New model, added relais pcb | | |



Bill of materials (BOM)

| | | |
|---|---------------------------------|------------------------|
|  <b style="font-size: 24px; margin-left: 10px;">HENDI <small style="color: green; margin-left: 10px;">Tools for Chefs</small> Hendi B.V. Steenoven 21 3911 TX Rhenen The Netherlands | Batch # | Appliance part# |
| | 000000 and up (from 01-2018) | 232170 |
| | Description | |
| Blast Chiller 5 X GN 1/1 | | |

| | | | |
|-----------------|-----------------------------|-------------------|-----|
| Date | 14-02-2022 | Revision # | 1.0 |
| Revision | New model, added relais pcb | | |

| Item | Description | Part# | Quantity | Remark | Picture |
|-------|------------------------------|--------|----------|------------------------------|---------|
| 1,1 | Shelf holder bracket (right) | n/a | 2 | | |
| 1,2 | Shelf holder bracket (left) | n/a | 2 | | |
| 2 | Shelf holder | 943526 | 10 | | |
| 3 | Housing panel (top) | n/a | 1 | | |
| 4,1 | Door hinge (top) | n/a | 1 | | |
| 4,2 | Door hinge (bottom) | n/a | 1 | | |
| 5 | Door | n/a | 1 | | |
| 5,1 | Door closer | n/a | 1 | | |
| 6 | Door gasket | 948514 | 1 | | |
| 7 | Door sensor | 961964 | 1 | | |
| 8 | Front panel | n/a | 1 | | |
| 9 | Water tray guide | n/a | 2 | | |
| 10 | Water tray | n/a | 1 | | |
| 11 | Display sticker (Hendi) | 943571 | 1 | | |
| 12 | Switch | 205426 | 1 | | |
| 13 | Main PCB | 943533 | 1 | | |
| 14 | Housing plug (lower) | n/a | 1 | | |
| 15 | Housing plug (upper) | n/a | 1 | | |
| 16,1 | Wheel without brake | n/a | 2 | Not available for this model | |
| 16,2 | Wheel with brake | n/a | 2 | Not available for this model | |
| 17 | Foot | n/a | 4 | | |
| 18 | Relais PCB | 958926 | 1 | | |
| 19 | Capacitor (mains) | 958940 | 1 | | |
| 20 | Relais housing cover | n/a | 1 | | |
| 21 | Protective grid | n/a | 1 | | |
| 22 | Fan mount | n/a | 1 | | |
| 23 | Fan grid | n/a | 1 | | |
| 24 | Fan (evaporator) | 928905 | 1 | Ø 300mm | |
| 25 | Evaporator | n/a | 1 | | |
| 26 | Thermostatic valve | n/a | 1 | | |
| 27 | Core temperature probe | 943557 | 1 | | |
| 28 | Room temperature probe | 943540 | 1 | | |
| 29,1 | Condensor | n/a | 1 | | |
| 29,2 | Fan blade | n/a | 2 | | |
| 29,3 | Fan motor (condensor) | 951811 | 2 | | |
| 29,4 | Drain pipe | n/a | 1 | | |
| 29,5 | Fan grid | n/a | 2 | | |
| 29,6 | Coolant valve | n/a | 1 | | |
| 29,7 | Dryer filter | n/a | 1 | | |
| 29,8 | Liquid separator | n/a | 1 | | |
| 29,9 | Liquids receiver | n/a | 1 | | |
| 29,10 | Compressor | n/a | 1 | | |
| | | | | | |
| | | | | | |

n/a -> not available

nss -> not sold separately

Wiring diagram



Hendi B.V.
 Steenoven 21
 3911 TX Rhenen
 The Netherlands

Tools for Chefs

Batch #

000000 and up
 (from 01-2018)

Appliance part#

232170

Description

Blast Chiller 5 X GN 1/1

Date 14-02-2022

Revision #

1.0

Revision New model, added relais pcb

Number of fanmotors may differ per model

