

Drawing

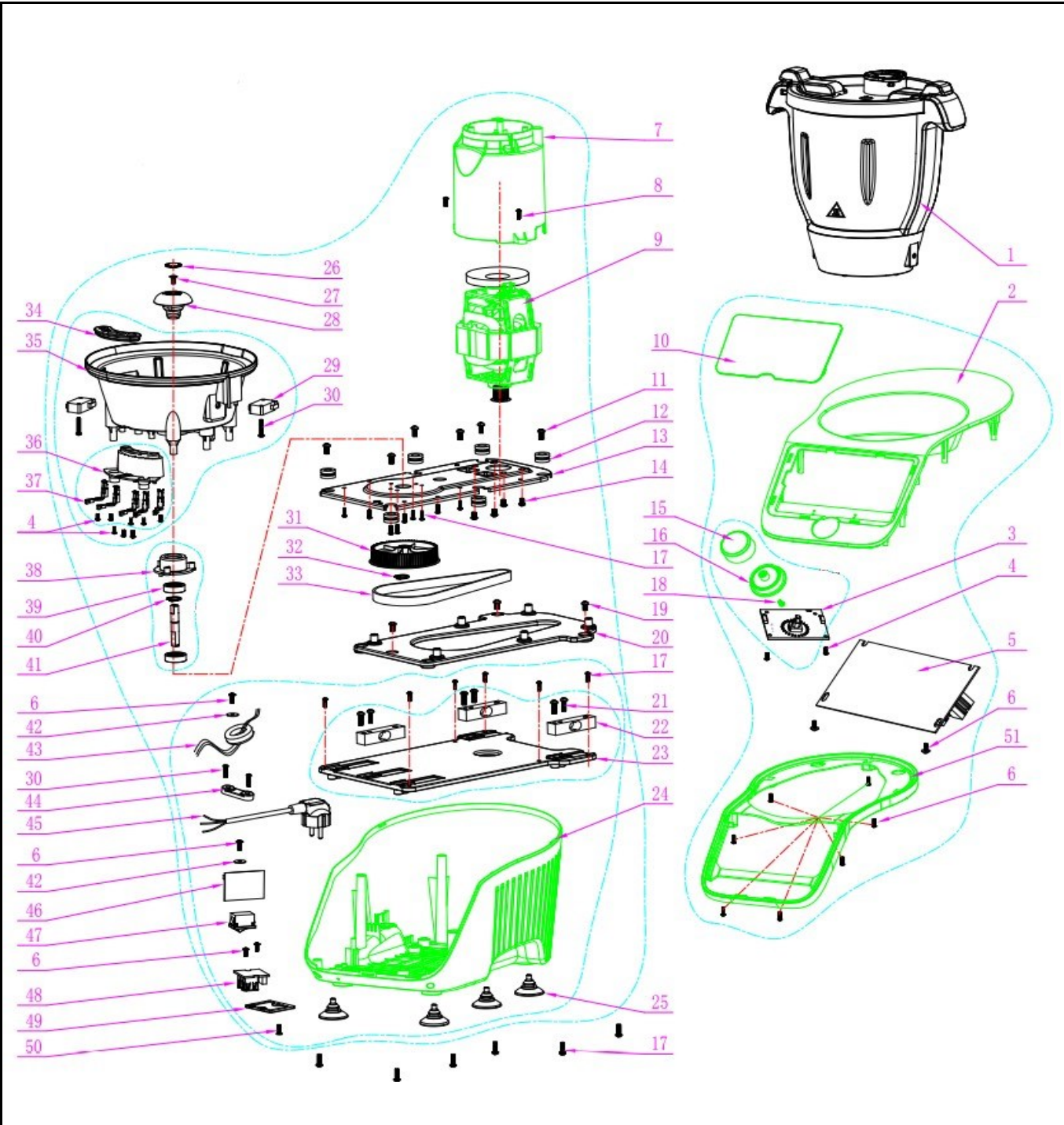


Tools for Chefs


Hendi B.V.
 Steenoven 21
 3911 TX Rhenen
 The Netherlands

Batch #	Appliance part#
000000 and up	221761
Description	
Multifunctional food processor	

Date	26-07-2023	Revision #	1.0
Revision	First Bill of Materials (BOM)		



Bill of materials (BOM)

 <p>Hendi B.V. Tools for Chefs Steenoven 21 3911 TX Rhenen The Netherlands</p>	Batch #	Appliance part#
	000000 and up	221761
	Description	
	Multifunctional food processor	

Date	26-07-2023	Revision #	1.0
Revision	First Bill of Materials (BOM)		

Item	Description	Part#	Quantity	Remark	Picture
1	Bowl assembly	nss	1	See drawing 2	
2	Housing cover (top)	n/a	1		
3	Selector switch PCB	926527	1		
4	Screw	n/a	10		
5	Main PCB	962534	1		
6	Screw	n/a	13		
7	Motor housing	n/a	1		
8	Screw	n/a	2		
9	Motor	962541	1		
10	Display glass	n/a	1		
11	Screw	n/a	6		
12	Anti-vibration pad	n/a	6		
13	Motor bracket	n/a	1		
14	Screw	n/a	4		
15	Knob	962558	1	Incl. item 16	
16	Knob base	nss	1	Available as 962558	
17	Screw (3.5x12mm)	n/a	21		
18	Screw (2x6mm)	n/a	1		
19	Screw (5x12mm)	n/a	3		
20	Counterweight board	n/a	1		
21	Screw (4x20mm)	n/a	6		
22	Weight sensor	n/a	3		
23	Bracket	n/a	1		
24	Housing cover (bottom)	n/a	1		
25	Feet	962565	4	Set of 4 pcs	
26	Screw cover	nss	1	Available as 962572	
27	Screw (M4x8)	nss	1	Available as 962572	
28	Clutch	962572	1	Incl. item 27 and 27	
29	Microswitch	n/a	1		
30	Screw (3x18mm)	n/a	4		
31	Pulley (large)	964026	1		
32	Circlip Ø7.4mm	n/a	1		
33	Drive belt (HTD3587-3M-W10mm)	962589	1		
34	Silicone plug	n/a	1		
35	Bowl base	n/a	1		
36	Terminal bracket	n/a	1		
37	Terminal	n/a	5		
38	Bearing bracket	n/a	1		
39	Bearing	n/a	2		
40	Circlip Ø6.0mm	n/a	1		
41	Axle	n/a	1		
42	Washer	n/a	2		
43	Ferrite ring	n/a	1		
44	Pull relief	n/a	1		
45	Power cord	n/a	1		
46	Weight sensor PCB	964033	1		
47	Switch	964040	1		
48	USB PCB	n/a	1		
49	USB cover	n/a	1		
50	Screw (3x10mm)	n/a	1		
51	Housing ring	n/a	1		

n/a -> not available

nss -> not sold separately

Drawing



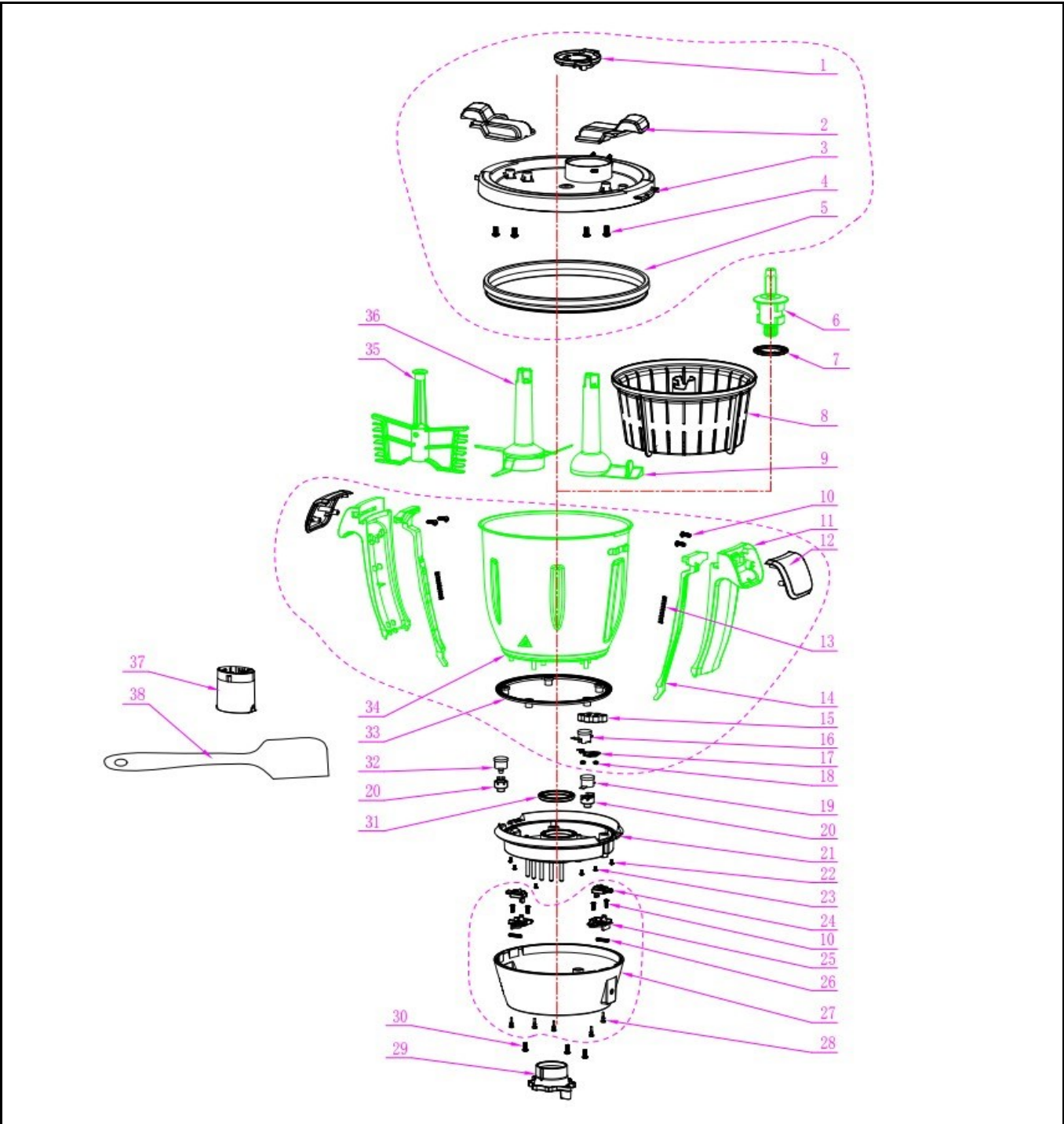
Tools for Chefs

Hendi B.V.
 Steenoven 21
 3911 TX Rhenen
 The Netherlands


Batch #	Appliance part#
000000 and up	221761

Description
Multifunctional food processor

Date	26-07-2023	Revision #	1.0
Revision	First Bill of Materials (BOM)		



Bill of materials (BOM)

 <b style="font-size: 24px; margin-left: 10px;">HENDI <small style="color: green; margin-left: 10px;">Tools for Chefs</small> Hendi B.V. Steenoven 21 3911 TX Rhenen The Netherlands	Batch #	Appliance part#
	000000 and up	221761
	Description	
	Multifunctional food processor	

Date	26-07-2023	Revision #	1.0
Revision	First Bill of Materials (BOM)		

Item	Description	Part#	Quantity	Remark	Picture
1	Filler lid	964064	1		
2	Lid handle	n/a	2		
3	Lid	n/a	1		
4	Screw (3.5x12mm)	n/a	4		
5	Lid seal	964071	1		
A	Blender bowl lid complete	964057	1	Incl. Item 1, 2, 3, 4 and 5	
6	Knife axle	962602	1		
7	Knife axle seal	964088	1		
8	Steam basket	964095	1		
9	Stirring paddle	962619	1		
10	Screw (3x8mm)	n/a	8		
11	Bowl handle	n/a	2		
12	Bowl handle cover	n/a	2		
13	Safe guard spring	n/a	2		
14	Safety pole	n/a	2		
15	Cover plate	n/a	1		
16	Clixon (250V/16A, 165°C)	n/a	1		
17	Bracket	n/a	1		
18	Nut (M3)	n/a	2		
19	Clixon (250V/10A, 165°C)	n/a	1		
20	Clixon bracket	n/a	2		
21	Decorative ring	n/a	1		
22	Screw (3X8mm)	n/a	5		
23	Screw (3x8mm)	n/a	1		
24	Pin	n/a	2		
25	Pin bracket	n/a	2		
26	Pin spring	n/a	2		
27	Bowl housing	n/a	1		
28	Anti vibration pad	n/a	5		
29	Knife axle base	962626	1		
30	Screw (5X12mm)	n/a	3		
31	Heating element seal (small)	n/a	1		
32	Clixon (250v/16A, 220°C)	n/a	1		
33	Heating element seal (large)	n/a	1		
34	Bowl	n/a	1		
35	Whisk	962633	1		
36	Cutting unit	962640	1		
37	Measuring cup	964101	1		
38	Scraper	n/a	1		

n/a -> not available

nss -> not sold separately

Drawing



Tools for Chefs

Hendi B.V.

Steenoven 21
3911 TX Rhenen
The Netherlands

Batch #

000000 and up

Appliance part#

221761

Description

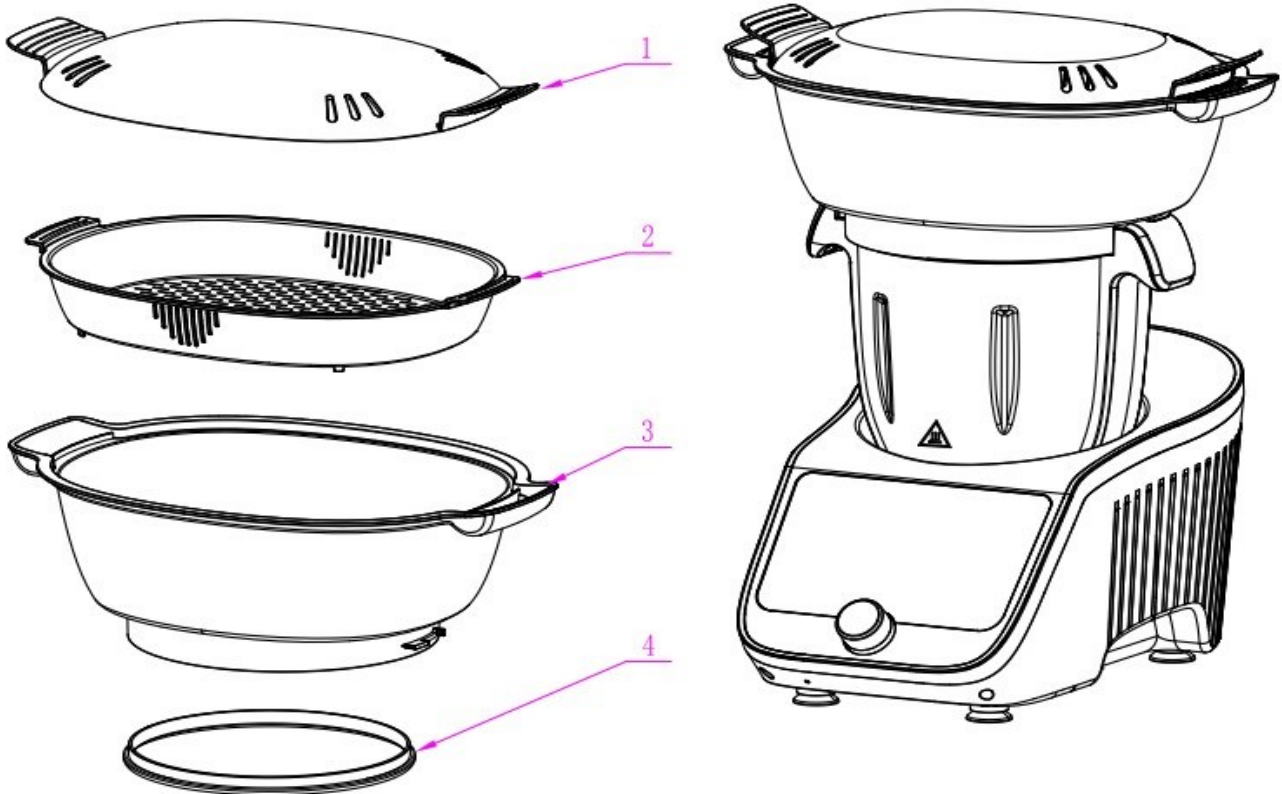
Multifunctional food processor

Date 26-07-2023


Revision #

1.0

Revision First Bill of Materials (BOM)



Bill of materials (BOM)

 HENDI <small>Tools for Chefs</small> Hendi B.V. Steenoven 21 3911 TX Rhenen The Netherlands	Batch #	Appliance part#
	000000 and up	221761
	Description	
Multifunctional food processor		

Date	26-07-2023	Revision #	1.0
Revision	First Bill of Materials (BOM)		

Item	Description	Part#	Quantity	Remark	Picture
1	Steamer lid	nss	1		
2	Steamer container	nss	1		
3	Steamer body	nss	1		
4	Steamer ring	nss	1		
B	Steamer assembly	964118	1	Incl. item 1, 2, 3 and 4	

n/a -> not available

nss -> not sold separately

Drawing



Tools for Chefs

Hendi B.V.
Steenoven 21
3911 TX Rhenen
The Netherlands

Batch #

000000 and up

Appliance part#

221761

Description

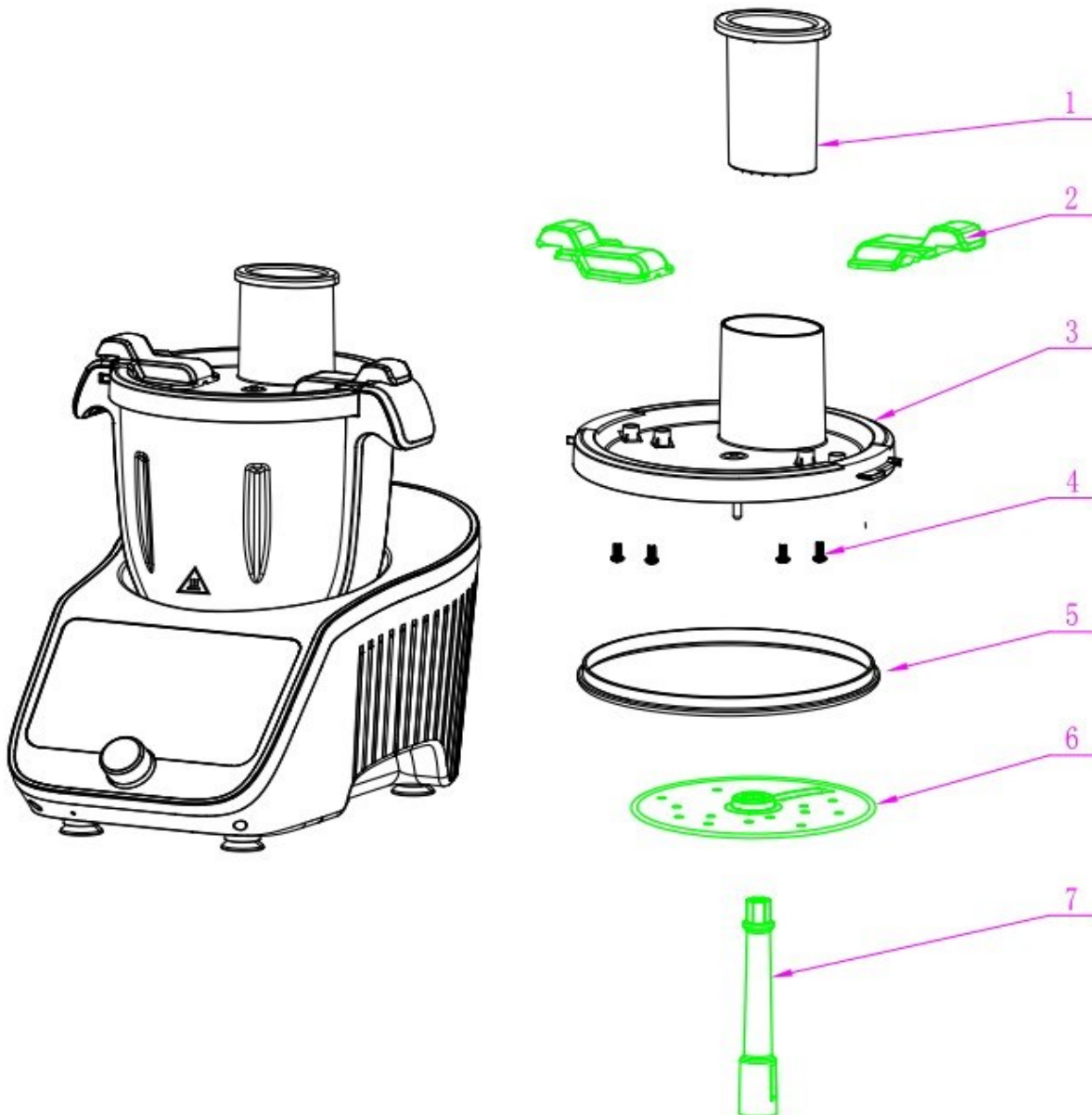
Multifunctional food processor

Date 26-07-2023


Revision #

1.0

Revision First Bill of Materials (BOM)



Bill of materials (BOM)

 HENDI Tools for Chefs Hendi B.V. Steenoven 21 3911 TX Rhenen The Netherlands	Batch #	Appliance part#
	000000 and up	221761
	Description	
	Multifunctional food processor	

Date	26-07-2023	Revision #	1.0
Revision	First Bill of Materials (BOM)		

Item	Description	Part#	Quantity	Remark	Picture
1	Pusher	964125	1		
2	Lid handle	nss	2		
3	Lid	nss	1		
4	Screw (3.5X12mm)	nss	4		
5	Lid gasket	964149	1		
C	Lid complete	964132	1	Incl. item 1, 2, 3, 4 and 5	
6	Cutting disc	962657	1		
7	Driveshaft	962664	1		

n/a -> not available

nss -> not sold separately