

Drawing



Tools for Chefs

Hendi B.V.
Steenoven 21
3911 TX Rhenen
The Netherlands

Batch #

V.01

Appliance part#

204962

Description

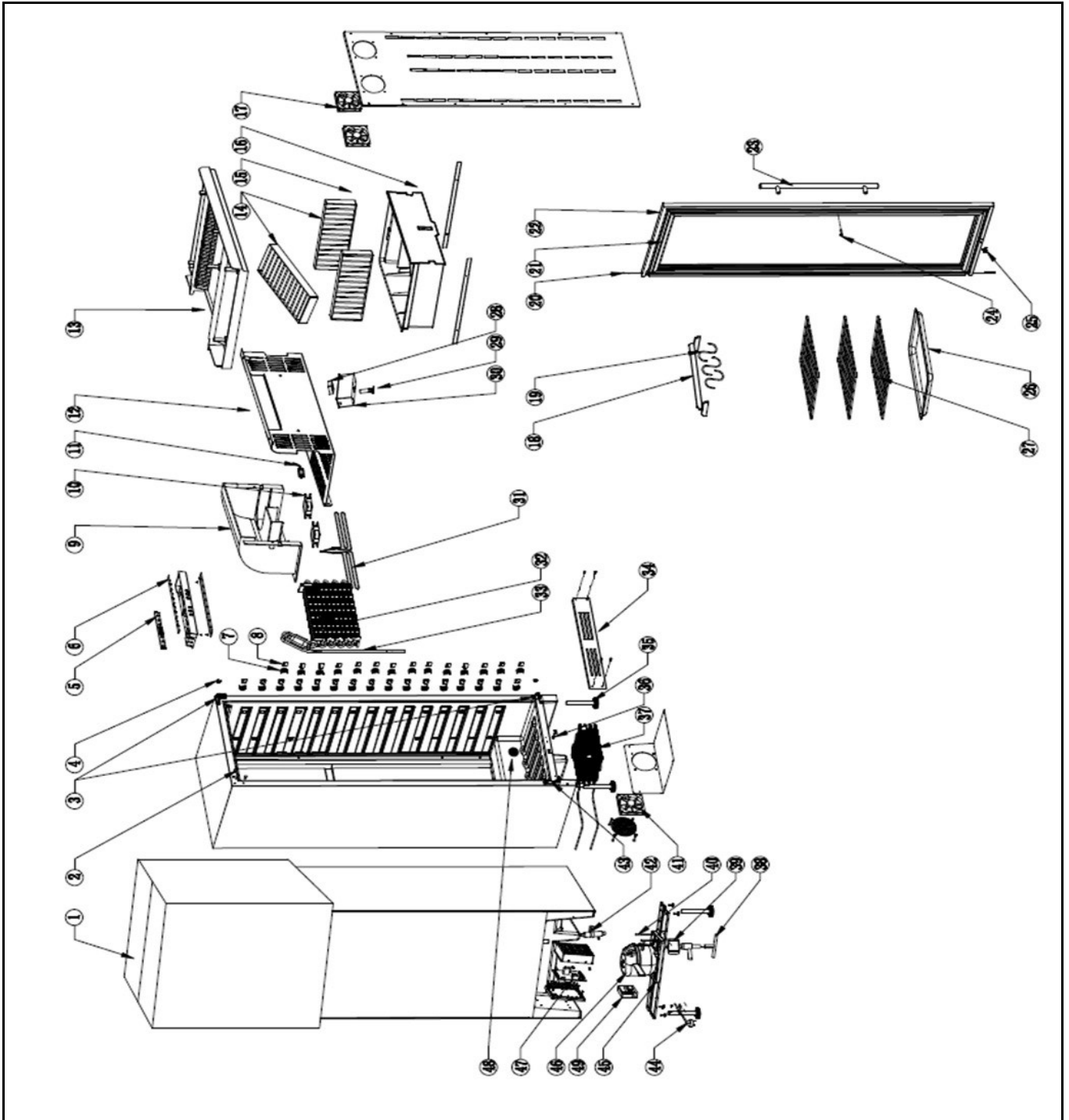
Meat Ager

Date 24-05-2023


Revision #

V.01

Revision First Bill of Materials (BOM)



Bill of materials (BOM)

 <b style="font-size: 24px; margin-left: 10px;">HENDI <small style="color: green; margin-left: 10px;">Tools for Chefs</small> Hendi B.V. Steenoven 21 3911 TX Rhenen The Netherlands	Batch #	Appliance part#
	V.01	204962
	Description	
	Meat Ager	


Date	24-05-2023	Revision #	V.01
Revision	First Bill of Materials (BOM)		

Item	Description	Part#	Quantity	Remark	Picture
1	Packaging	n/a	1		
2	Mountpoint (M5)	n/a	4		
3	Door hinge (top + bottom)	963449	1	Includes lower hinge	
4	Door stop	n/a	2		
5	Control PCB	963456	1		
6	LED light (top)	963463	1		
7	LED light cover (side)	963470	26		
8	LED light (side)	963487	26		
9	Fan bracket (top)	n/a	1		
10	Humidification fan	963494	2		
11	Hunidification sensor assembly	963500	1		
12	Housing cover A (top)	n/a	1		
13	Housing cover B (top)	n/a	1		
14	Humidification sponge set	963517	1		
15	Water container	963524	1		
16	Guide rails set for water container	963531	1	left and right rails	
17	Cooling fan	963548	2		
18	Rod	n/a	1		
19	Hook	963555	3		
20	Door axle	nss	1		
21	Door gasket	963562	1		
22	Door	nss	1		
23	Door handle	963579	1		
24	Door lock	nss	1		
25	Door magnet A	nss	1		
A	Door assembly	963586	1	Incl. item 21, 22 and 24	
26	Salt tray	963593	1		
27	Shelf	963609	3		
28	Ventilation fan	963616	1		
29-A	UV Light	963623	1		
29-B	UV light base	n/a	1		
30	UV light assembly	n/a	1		
31	Heating element	963630	1		
32	Evaporator	n/a	1		
33	Coolant tube	n/a	1		
34	Lower housing cover	n/a	1		
35	Feet	963647	4	Set of 4 pcs	
36	Door magnet B	n/a	1		
37	Condenser	n/a	1		
38	Coolant tube	n/a	1		
39	Solenoid valve	n/a	1		
40	Coolant tube	n/a	1		
41	Condenser fan	963654	1		
42	Dryer filter	n/a	1		
43	Safety device	n/a	1		
44	Power cord	n/a	1		
45	Re-evaporation container	n/a	1		
46	Compressor	963661	1		
47	Main PCB	963678	1		
48	Charcoal filter	963685	1		
49	Compressor inverter PCB	963692	1		

n/a -> not available

nss -> not sold separately

Wiring diagram

 <b style="font-size: 24px; margin-left: 10px;">HENDI Tools for Chefs Hendi B.V. Steenoven 21 3911 TX Rhenen The Netherlands	Batch #	Appliance part#
	V.01	204962
	Description	
	Meat Ager	

Date	24-05-2023	Revision #	V.01
Revision	First Bill of Materials (BOM)		

